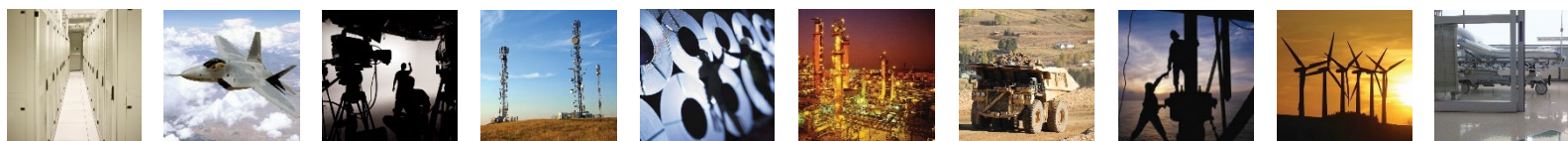


QMini Expanded Beam Connectors



QPC is ISO 9001:2015 and
AS9100D Certified

Military Aerospace Shipboard Industrial Mining Transportation Oil & Gas Broadcast Manufacturing Marine Energy Medical



Contents	
Product Introduction	Page 1
Specifications	Page 2
Part Number Builders	Page 3 - 7
Plug Line Drawings	Page 8 - 14
Receptacle Line Drawings	Page 15 - 34
Receptacle & LC Adapter Panel Cutouts	Page 35
Termini, Accessories & Tools	Page 36 - 38

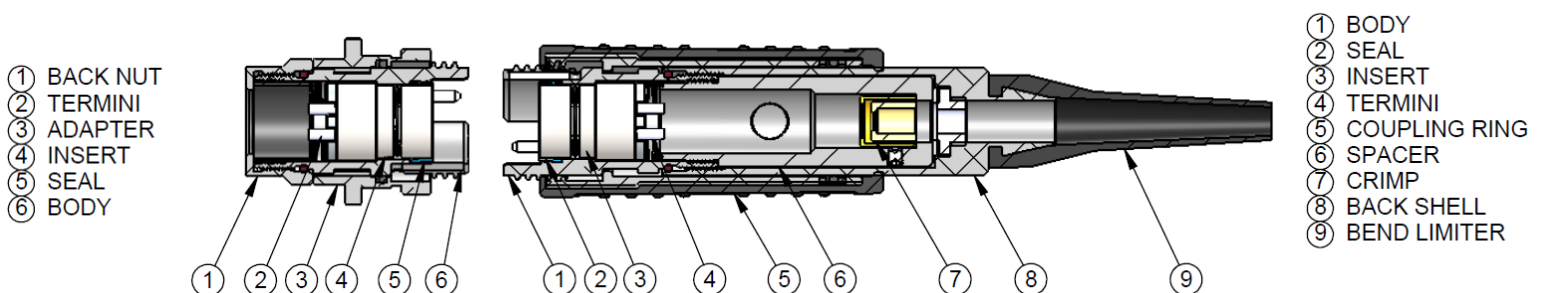


QPC's QMini Expanded Beam Fiber Optic Connectors are designed to meet the requirements of MIL-DTL-83526/20 & /21 Military Specifications. Expanded Beam fiber optic connectors are designed to operate in harsh environments, using non-physical contact fiber optic termini that are positioned behind an anti-reflective coated ball lens. This lens expands the beam to many times its original size aiding optical alignment and minimizing the effects of dust, debris, vibration, and other environmental conditions. Because there is no wear on the optical surfaces / end faces of the termini during use, the QMini connector has excellent durability, in excess of 3,000 mating cycles, providing a long service life interconnect solution.

QMini is a hermaphroditic connector allowing multiple plug-to-plug cable assemblies to be combined to extend the length of a system. These connectors are available with two or four channels and with singlemode or multimode lenses. In addition to the standard plugs and receptacles, QPC offers 45 and 90 Degree Backshell options, and a Low Profile Backshell for Receptacles for applications with space constraints. A QMini Receptacle to LC Adapter is also offered which provides a QMini interface on one end and LC Duplex on the other.

QMini Connectors are used in Military, Aerospace, Defense, Mining, Factory Automation, Heavy Equipment, Marine, Broadcast, Entertainment, and Pro-Audio for Communications, Audio / Video, and Sensing Applications.

- 2Ch / 4Ch Hermaphroditic Expanded Beam Connector System
- Plugs: With and without Rubber Grip, with Straight, 45, or 90 Degree Backshells
- Receptacles: Jam Nut, Flange Mount, and XLR Compatible Flange Mount, with or without Backshells, QMini to LC adapter
- Standard Cable OD up to 7.5mm, Extended Heat Shrink Strain Relief up to 10.5mm
- 2mm Crimps or Epoxy Cup Termini Available to Terminate 2mm Simplex Cables directly to a Receptacle without a Backshell
- Designed to MIL-DTL-83526/20 (Plug) & MIL-DTL-83526/21 (Jam Nut Receptacle)
- Intermateability: Tyco Pro Beam Jr., Amphenol TACBeam, Glenair GMA, Stratos HMA, Fibreco Junior, DiGiCo Compatible
- Sealed to IP68



Specifications:

Insertion Loss: SM (9/125µm)	0.75-2.0dB Max.
MM (50/125µm)	0.50-1.5dB Max.
MM (62.5/125µm)	0.50-1.5dB Max.
Return Loss: SM (9/125µm)	-34dB
Operating Temperature:	-46°C to +85°C
Vibration:	10 to 2000Hz / 10g, EIA/TIA-455-11, Condition III and 10 to 2000Hz / 20g / 9g RMS Avg, EIA/TIA-455-11, Condition IV
Mating Durability:	3000 Cycles
Impact:	8 Impacts @ 8FT (2.5MT), EIA/TIA-455-2
Shock:	50g for 11ms, EIA/TIA-455-14, Condition A
IP Rating:	QMini, QMini45S, QMini90S Plugs and Receptacles with Backshells: IP68 - Dust Tight, No ingress of dust; complete protection against contact, Water Immersion, 1m Testing Conditions & Duration – Plug with Dust Cover and Mated Plug / Receptacle, 3 Meters for 24 Hours QMini90 Plugs, QMini Low Profile Receptacles, QMini LC Adapters, and QMini Receptacles without Backshells: IP50 - Dust Protected, Limited ingress of dust; Complete protection against contact
Material & Plating Specification:	Black Hard Anodize: 6061-T6 Aluminum; Anodize per MIL-A-8625 TYPE III CLASS 2, .0022/.0018 Thick (50% Penetration), Black Stainless Steel: 303 Stainless Steel; PASSIVATE PER QQ-P-35 Olive Drab Zinc-Nickel: 6061-T6 Aluminum; Zinc-Nickel Followed by Olive Drab Chromate per AMS-2417 Electroless Nickel Plate .0003 to .00035 thickness as per AMS-C-26074 Alkaline Zinc-Nickel Plate .0003 to .0004 thickness as per AMS 2417 "H" TY 2 Zinc Strike - .00005 - .000150 Thickness per ASTM B 633 "11" Dark Green Olive Drab Chromate Black Zinc-Nickel: 6061-T6 Aluminum; Zinc-Nickel Followed by Black Chromate per AMS-2417 Electroless Nickel Plate .0003 to .00035 thickness as per AMS-C-26074 Alkaline Zinc-Nickel Plate .0003 to .0004 thickness as per AMS 2417 "H" TY 2 Zinc Strike - .00005 - .000150 Thickness per ASTM B 633 "11" Black Chromate

Specifications Notes:

* All Dimensions in this document are shown in Inches (Millimeters)

Part Number Builder - QMini Plugs and Receptacles:

Sample Part Number: QMINI-PHHN-02SM-S75	QMINI	-	PHH	N	-	02	SM	-	S75
1 Series QMINI									
2 Product Type PHH - PLUG, W/ RUBBER GRIP, COMPOSITE DUST COVER PEE - PLUG, W/ METAL COUPLING RING, METAL DUST COVER RFH - RECP FLANGE MOUNT, COMPOSITE DUST COVER RFE - RECP FLANGE MOUNT, METAL DUST COVER RJH - RECP JAM NUT, COMPOSITE DUST COVER RJE - RECP JAM NUT, METAL DUST COVER RXH - RECP FLANGE MOUNT RX, COMPOSITE DUST COVER RXE - RECP FLANGE MOUNT RX, METAL DUST COVER									
3 Material & Finish Code N - ALUMINUM, HARD ANODIZE, BLACK S - STAINLESS STEEL, PASSIVATED Z - ALUMINUM, ZINC OVER NICKEL, OLIVE DRAB K - ALUMINUM, ZINC OVER NICKEL, BLACK (CONSULT QPC FOR OTHER OPTIONS)									
4 Channel Count 02 - 2 CHANNEL, 2x 125.5µm TERMINI 04 - 4 CHANNEL, 4x 125.5µm TERMINI 00 - NO INSERT OR TERMINI (MUST BE ORDERED WITH STRAIN RELIEF "SXX" or "S10X")*									
5 Fiber Type SM - SINGLEMODE, 1310/1550nm MM - MULTIMODE, 850/1300nm XX - NO INSERT OR TERMINI (MUST BE ORDERED WITH STRAIN RELIEF "SXX" or "S10X")*									
6 Strain Relief S00 - NO BACKSHELL, NO CRIMPS (FOR 900µm BUFFER FIBER) (RECEPTACLE ONLY) S02 - NO BACKSHELL, 2mm CRIMPS (FOR 2mm BUFFER JACKET) (RECEPTACLE ONLY) SE2 - NO BACKSHELL, EPOXY CUP TERMINI FOR 2MM CABLE OD (RECEPTACLE ONLY) S45 - STRAIN RELIEF FOR 3.6mm TO 4.5mm OD CABLE S55 - STRAIN RELIEF FOR 4.6mm TO 5.5mm OD CABLE S65 - STRAIN RELIEF FOR 5.6mm TO 6.5mm OD CABLE S75 - STRAIN RELIEF FOR 6.6mm TO 7.5mm OD CABLE S105 - HEAT SHRINK STRAIN RELIEF FOR 7.6mm TO 10.5mm OD CABLE SXX - NO CABLE INTERFACE KIT, STANDARD STRAIN RELIEF (MUST BE ORDERED WITH CHANNEL COUNT "00" AND FIBER TYPE "XX")* S10X - NO CABLE INTERFACE KIT, HEAT SHRINK STRAIN RELIEF (MUST BE ORDERED WITH CHANNEL COUNT "00" AND FIBER TYPE "XX")*									

Part Number Builder Notes:

* For Spare Termini, Insert, and Cable Interface Kit ordering information, see Pages 36 - 38

Part Number Builder - QMini Plugs and Receptacles with 45° and 90° Sealed Backshells:

Sample Part Number: QMINI90S-PEHN-02SM-S75	QMINI90S	-	PEH	N	-	02	SM	-	S75
1 Series QMINI45S QMINI90S									
2 Product Type PEH - PLUG, W/ METAL COUPLING RING, COMPOSITE DUST COVER PEE - PLUG, W/ METAL COUPLING RING, METAL DUST COVER RJH - RECP JAM NUT, COMPOSITE DUST COVER RJE - RECP JAM NUT, METAL DUST COVER									
3 Material & Finish Code N - ALUMINUM, HARD ANODIZE, BLACK S - STAINLESS STEEL, PASSIVATED Z - ALUMINUM, ZINC OVER NICKEL, OLIVE DRAB K - ALUMINUM, ZINC OVER NICKEL, BLACK (CONSULT QPC FOR OTHER OPTIONS)									
4 Channel Count 02 - 2 CHANNEL, 2x 125.5µm TERMINI 04 - 4 CHANNEL, 4x 125.5µm TERMINI 00 - NO INSERT OR TERMINI (MUST BE ORDERED WITH STRAIN RELIEF "SXX" or "S10X")*									
5 Fiber Type SM - SINGLEMODE, 1310/1550nm MM - MULTIMODE, 850/1300nm XX - NO INSERT OR TERMINI (MUST BE ORDERED WITH STRAIN RELIEF "SXX" or "S10X")*									
6 Strain Relief S45 - STRAIN RELIEF FOR 3.6mm TO 4.5mm OD CABLE S55 - STRAIN RELIEF FOR 4.6mm TO 5.5mm OD CABLE S65 - STRAIN RELIEF FOR 5.6mm TO 6.5mm OD CABLE S75 - STRAIN RELIEF FOR 6.6mm TO 7.5mm OD CABLE S105 - HEAT SHRINK STRAIN RELIEF FOR 7.6mm TO 10.5mm OD CABLE SXX - NO CABLE INTERFACE KIT, STANDARD STRAIN RELIEF (MUST BE ORDERED WITH CHANNEL COUNT "00" AND FIBER TYPE "XX")* S10X - NO CABLE INTERFACE KIT, HEAT SHRINK STRAIN RELIEF (MUST BE ORDERED WITH CHANNEL COUNT "00" AND FIBER TYPE "XX")*									

Part Number Builder Notes:

* For Spare Termini, Insert, and Cable Interface Kit ordering information, see Pages 36 - 38

Part Number Builder - QMini Plugs with 90° Backshells (Pro Audio Design):

Sample Part Number: QMINI90-PEHN-02SM-S75		QMINI90	-	PEH		N	-	02		SM	-	S75
1	Series QMINI90											
2	Product Type PEH - PLUG, W/ METAL COUPLING RING, COMPOSITE DUST COVER PEE - PLUG, W/ METAL COUPLING RING, METAL DUST COVER											
3	Material & Finish Code N - ALUMINUM, HARD ANODIZE, BLACK S - STAINLESS STEEL, PASSIVATED (CONSULT QPC FOR OTHER OPTIONS)											
4	Channel Count 02 - 2 CHANNEL, 2x 125.5µm TERMINI 04 - 4 CHANNEL, 4x 125.5µm TERMINI 00 - NO INSERT OR TERMINI (MUST BE ORDERED WITH STRAIN RELIEF "SXX")*											
5	Fiber Type SM - SINGLEMODE, 1310/1550nm MM - MULTIMODE, 850/1300nm XX - NO INSERT OR TERMINI (MUST BE ORDERED WITH STRAIN RELIEF "SXX")*											
6	Strain Relief S45 - STRAIN RELIEF FOR 3.6mm TO 4.5mm OD CABLE S55 - STRAIN RELIEF FOR 4.6mm TO 5.5mm OD CABLE S65 - STRAIN RELIEF FOR 5.6mm TO 6.5mm OD CABLE S75 - STRAIN RELIEF FOR 6.6mm TO 7.5mm OD CABLE SXX - NO CABLE INTERFACE KIT (MUST BE ORDERED WITH CHANNEL COUNT "00" AND FIBER TYPE "XX")*											

Part Number Builder Notes:

* For Spare Termini, Insert, and Cable Interface Kit ordering information, see Pages 36 - 38



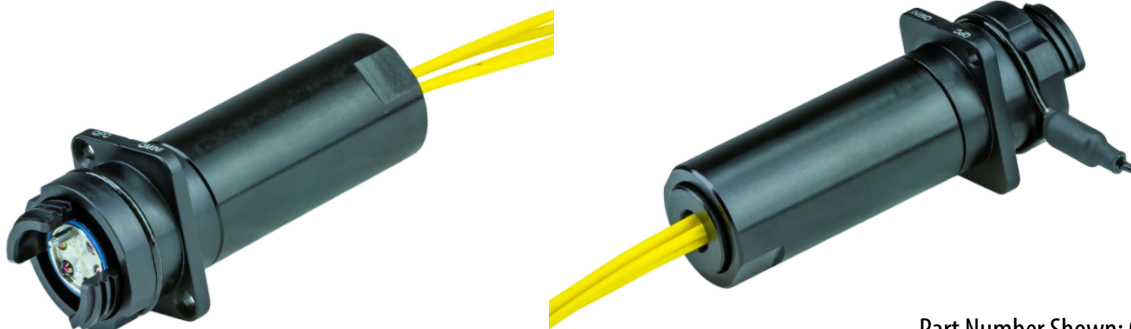
Part Number Shown: QMINI90-PEHN-04SM-S75

Part Number Builder - QMini Receptacle with Low Profile Backshells:

Sample Part Number: QMINI-RFHN-02SM-L42	QMINI	-	RFH	N	-	02	SM	-	L42
1 Series QMINI									
2 Product Type RFH - RECP FLANGE MOUNT, COMPOSITE DUST COVER RFE - RECP FLANGE MOUNT, METAL DUST COVER RJH - RECP JAM NUT, COMPOSITE DUST COVER RJE - RECP JAM NUT, METAL DUST COVER RXH - RECP FLANGE MOUNT RX, COMPOSITE DUST COVER RXE - RECP FLANGE MOUNT RX, METAL DUST COVER									
3 Material & Finish Code N - ALUMINUM, HARD ANODIZE, BLACK S - STAINLESS STEEL, PASSMATED Z - ALUMINUM, ZINC OVER NICKEL, OLIVE DRAB K - ALUMINUM, ZINC OVER NICKEL, BLACK (CONSULT QPC FOR OTHER OPTIONS)									
4 Channel Count 02 - 2 CHANNEL, 2x 125.5µm TERMINI 04 - 4 CHANNEL, 4x 125.5µm TERMINI 00 - NO INSERT OR TERMINI (MUST BE ORDERED WITH STRAIN RELIEF "LXX")*									
5 Fiber Type SM - SINGLEMODE, 1310/1550nm MM - MULTIMODE, 850/1300nm XX - NO INSERT OR TERMINI (MUST BE ORDERED WITH STRAIN RELIEF "LXX")*									
6 Strain Relief L42 - STRAIN RELIEF FOR 4X 2mm OD INDIVIDUAL JACKETED FIBERS L45 - STRAIN RELIEF FOR 3.6mm TO 4.5mm OD CABLE L55 - STRAIN RELIEF FOR 4.6mm TO 5.5mm OD CABLE L65 - STRAIN RELIEF FOR 5.6mm TO 6.5mm OD CABLE LXX - NO CABLE CRIMPS (MUST BE ORDERED WITH CHANNEL COUNT "00" AND FIBER TYPE "XX")*									

Part Number Builder Notes:

* For Spare Termini, Insert, and Cable Interface Kit ordering information, see Pages 36 - 38



Part Number Shown: QMINI-RXHN-04SM-L42

Part Number Builder - QMini LC Adapter:

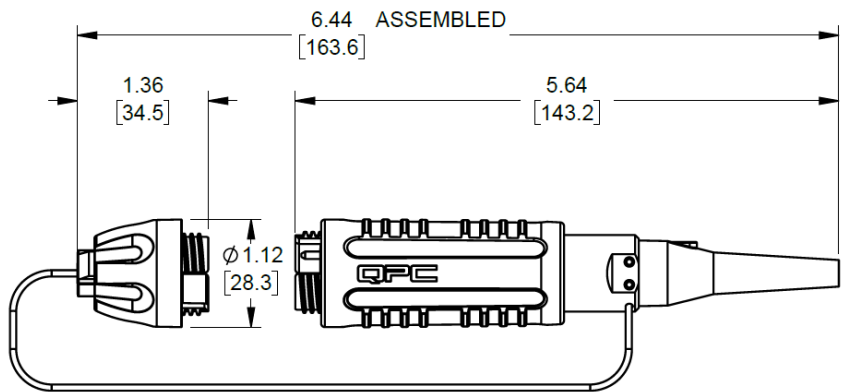
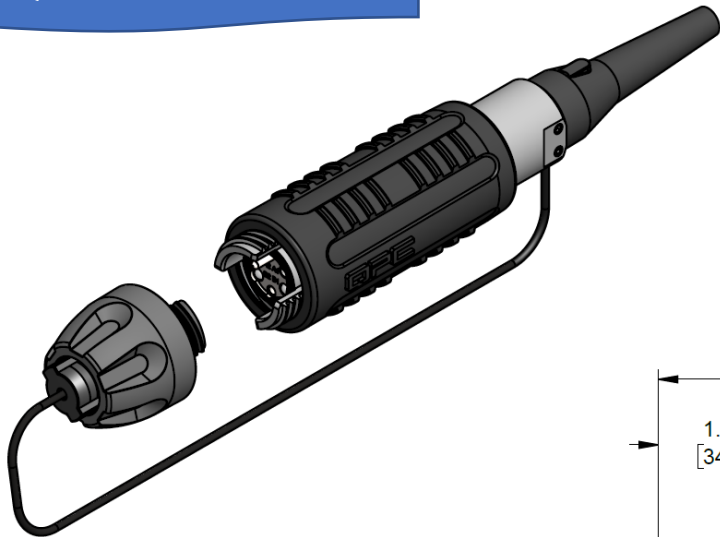
Sample Part Number: QMINILC-RFH-N-02-SM-09		QMINILC	-	RFH		N	-	02		SM	-	09
1	Series QMINILC											
2	Product Type RFH - RECP FLANGE MOUNT, COMPOSITE DUST COVER RFE - RECP FLANGE MOUNT, METAL DUST COVER RJH - RECP JAM NUT, COMPOSITE DUST COVER RJE - RECP JAM NUT, METAL DUST COVER RXH - RECP FLANGE MOUNT RX, COMPOSITE DUST COVER RXE - RECP FLANGE MOUNT RX, METAL DUST COVER											
3	Material & Finish Code N - ALUMINUM, BLACK HARD ANODIZE S - STAINLESS STEEL, PASSIVATED Z - ALUMINUM, ZINC OVER NICKEL, OLIVE DRAB K - ALUMINUM, ZINC OVER NICKEL, BLACK (CONSULT QPC FOR OTHER OPTIONS)											
4	Channel Count 02 - 2 CHANNEL 04 - 4 CHANNEL (JAM NUT RJH & RJE ONLY)											
5	Fiber Type SM - SINGLEMODE, 1310/1550nm MM - MULTIMODE, 850/1300nm											
6	Fiber Size 09 - 9/125µm SINGLEMODE 50 - 50/125µm MULTIMODE (OM4) 62 - 62.5/125µm MULTIMODE (OM1)											



Part Number Shown: QMINILC-RXHN-02SM-09

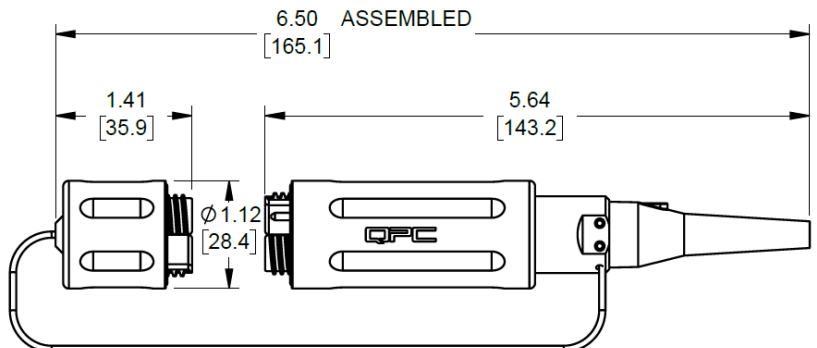
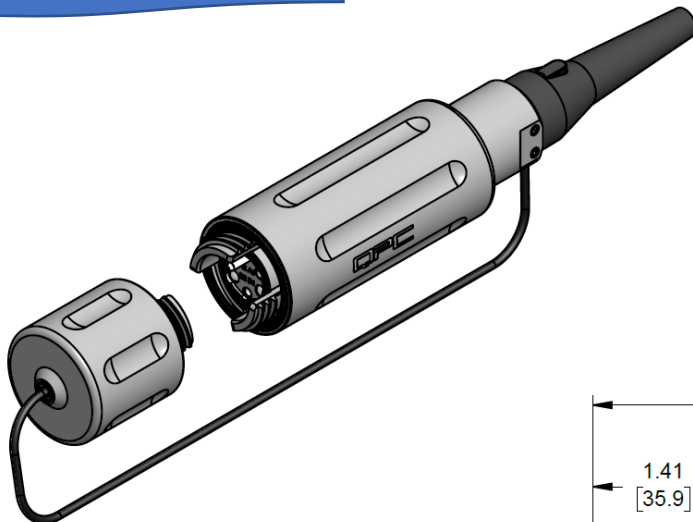
QMini Plug, Hermaphroditic, Composite Dust Cover:

QMINI-PHHX-XXXX-SXX



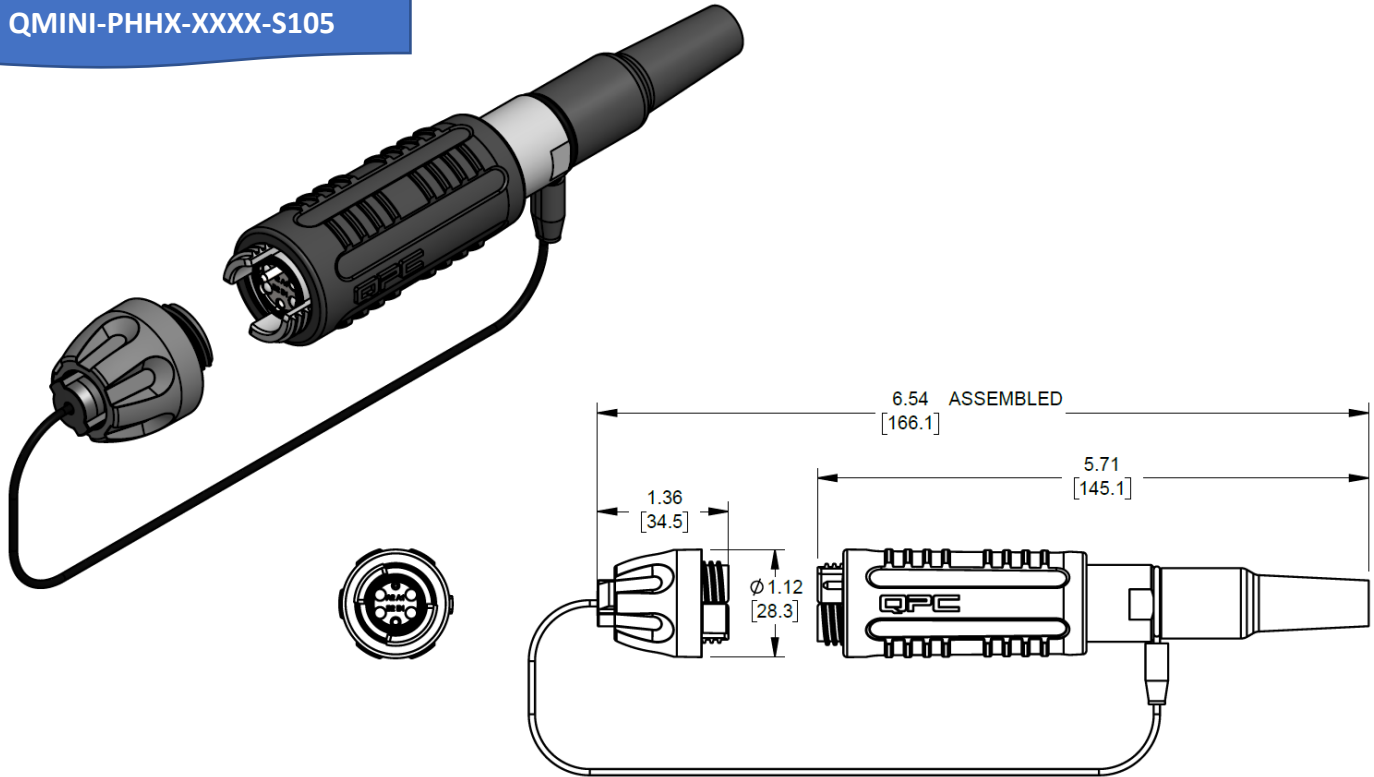
QMini Plug, Hermaphroditic, Metal Coupling Ring, Metal Dust Cover:

QMINI-PEEX-XXXX-SXX



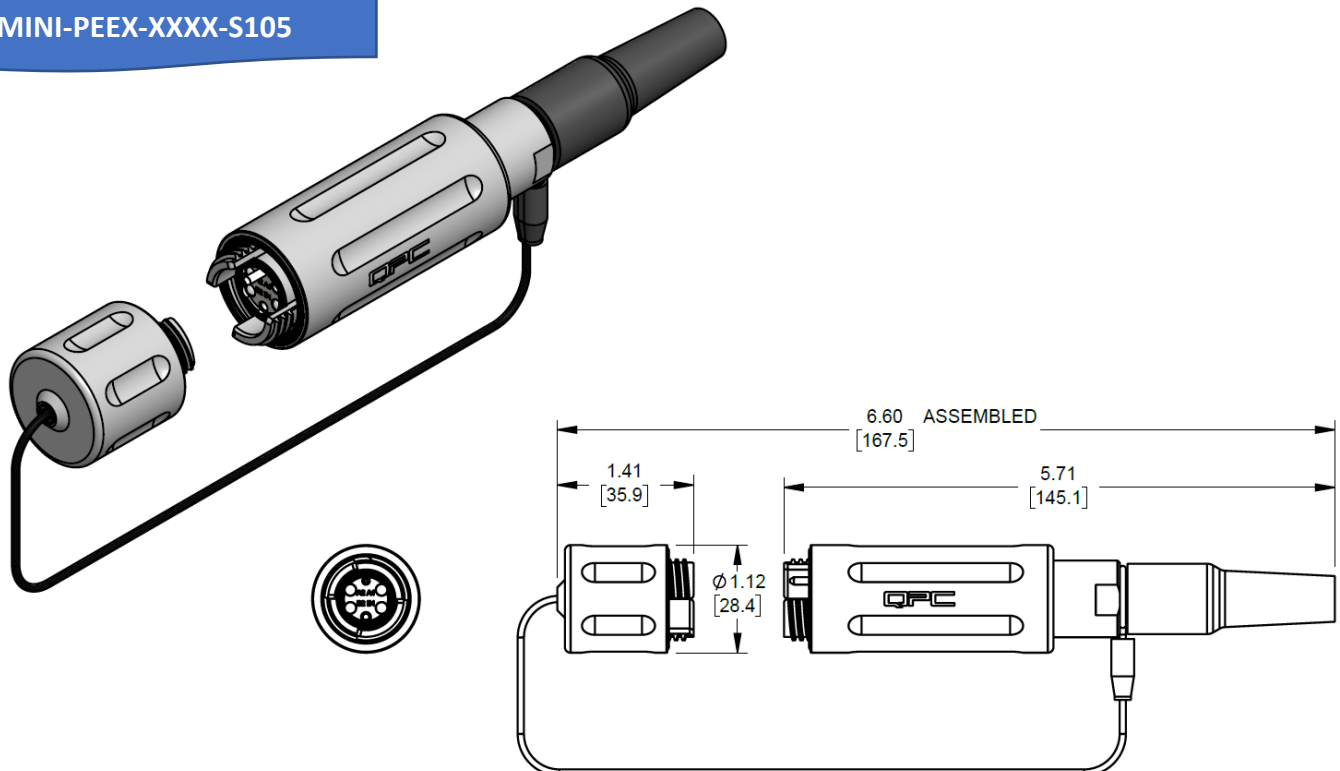
QMini Plug, Hermaphroditic, 10.5mm Heat Shrink Strain Relief, Composite Dust Cover:

QMINI-PHHX-XXXX-S105



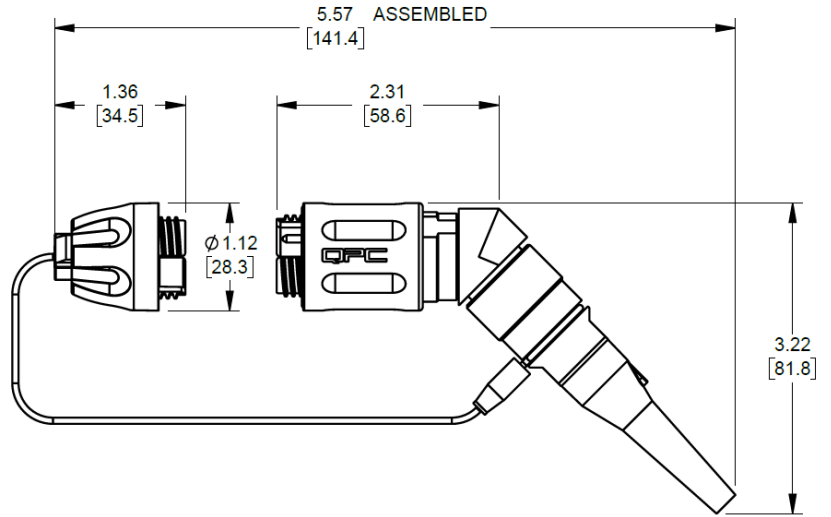
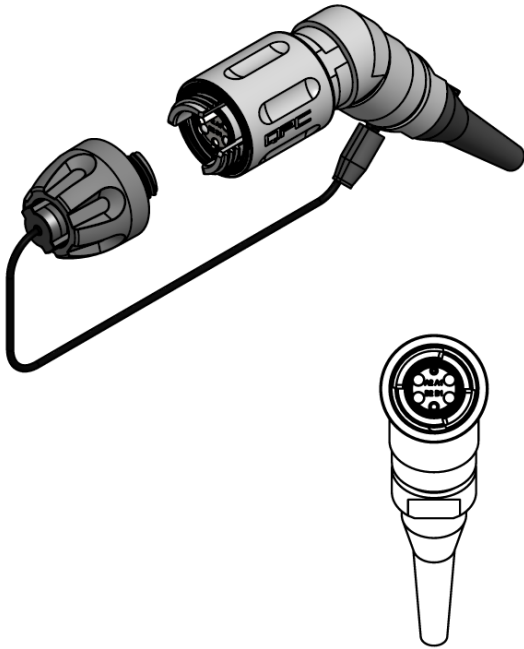
QMini Plug, Hermaphroditic, Metal Coupling Ring, 10.5mm Heat Shrink Strain Relief, Metal Dust Cover:

QMINI-PEEX-XXXX-S105



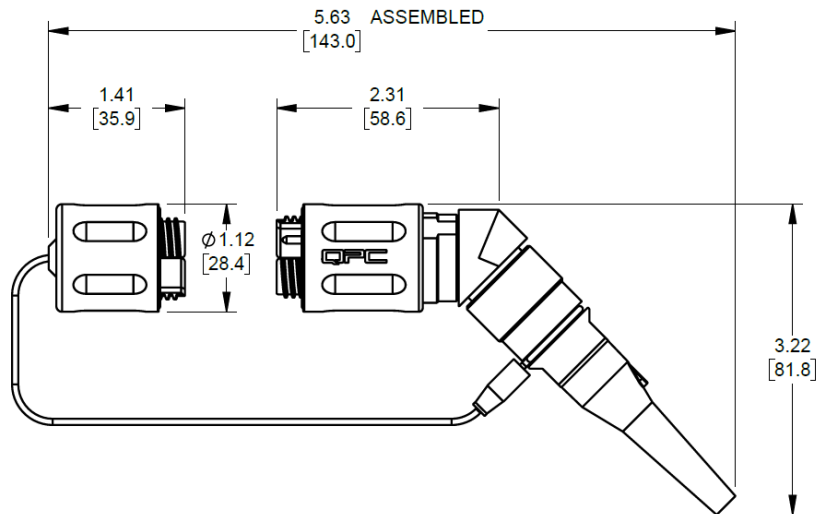
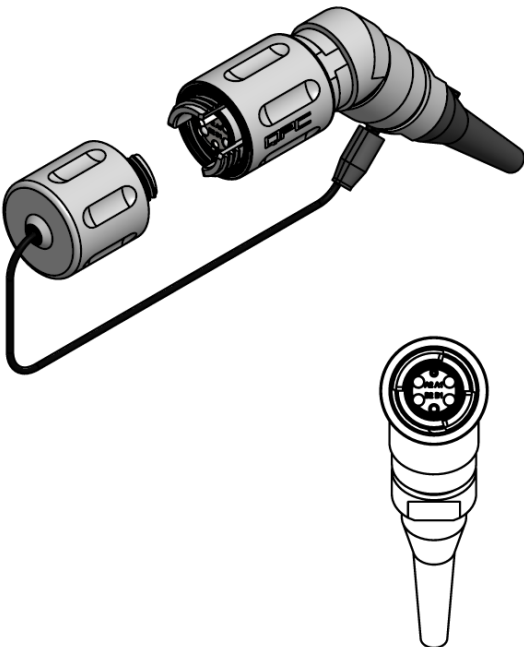
QMini 45° Sealed Plug, Hermaphroditic, Composite Dust Cover:

QMINI45S-PEHX-XXXX-SXX



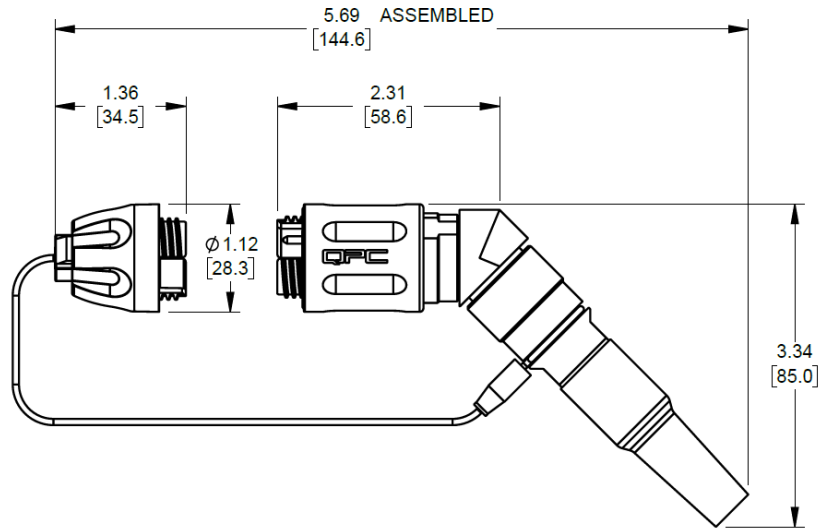
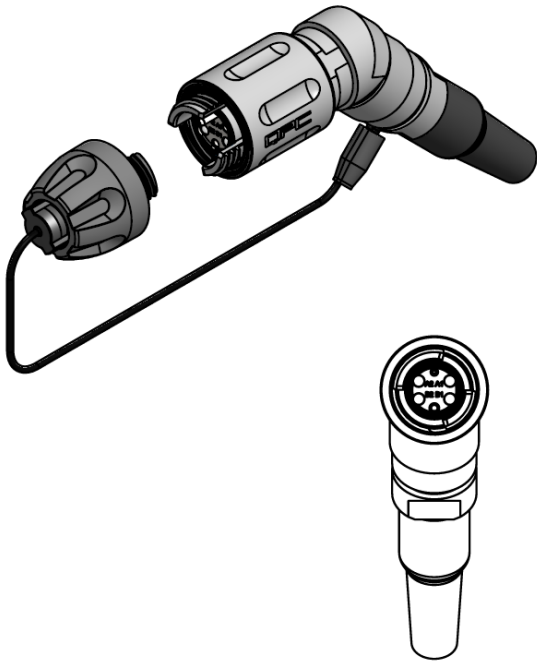
QMini 45° Sealed Plug, Hermaphroditic, Metal Dust Cover:

QMINI45S-PEEX-XXXX-SXX



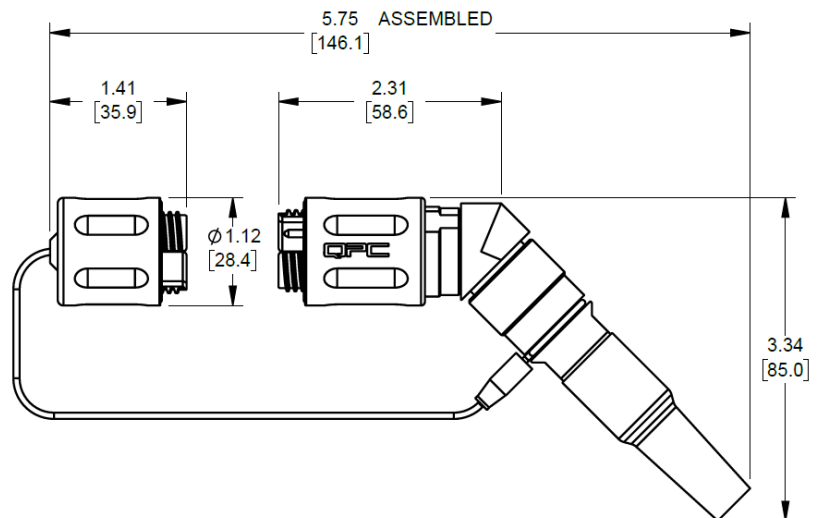
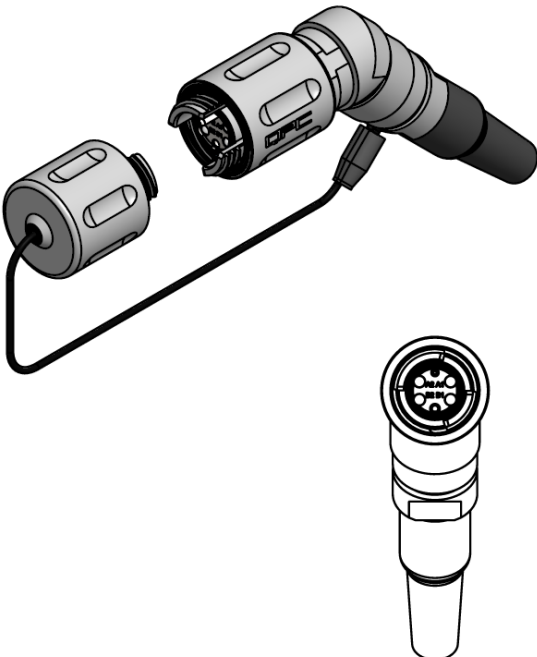
QMini 45° Sealed Plug, Hermaphroditic, 10.5mm Heat Shrink Strain Relief, Composite Dust Cover:

QMINI45S-PEHX-XXXX-S105



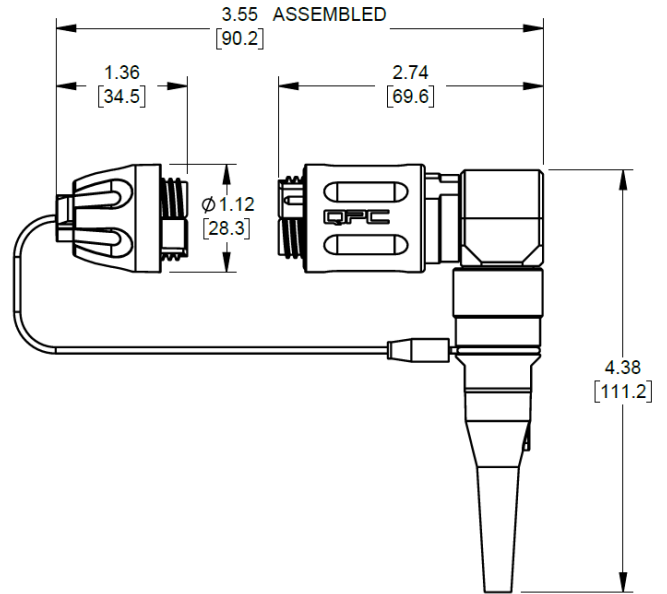
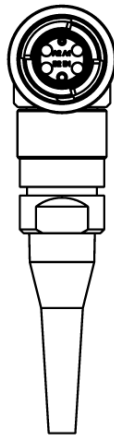
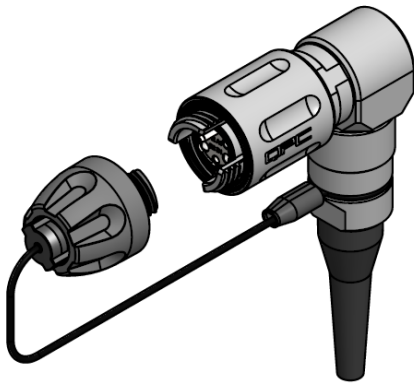
QMini 45° Sealed Plug, Hermaphroditic, 10.5mm Heat Shrink Strain Relief, Metal Dust Cover:

QMINI45S-PEEX-XXXX-S105



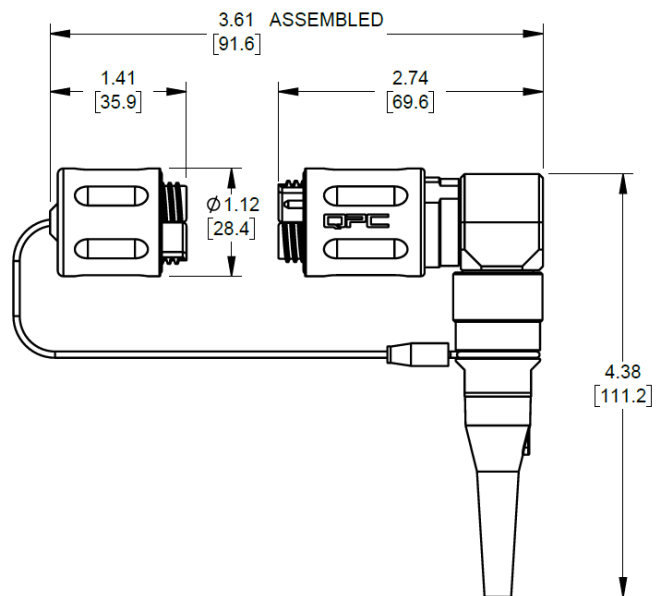
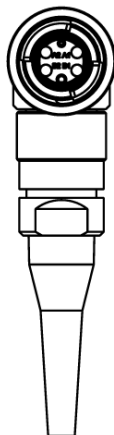
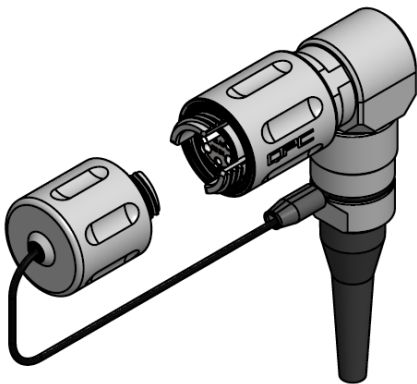
QMini 90° Sealed Plug, Hermaphroditic, Composite Dust Cover:

QMINI90S-PEHX-XXXX-SXX



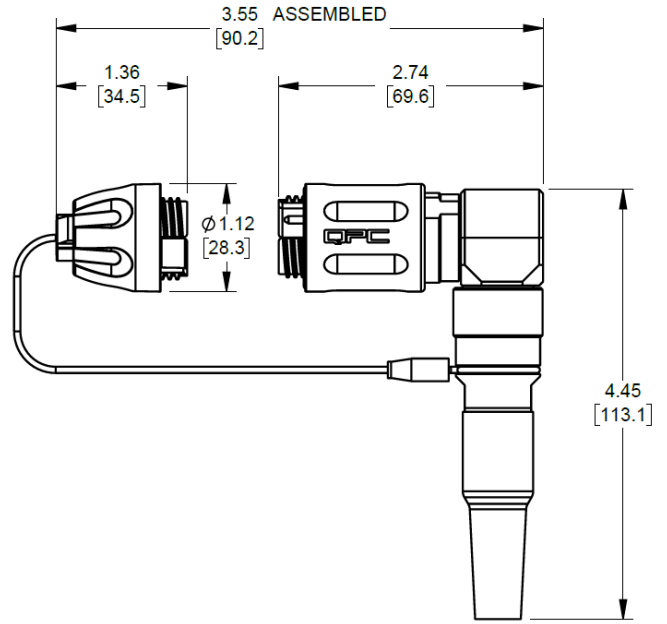
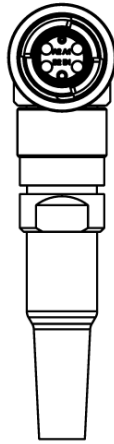
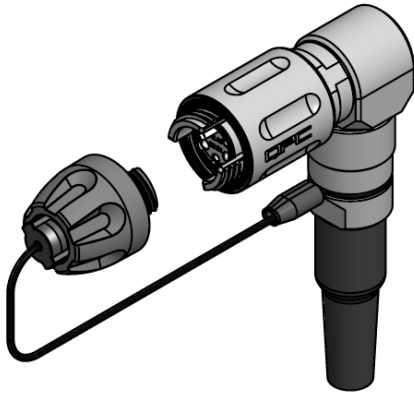
QMini 90° Sealed Plug, Hermaphroditic, Metal Dust Cover:

QMINI90S-PEEX-XXXX-SXX



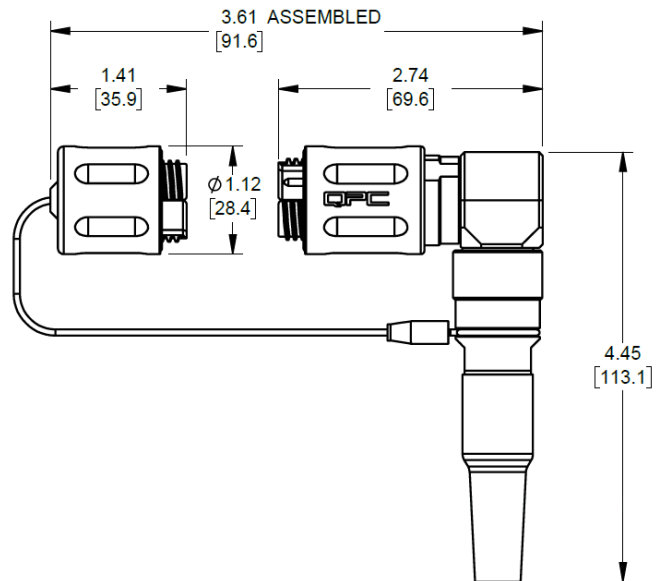
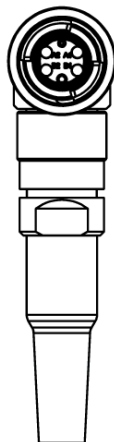
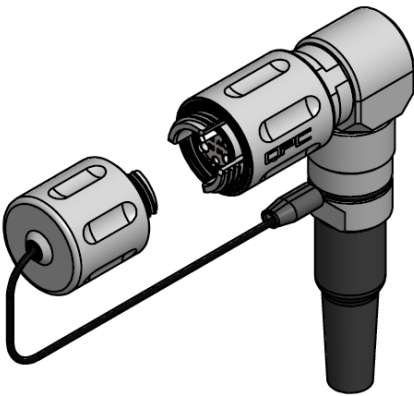
QMini 90° Sealed Plug, Hermaphroditic, 10.5mm Heat Shrink Strain Relief, Composite Dust Cover:

QMINI90S-PEHX-XXXX-S105



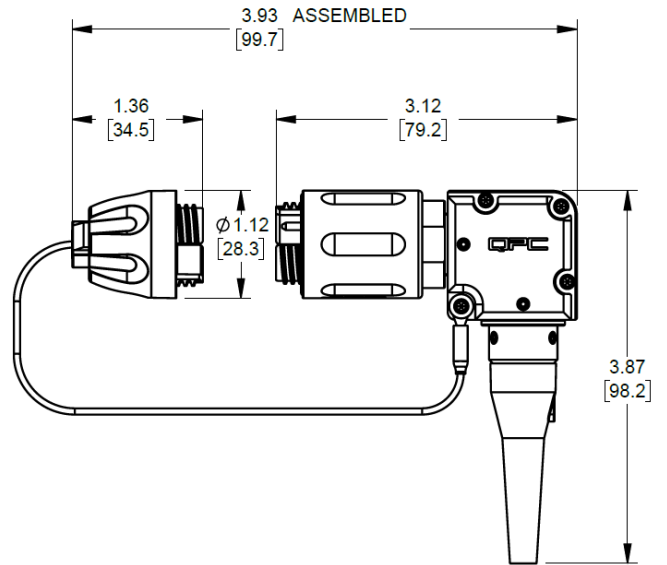
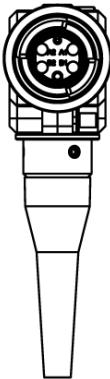
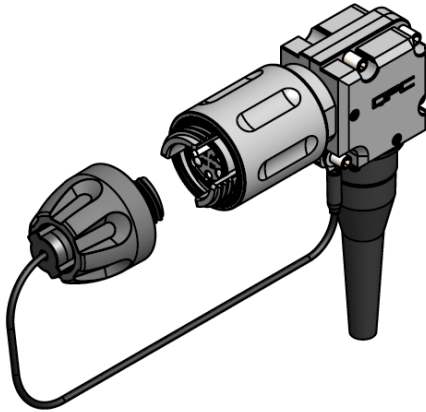
QMini 90° Sealed Plug, Hermaphroditic, 10.5mm Heat Shrink Strain Relief, Metal Dust Cover:

QMINI90S-PEEX-XXXX-S105



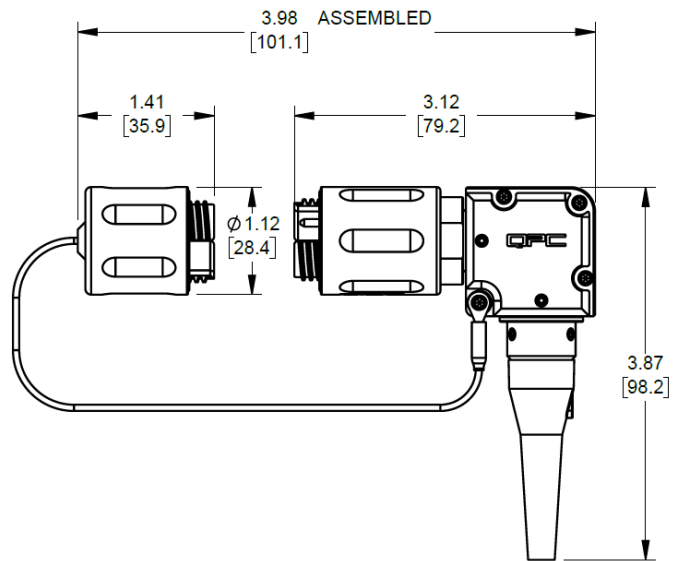
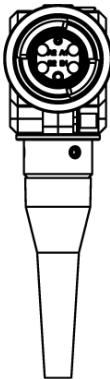
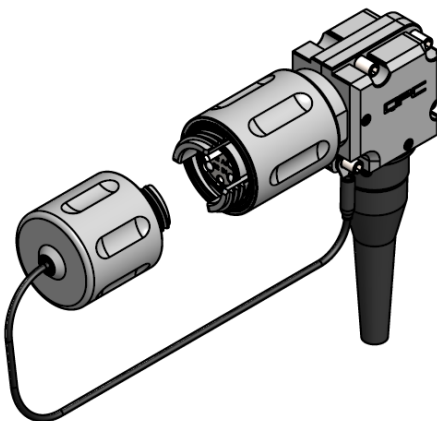
QMini 90° Plug, Hermaphroditic, Composite Dust Cover:

QMINI90-PEHX-XXXX-SXX



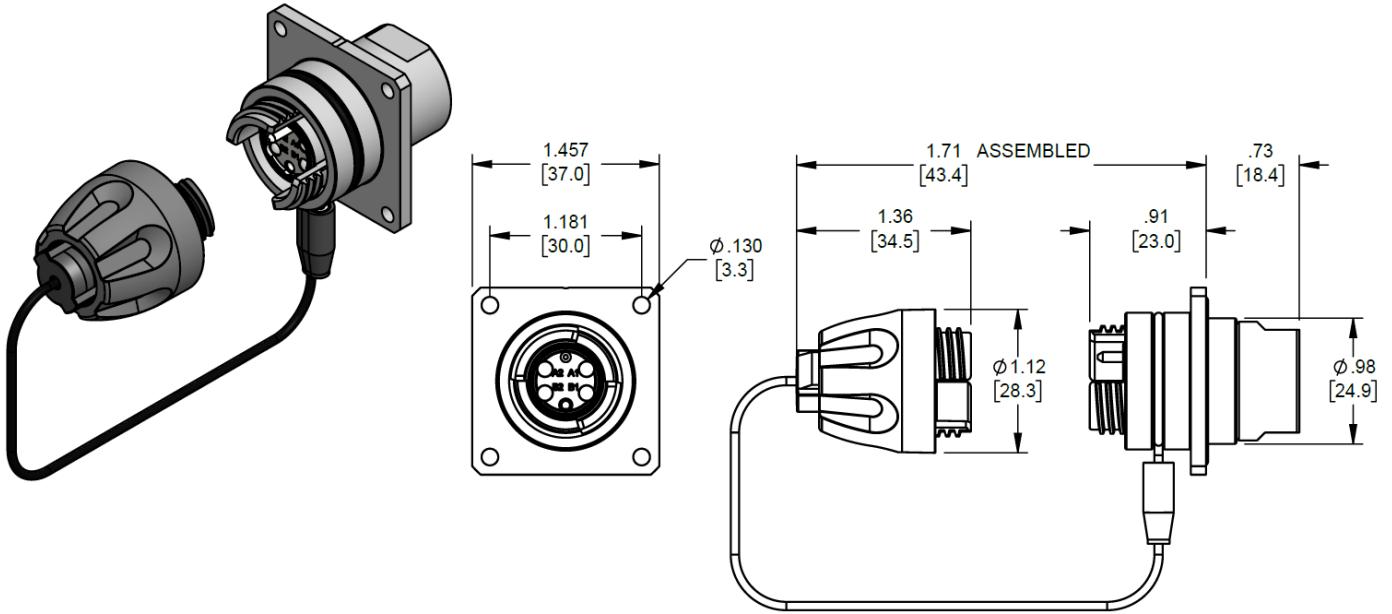
QMini 90° Plug, Hermaphroditic, Metal Dust Cover:

QMINI90-PEEX-XXXX-SXX



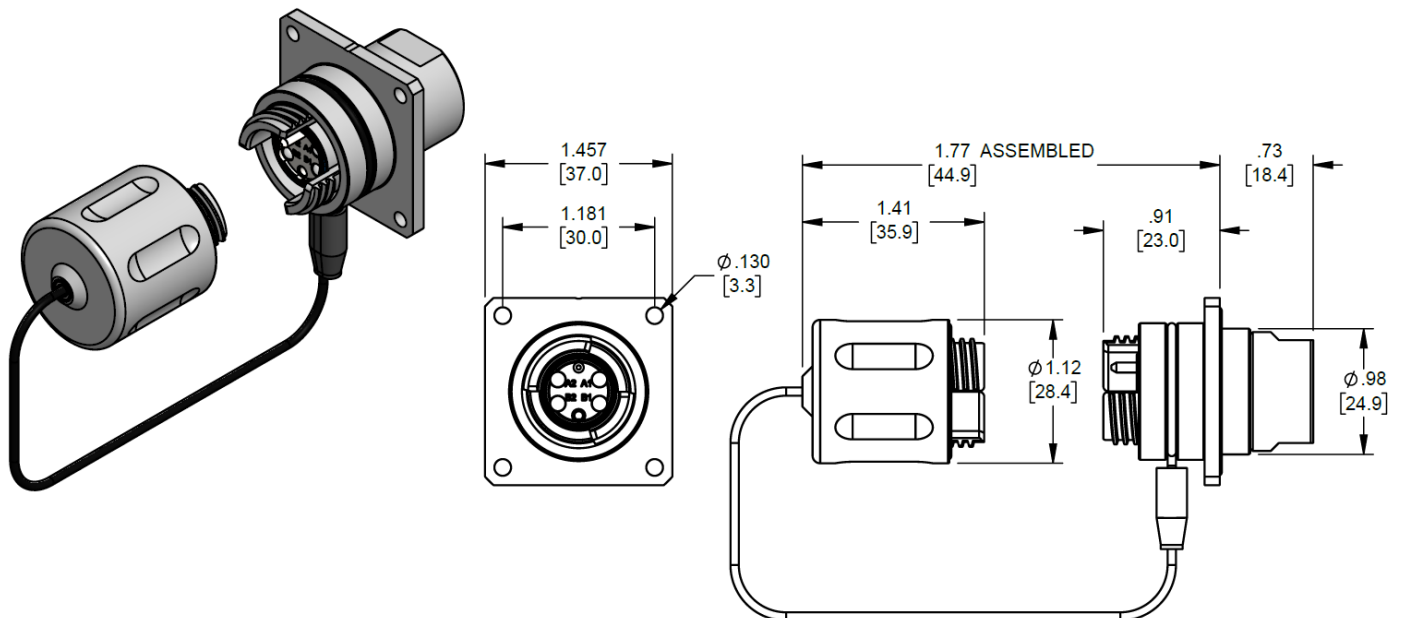
QMini Receptacle, Flange Mount, No Backshell, Composite Dust Cover:

QMINI-RFH-XXXX-S0X
QMINI-RFH-XXXX-SE2



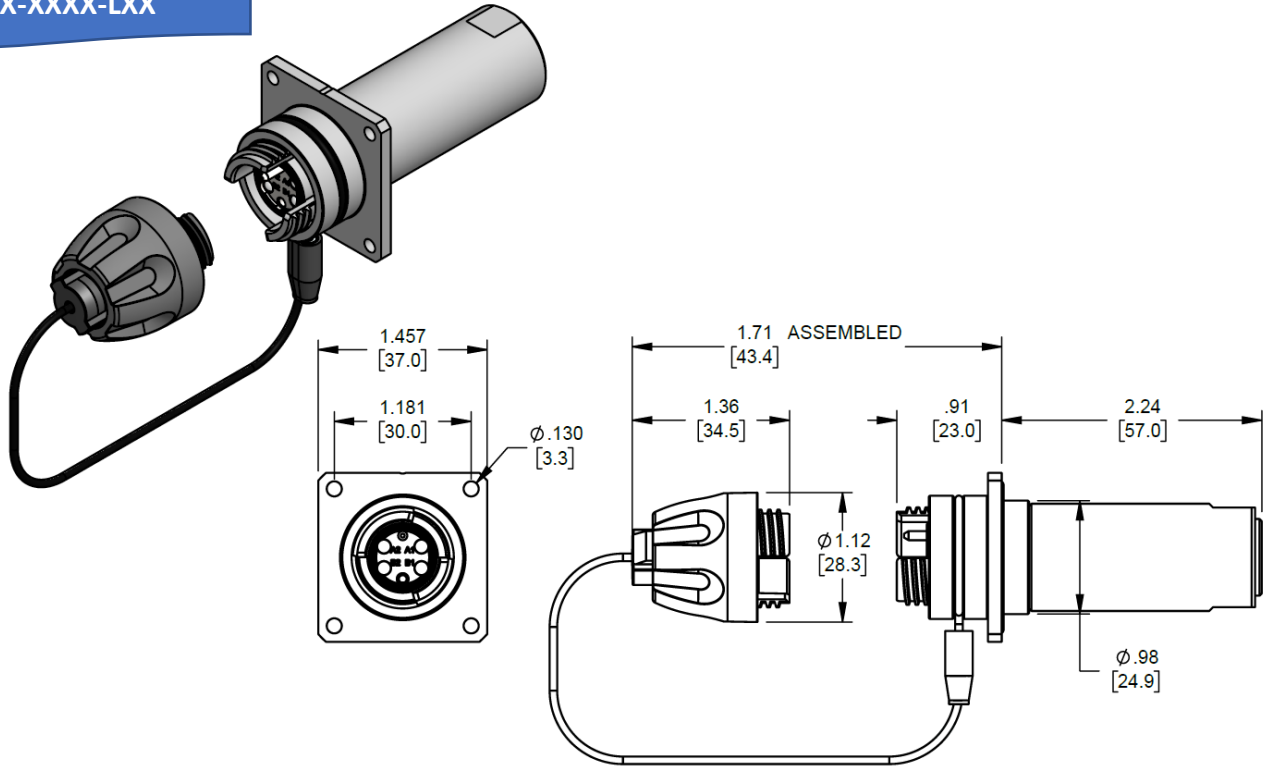
QMini Receptacle, Flange Mount, No Backshell, Metal Dust Cover:

QMINI-RFEX-XXXX-S0X
QMINI-RFEX-XXXX-SE2



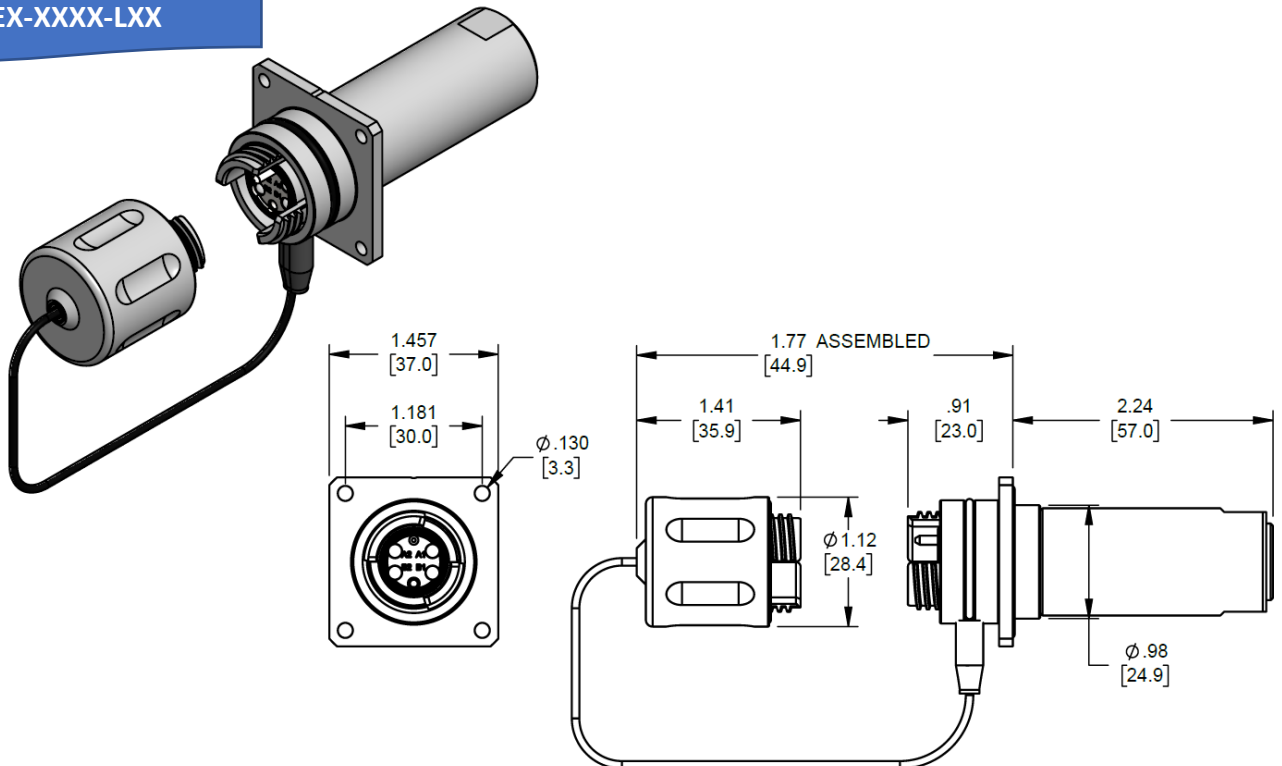
QMini Receptacle, Flange Mount, Low Profile Backshell, Composite Dust Cover:

QMINI-RFH-XXXX-LXX



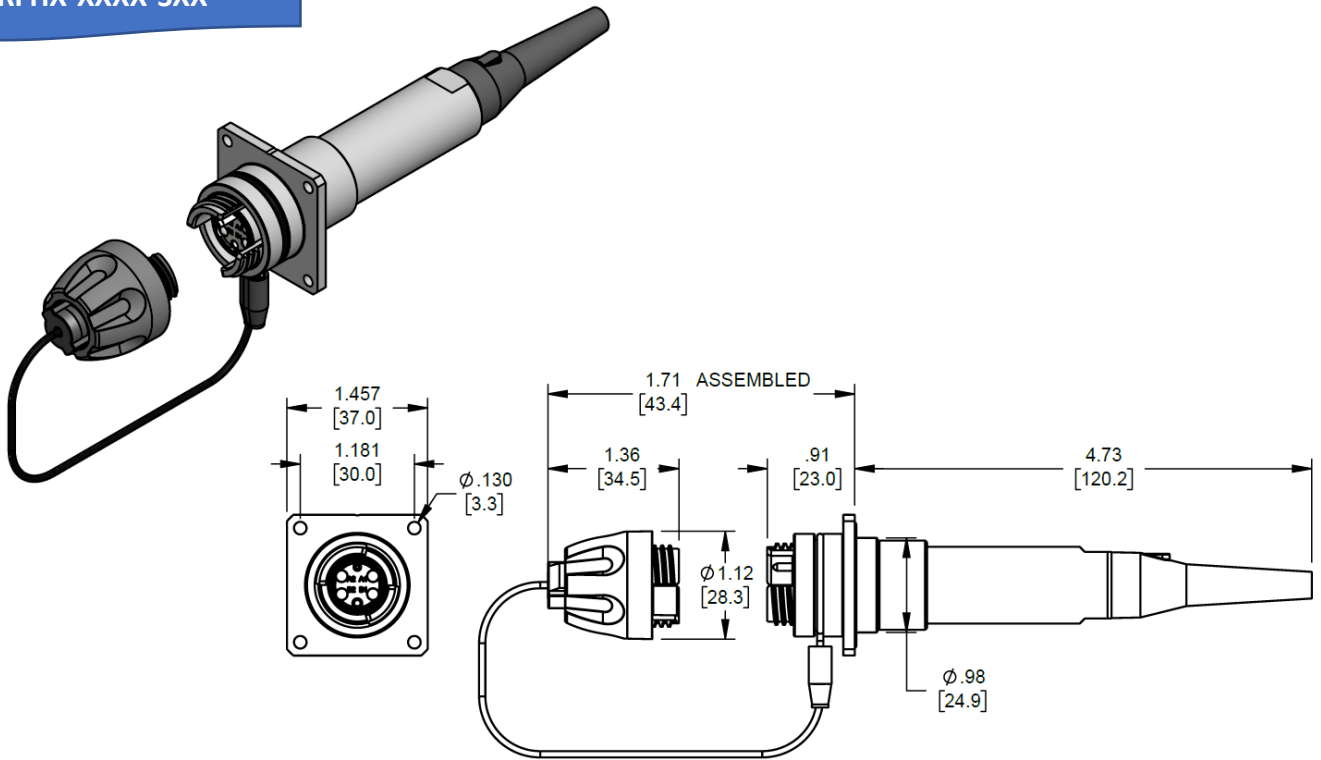
QMini Receptacle, Flange Mount, Low Profile Backshell, Metal Dust Cover:

QMINI-RFEX-XXXX-LXX



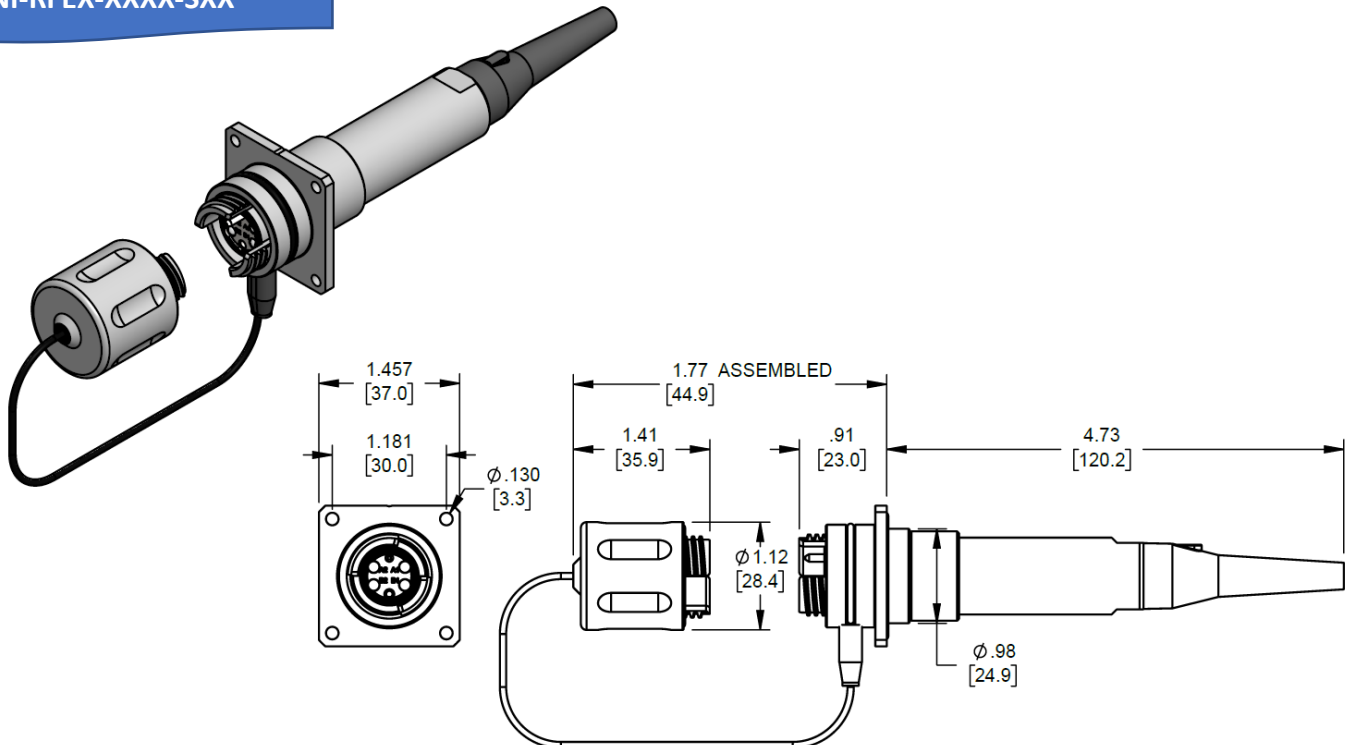
QMini Receptacle, Flange Mount, Backshell, Composite Dust Cover:

QMINI-RFHX-XXXX-SXX



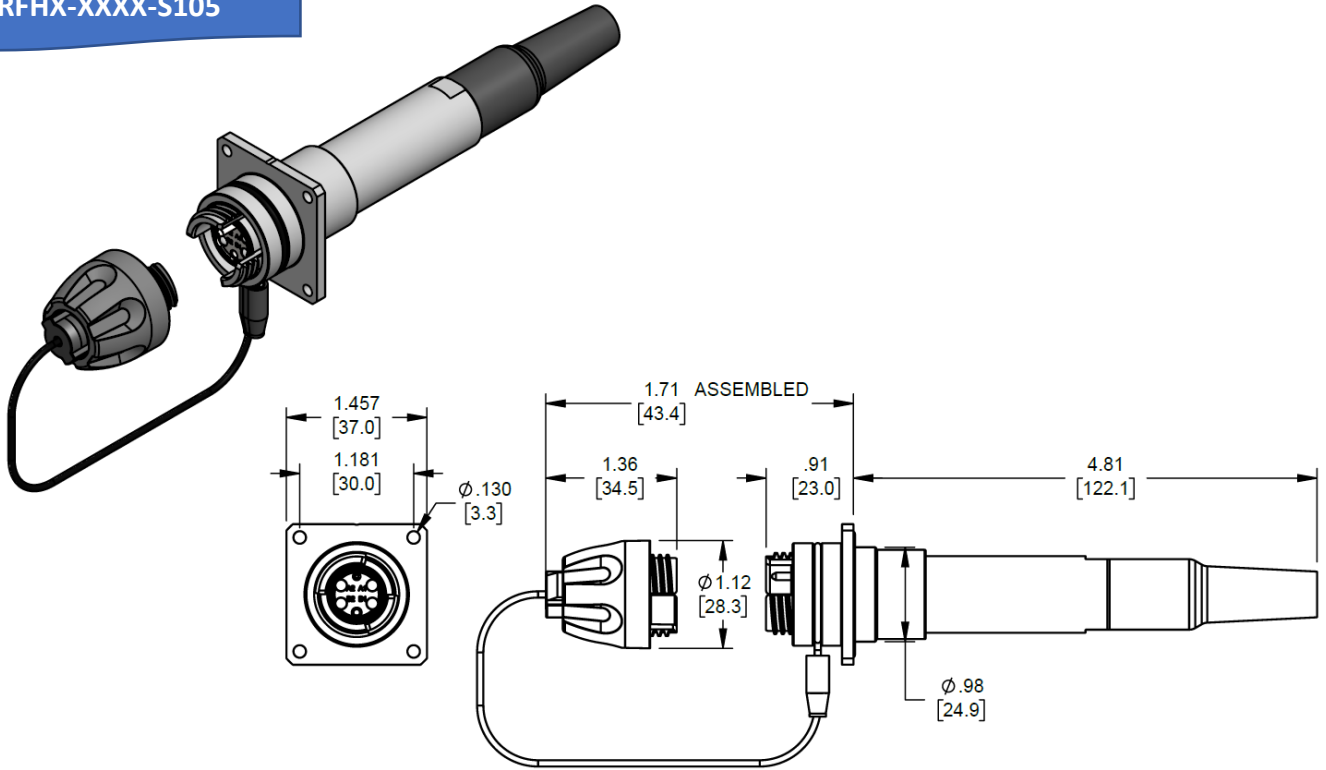
QMini Receptacle, Flange Mount, Backshell, Metal Dust Cover:

QMINI-RFEX-XXXX-SXX



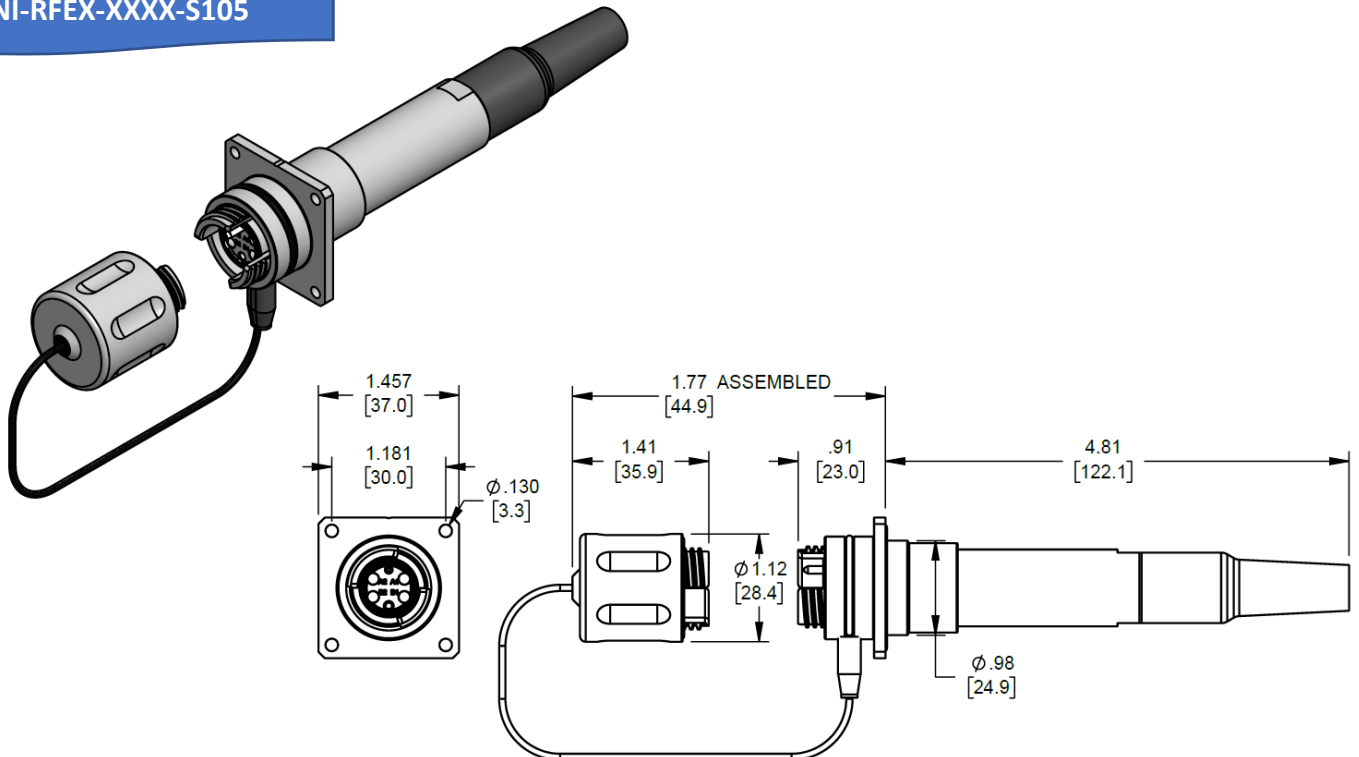
QMini Receptacle, Flange Mount, 10.5mm Heat Shrink Strain Relief, Composite Dust Cover:

QMINI-RFHX-XXXX-S105



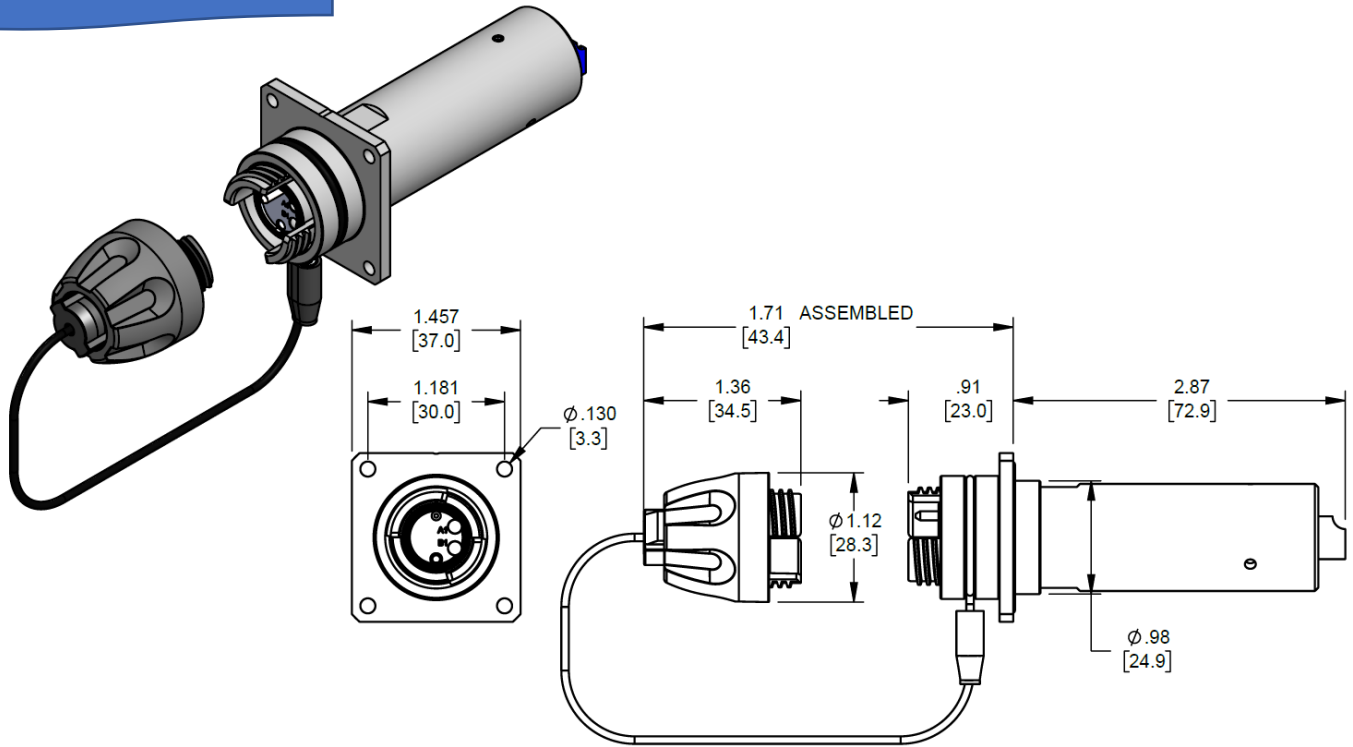
QMini Receptacle, Flange Mount, 10.5mm Heat Shrink Strain Relief, Metal Dust Cover:

QMINI-RFEX-XXXX-S105



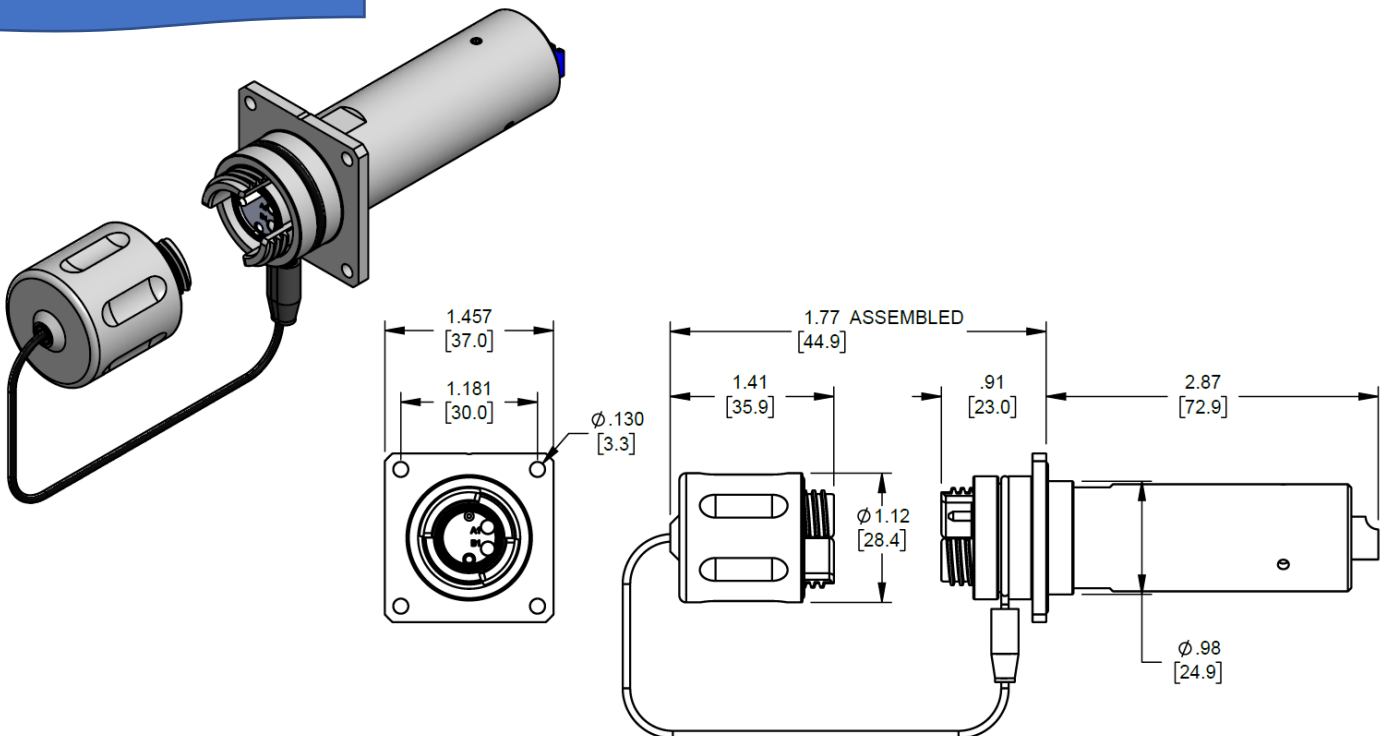
QMini LC Adapter, Flange Mount, 2CH, Composite Dust Cover:

QMINILC-RFH-02XX-XX



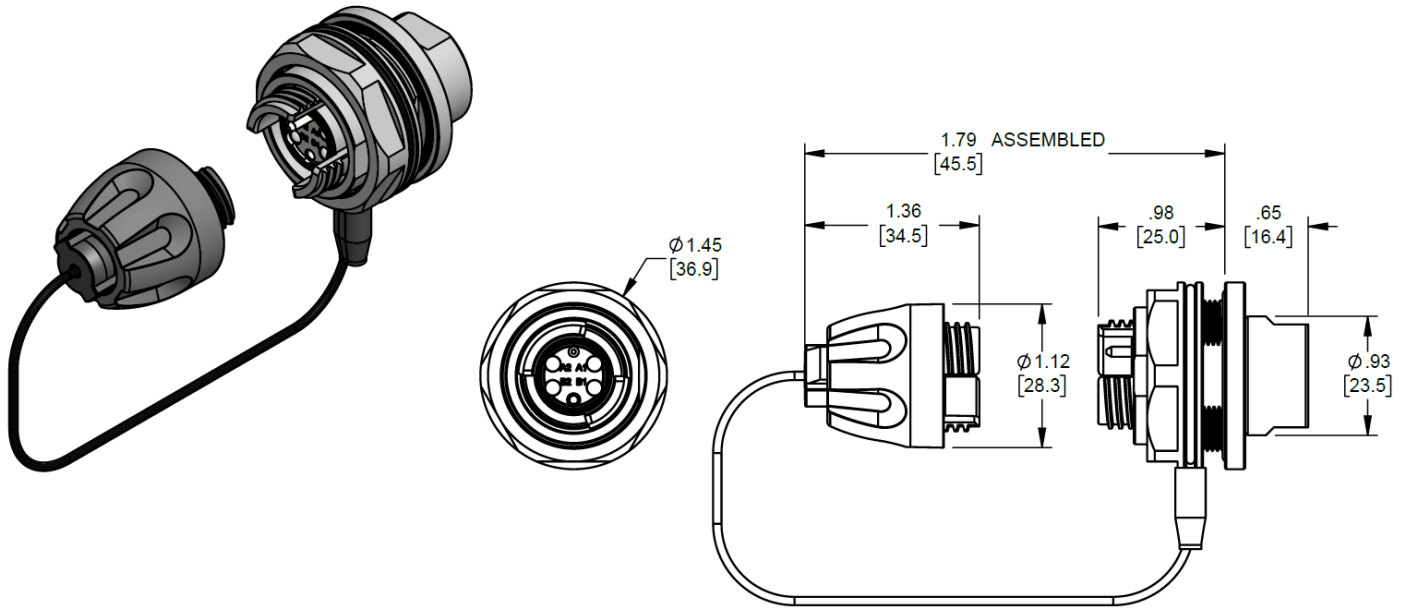
QMini LC Adapter, Flange Mount, 2CH, Metal Dust Cover:

QMINILC-RFEX-02XX-XX



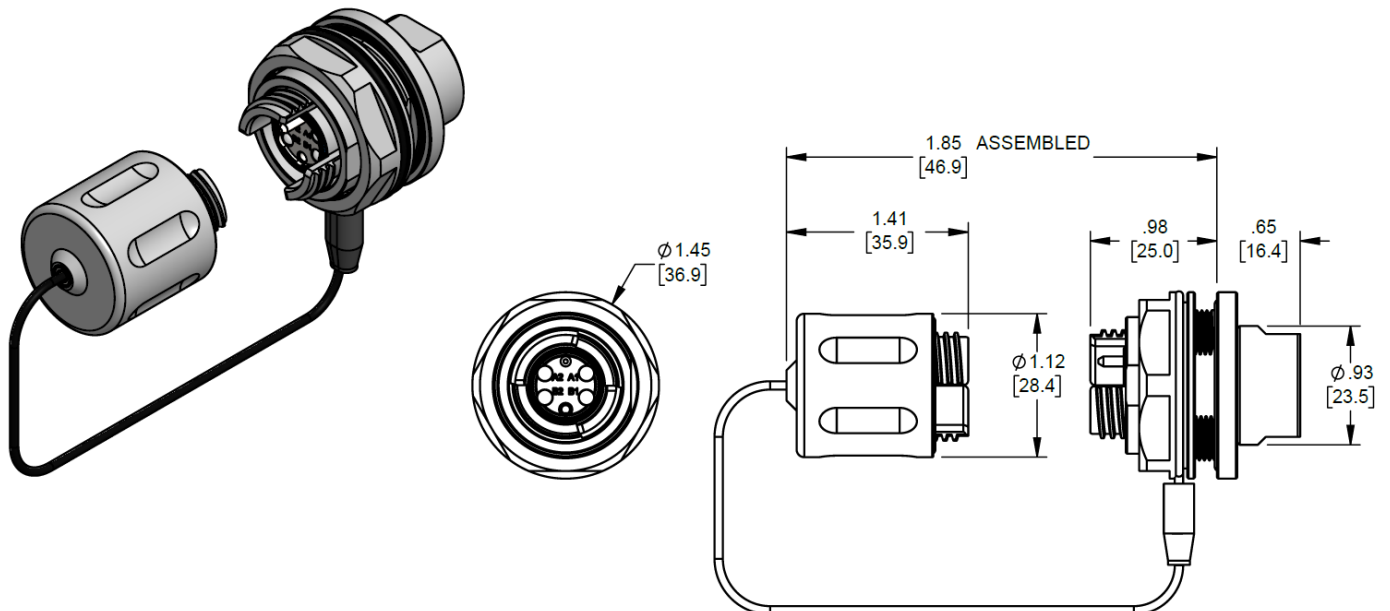
QMini Receptacle, Jam Nut, No Backshell, Composite Dust Cover:

QMINI-RJHX-XXXX-S0X
QMINI-RJHX-XXXX-SE2



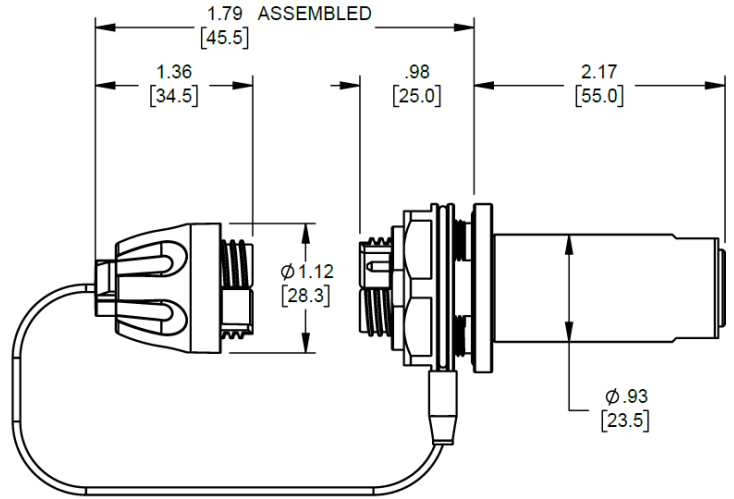
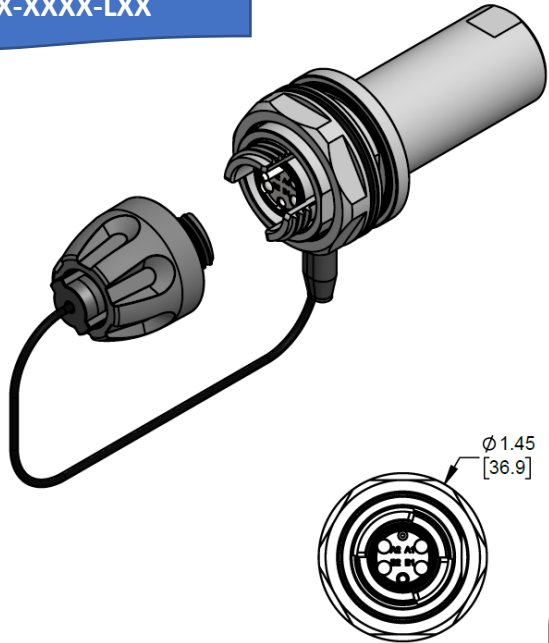
QMini Receptacle, Jam Nut, No Backshell, Metal Dust Cover:

QMINI-RJEX-XXXX-S0X
QMINI-RJEX-XXXX-SE2



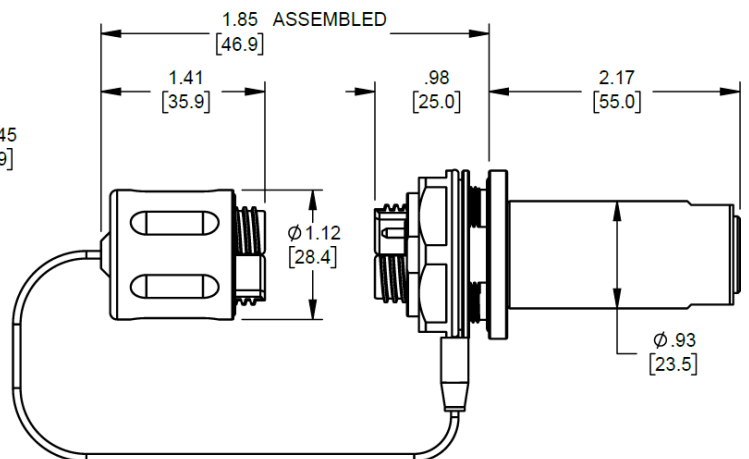
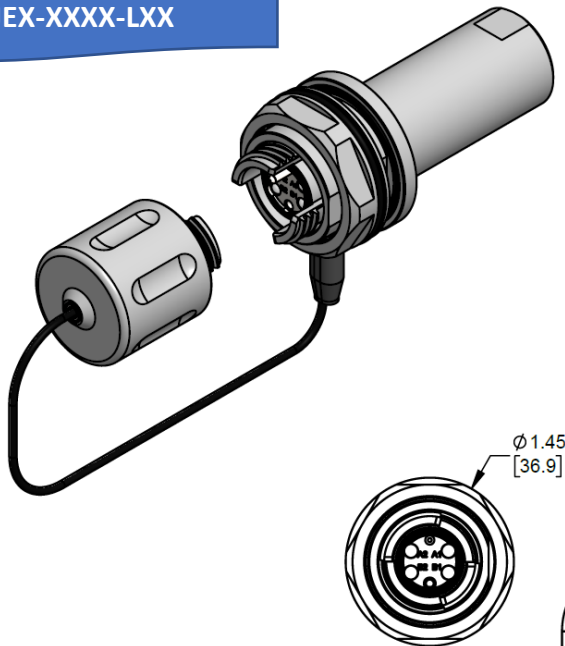
QMini Receptacle, Jam Nut, Low Profile Backshell, Composite Dust Cover:

QMINI-RJHX-XXXX-LXX



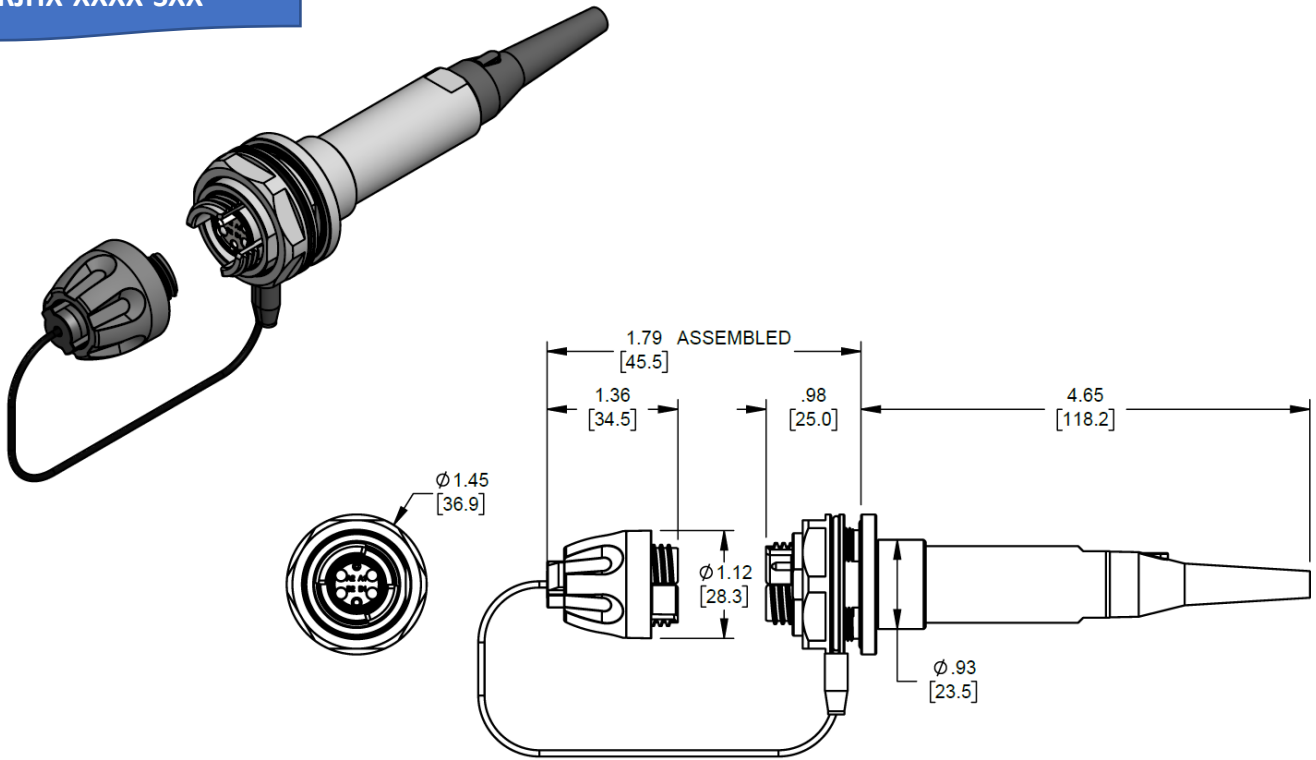
QMini Receptacle, Jam Nut, Low Profile Backshell, Metal Dust Cover:

QMINI-RJEX-XXXX-LXX



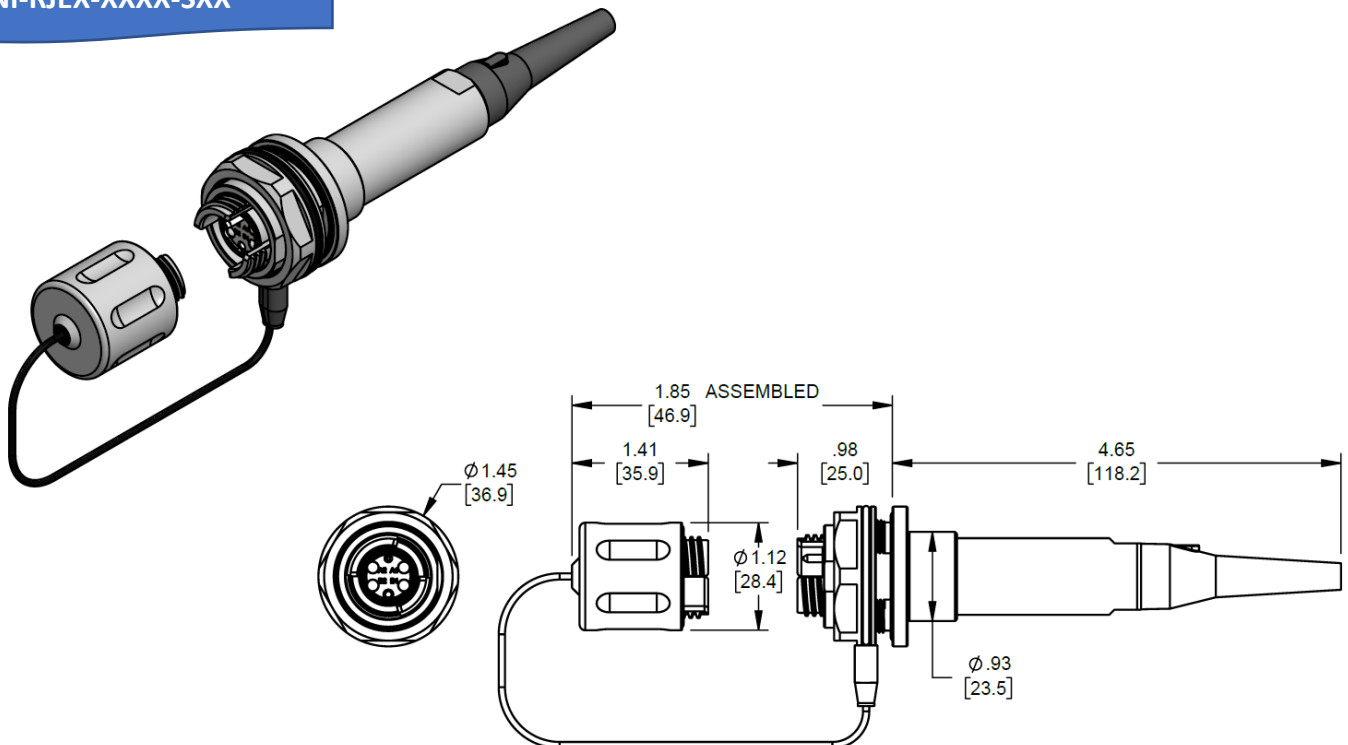
QMini Receptacle, Jam Nut, Backshell, Composite Dust Cover:

QMINI-RJHX-XXXX-SXX



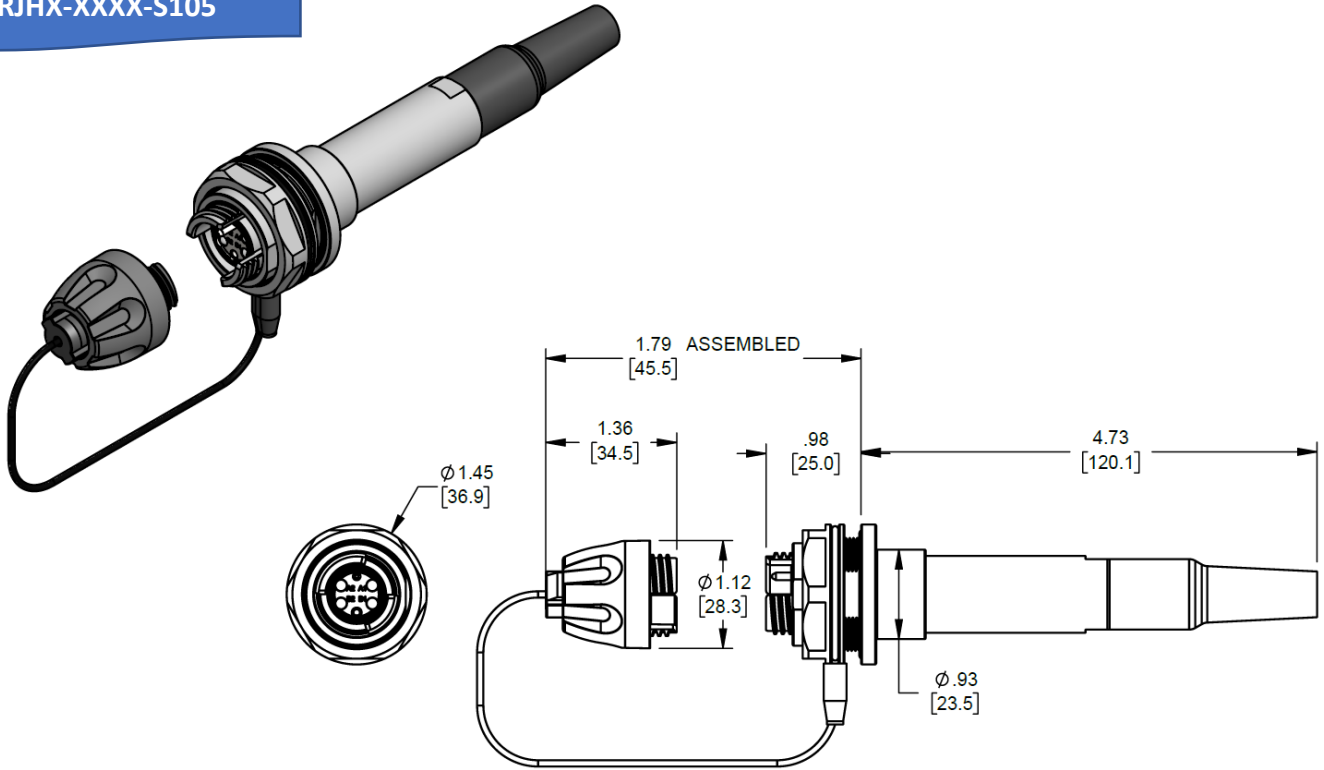
QMini Receptacle, Jam Nut, Backshell, Metal Dust Cover:

QMINI-RJEX-XXXX-SXX



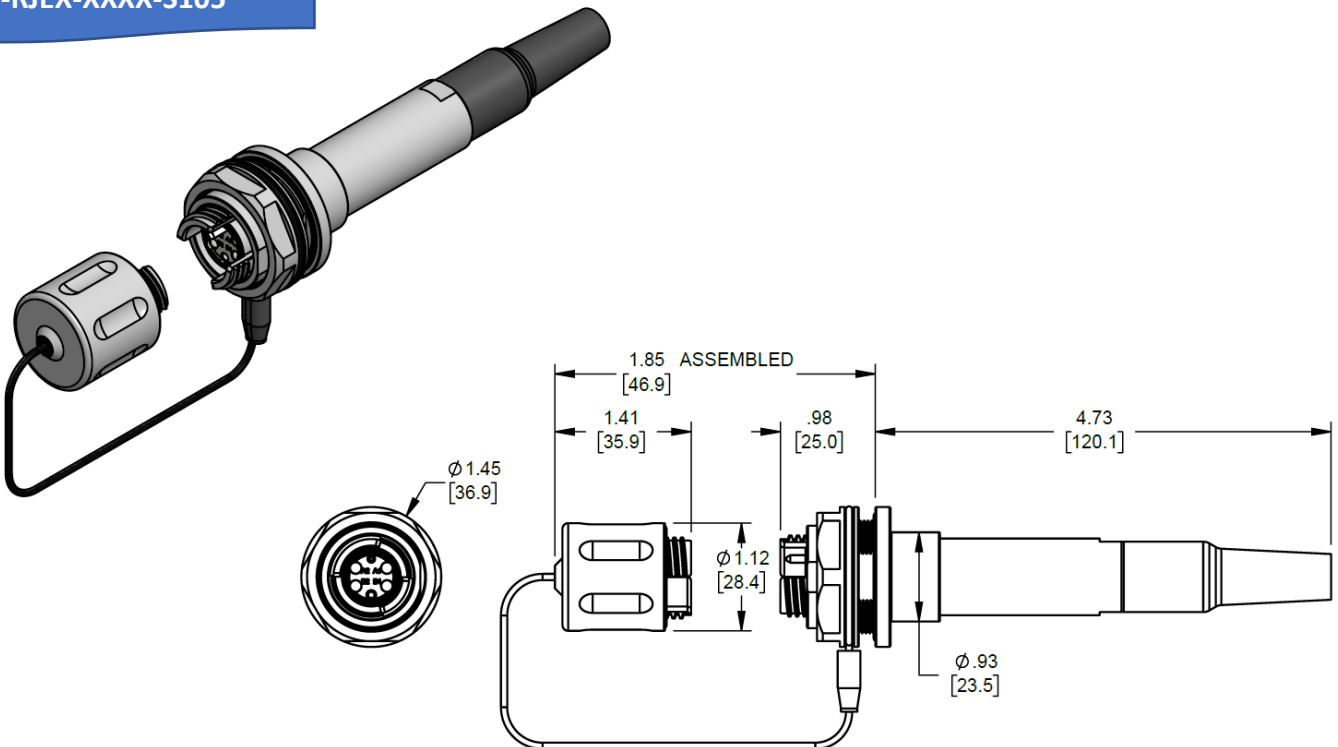
QMini Receptacle, Jam Nut, 10.5mm Heat Shrink Strain Relief, Composite Dust Cover:

QMINI-RJHX-XXXX-S105



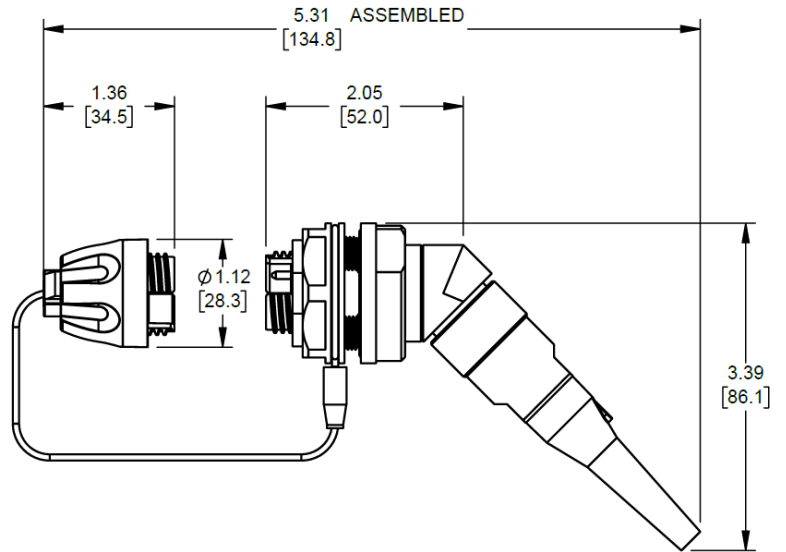
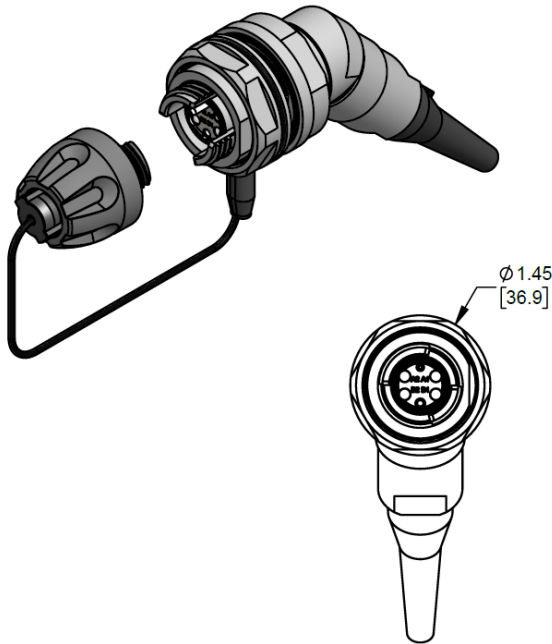
QMini Receptacle, Jam Nut, 10.5mm Heat Shrink Strain Relief, Metal Dust Cover:

QMINI-RJEX-XXXX-S105



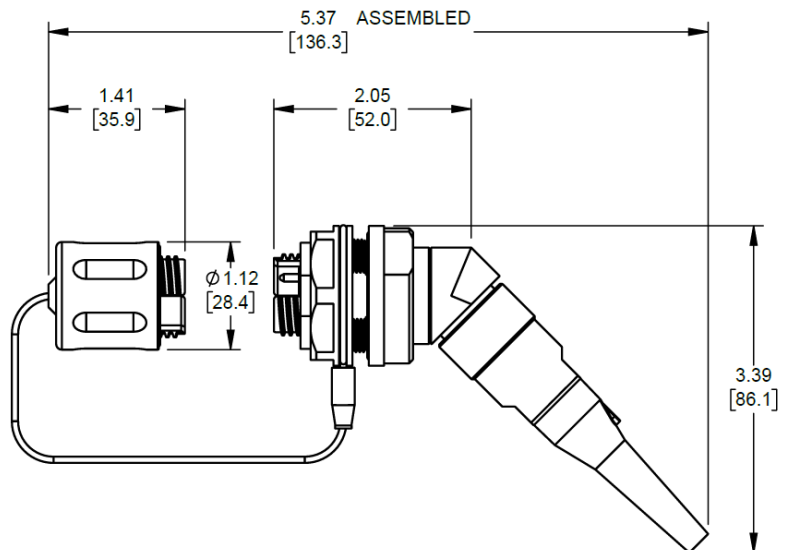
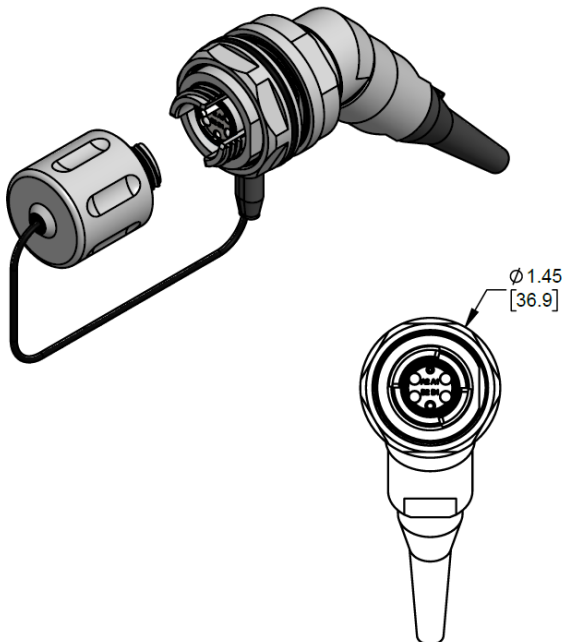
QMini 45° Sealed Receptacle, Jam Nut, Composite Dust Cover:

QMINI45S-RJHX-XXXX-SXX



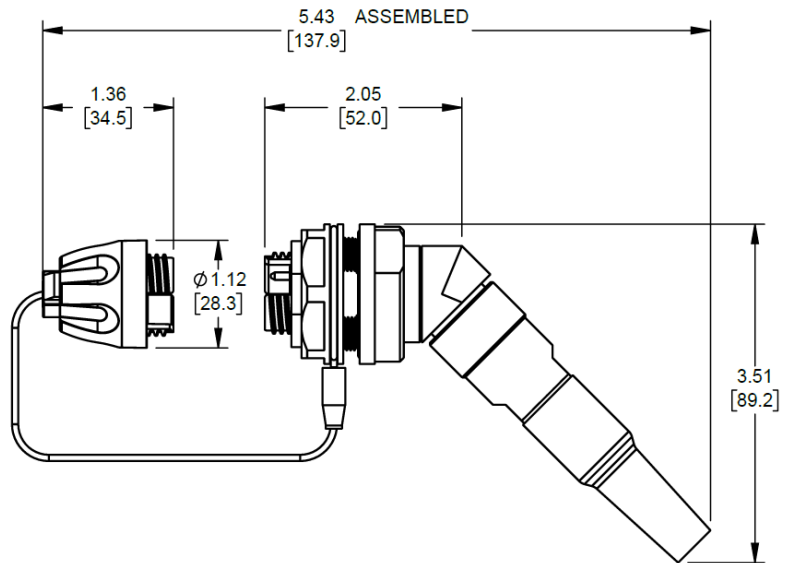
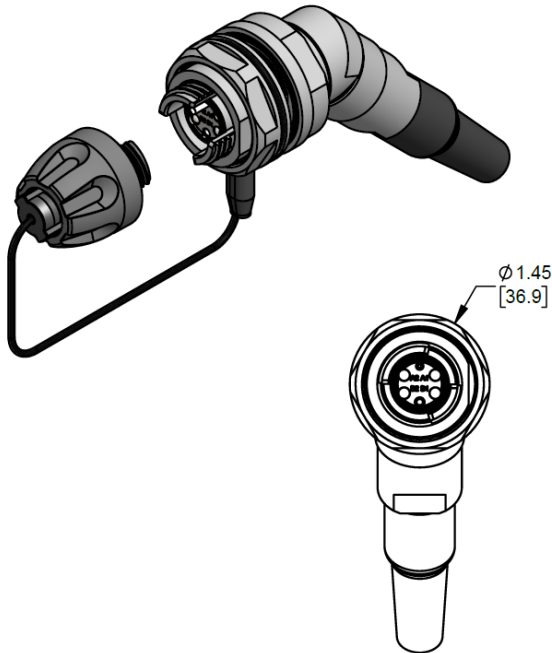
QMini 45° Sealed Receptacle, Jam Nut, Metal Dust Cover:

QMINI45S-RJEX-XXXX-SXX



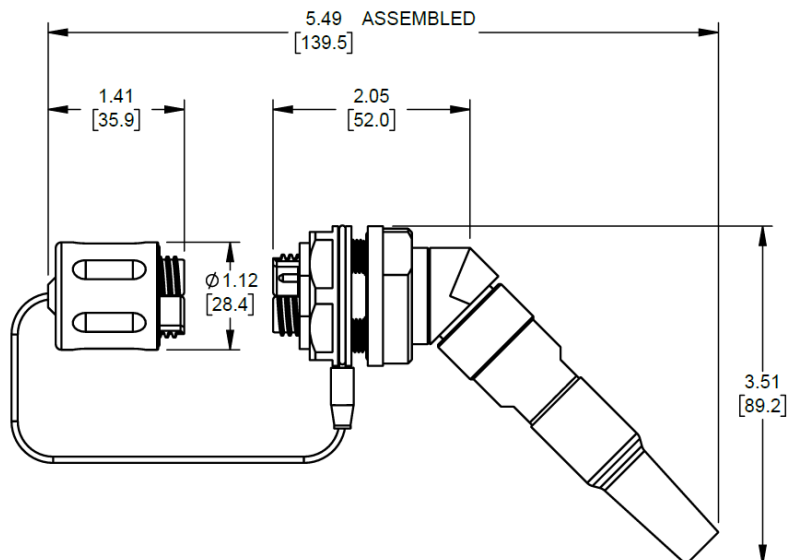
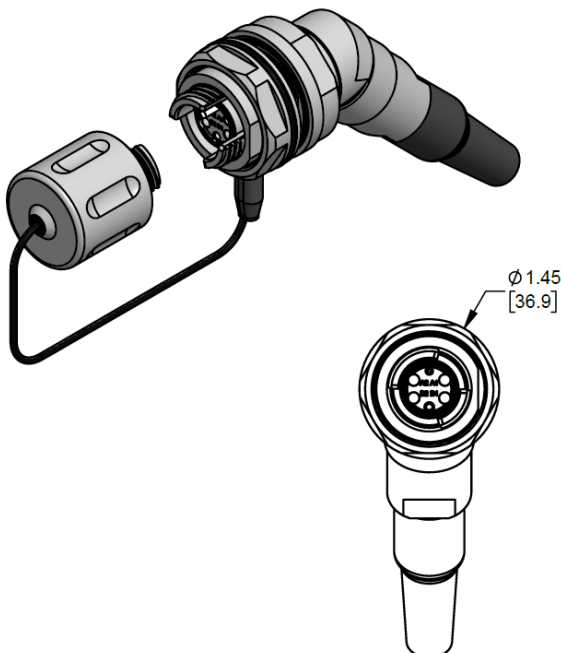
QMini 45° Sealed Receptacle, Jam Nut, 10.5mm Heat Shrink Strain Relief, Composite Dust Cover:

QMINI45S-RJHX-XXXX-S105



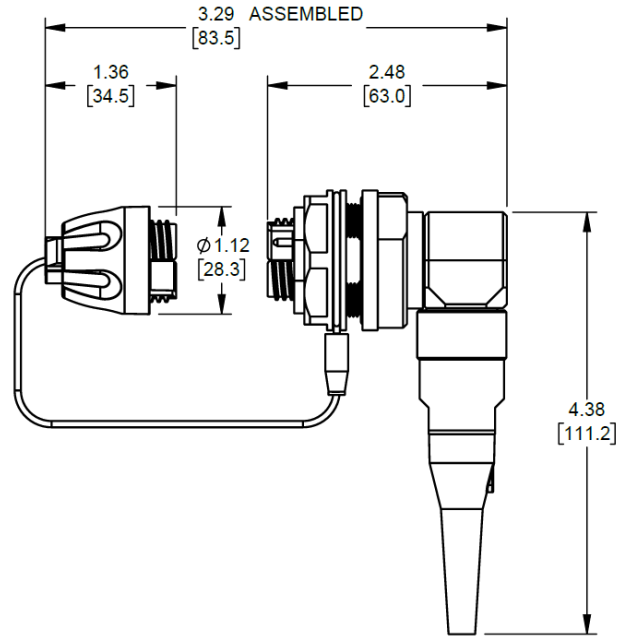
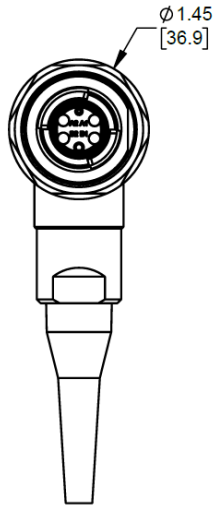
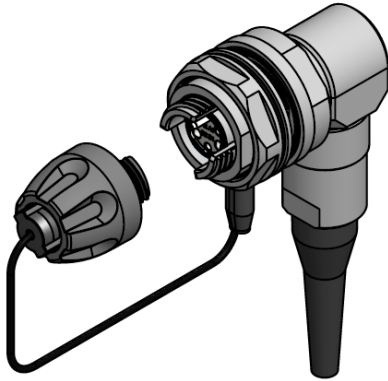
QMini 45° Sealed Receptacle, Jam Nut, 10.5mm Heat Shrink Strain Relief, Metal Dust Cover:

QMINI45S-RJEX-XXXX-S105



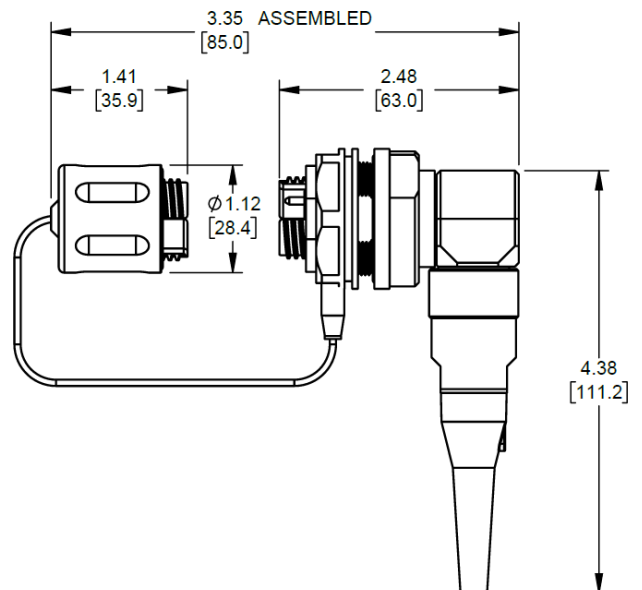
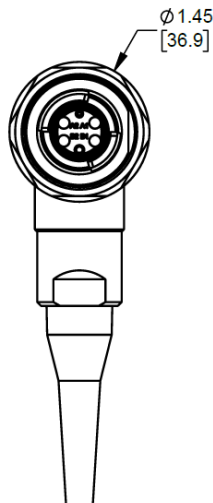
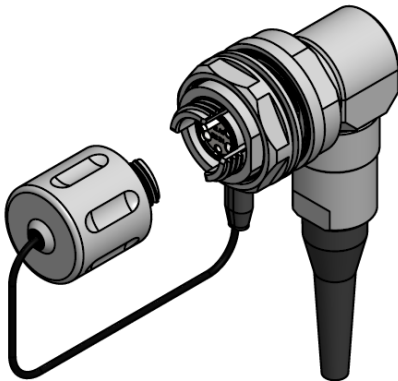
QMini 90° Sealed Receptacle, Jam Nut, Composite Dust Cover:

QMINI90S-RJHX-XXXX-SXX



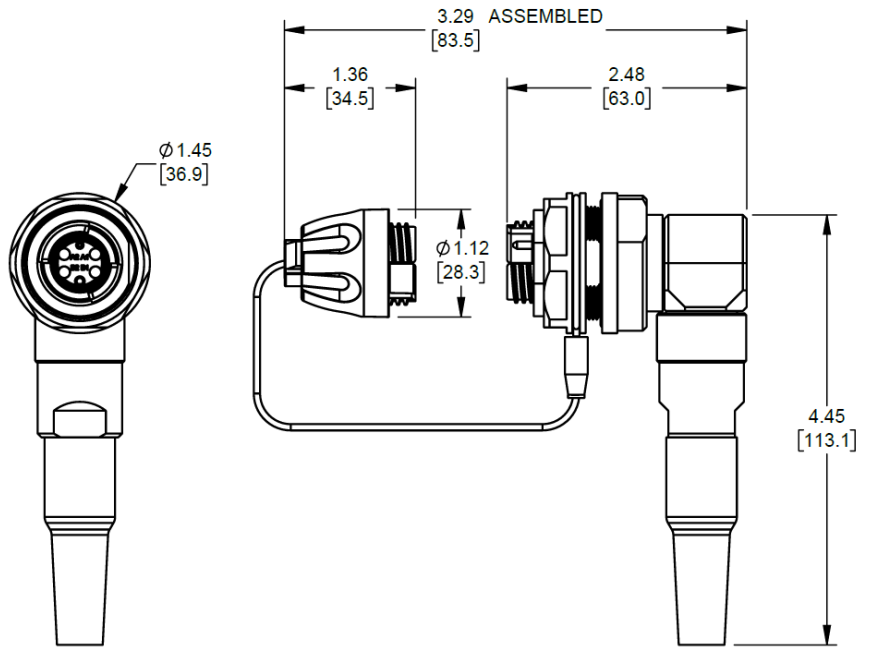
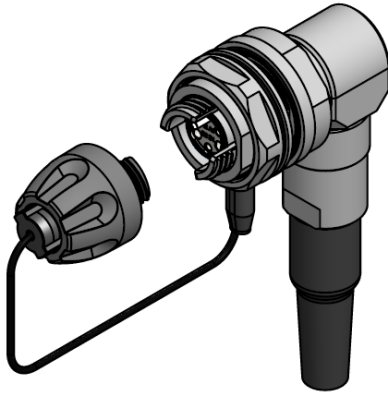
QMini 90° Sealed Receptacle, Jam Nut, Metal Dust Cover:

QMINI90S-RJEX-XXXX-SXX



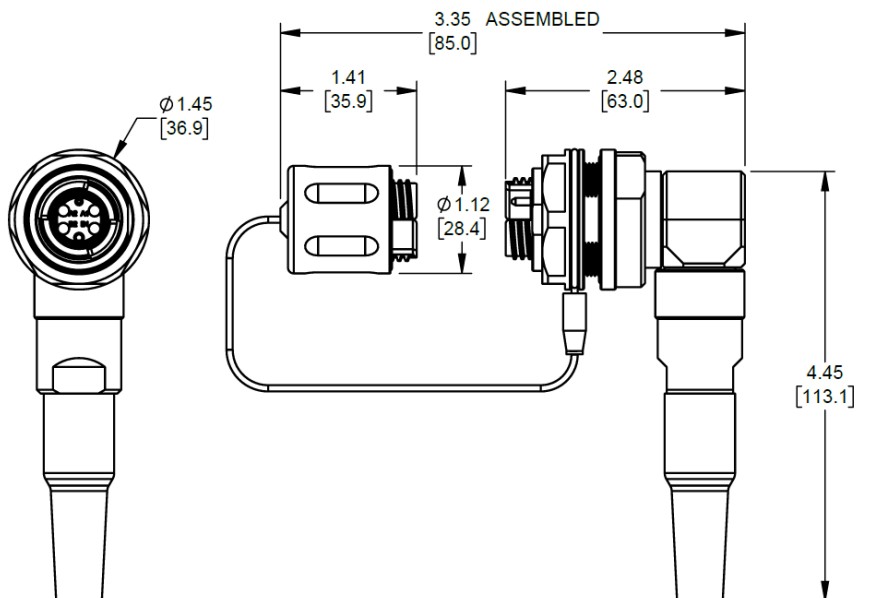
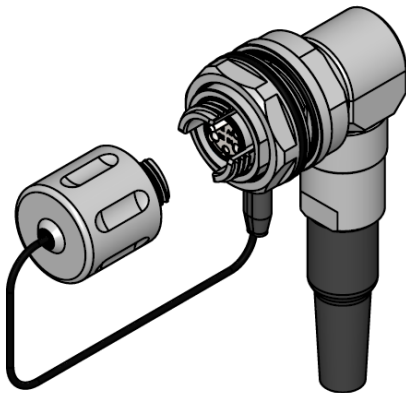
QMini 90° Sealed Receptacle, Jam Nut, 10.5mm Heat Shrink Strain Relief, Composite Dust Cover:

QMINI90S-RJHX-XXXX-S105



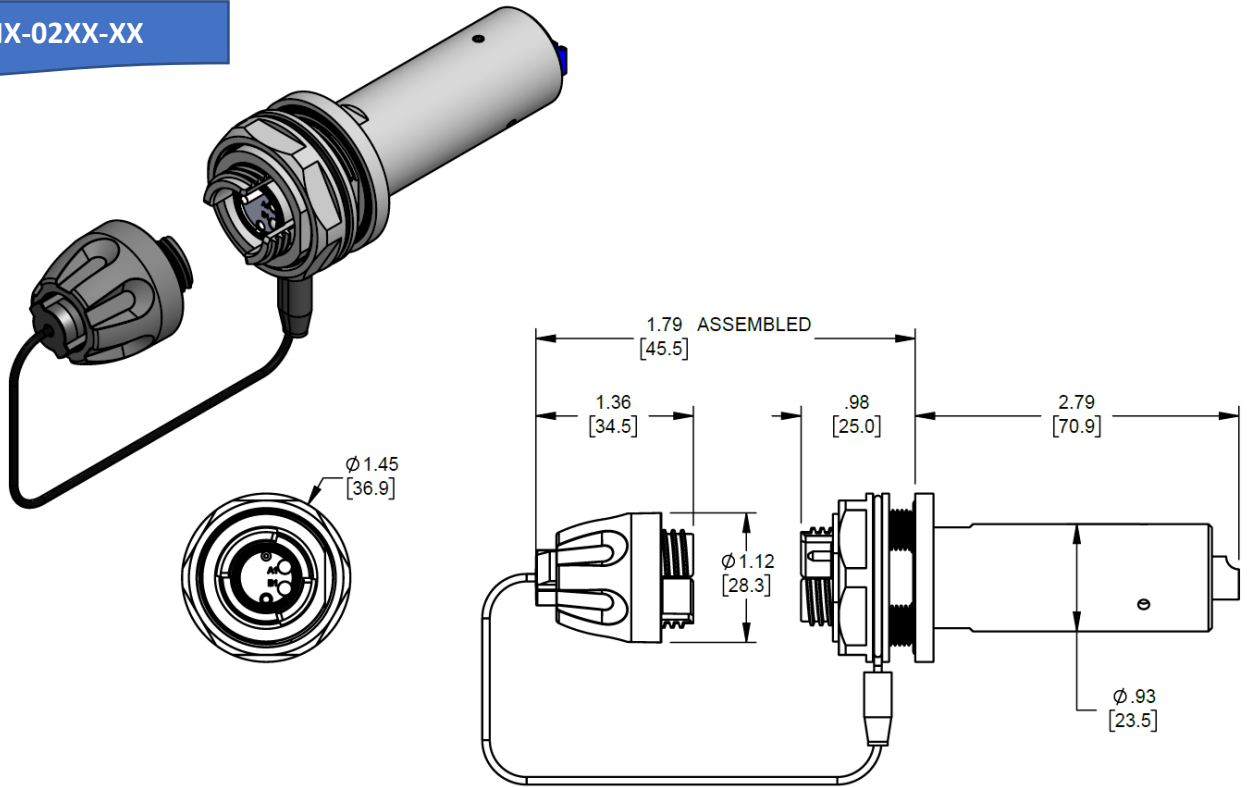
QMini 90° Sealed Receptacle, Jam Nut, 10.5mm Heat Shrink Strain Relief, Metal Dust Cover:

QMINI90S-RJEX-XXXX-S105



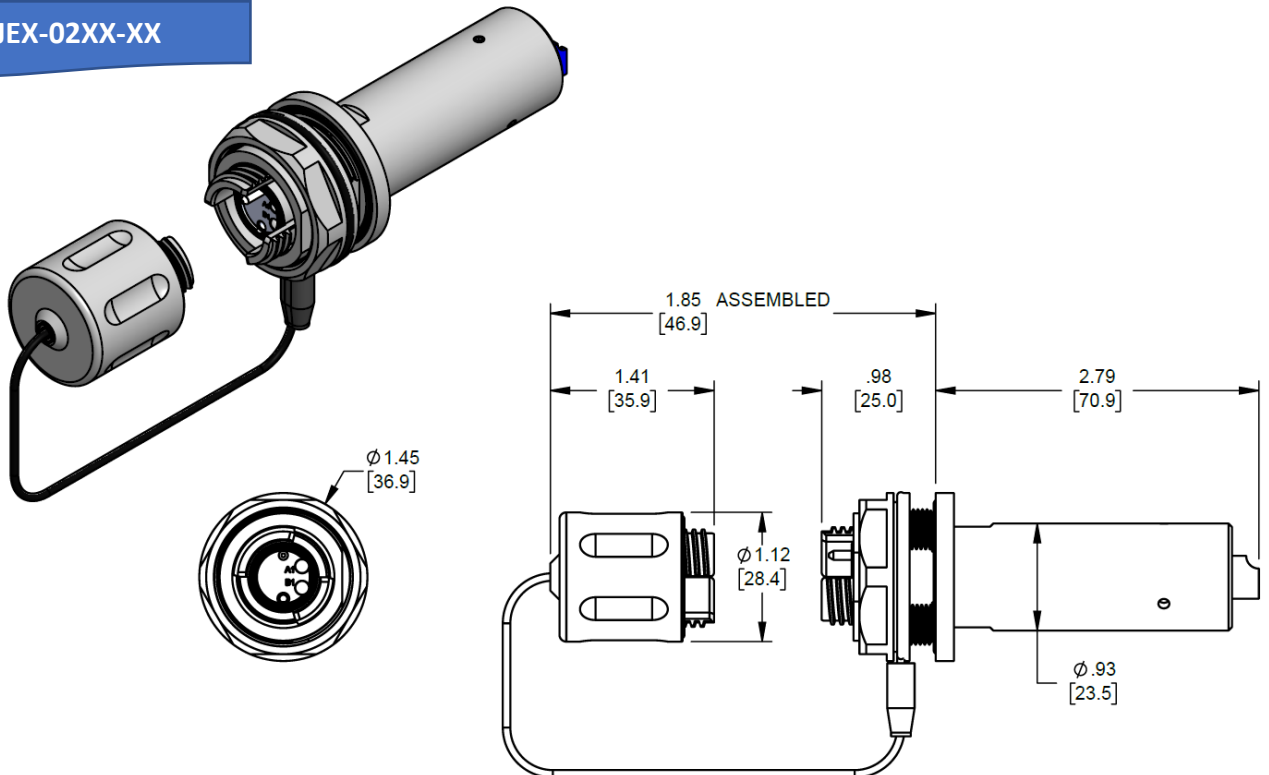
QMini LC Adapter, Jam Nut, 2CH, Composite Dust Cover:

QMINILC-RJHX-02XX-XX



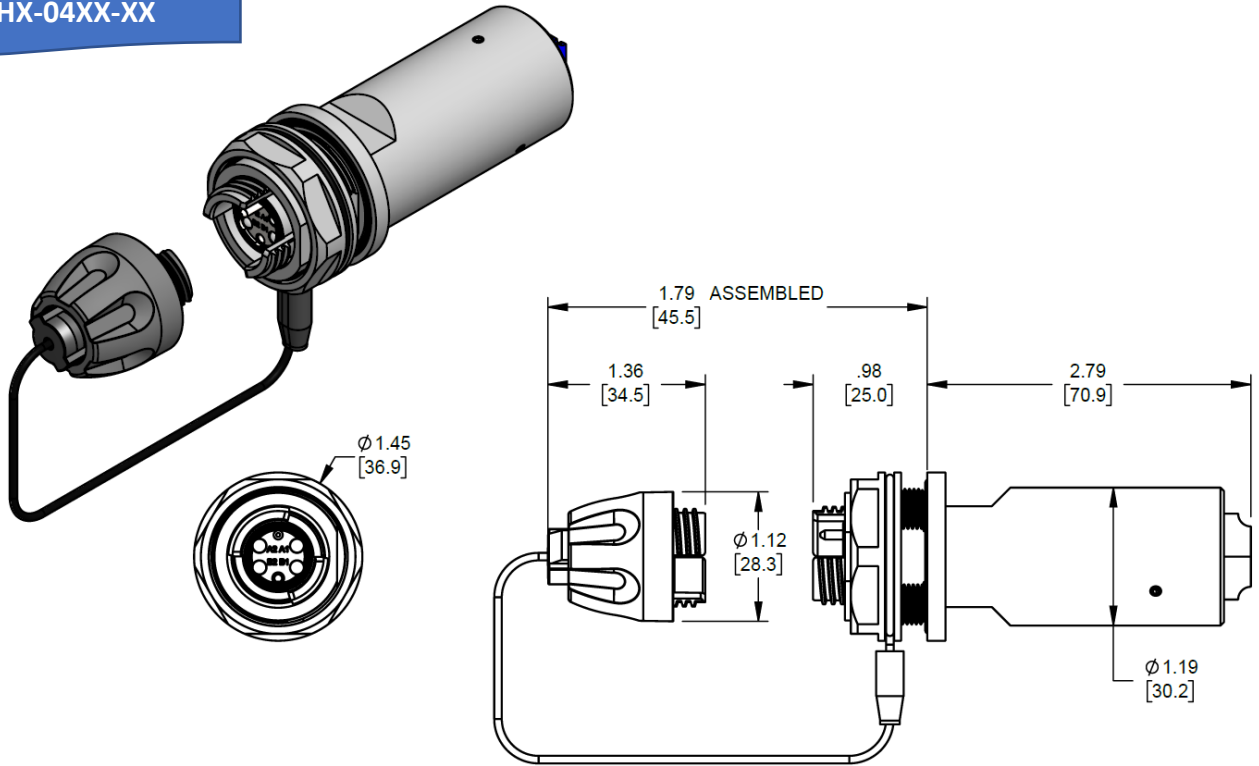
QMini LC Adapter, Jam Nut, 2CH, Metal Dust Cover:

QMINILC-RJEX-02XX-XX



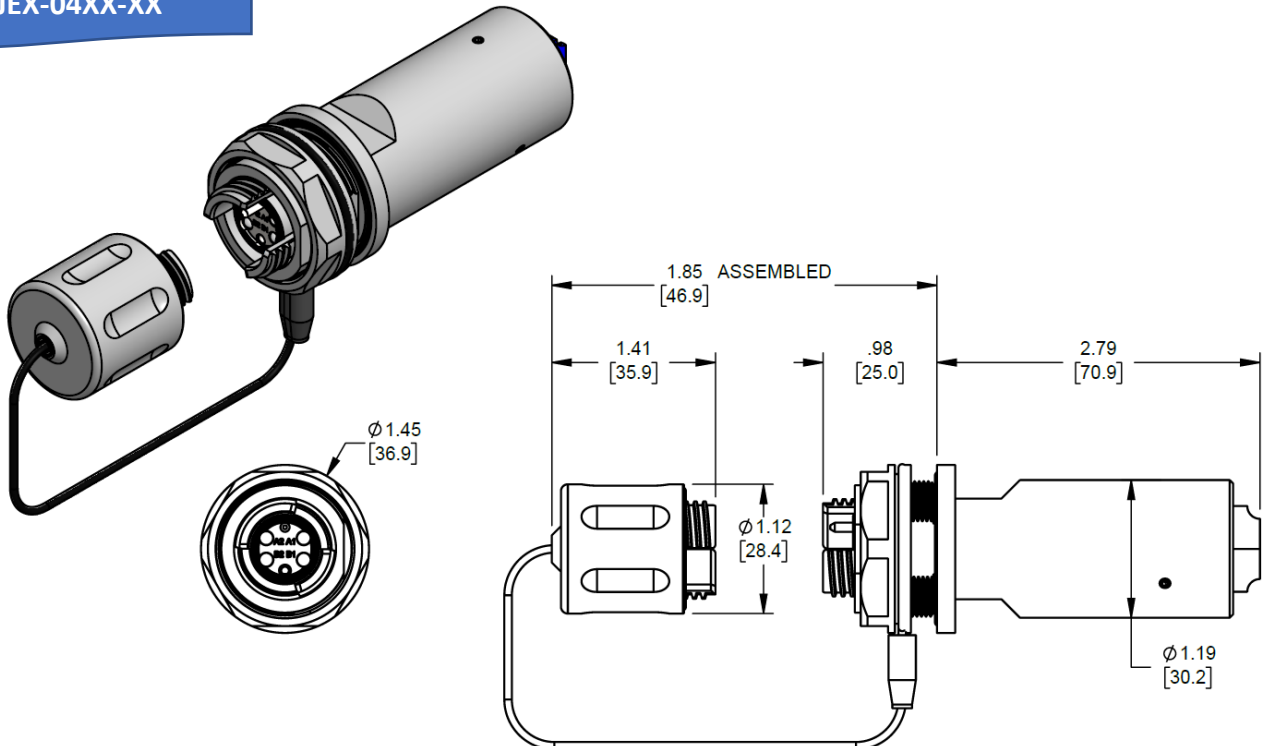
QMini LC Adapter, Jam Nut, 4CH, Composite Dust Cover:

QMINILC-RJHX-04XX-XX



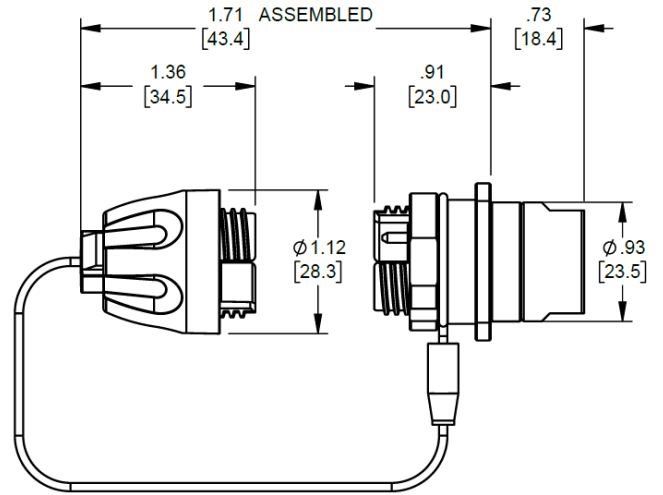
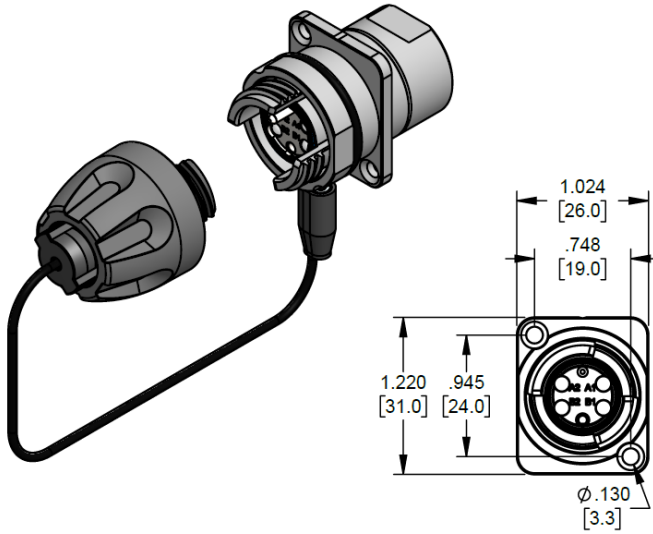
QMini LC Adapter, Jam Nut, 4CH, Metal Dust Cover:

QMINILC-RJEX-04XX-XX



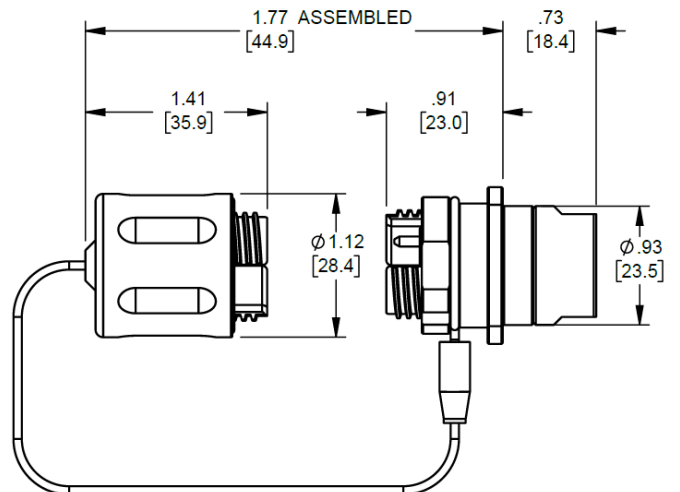
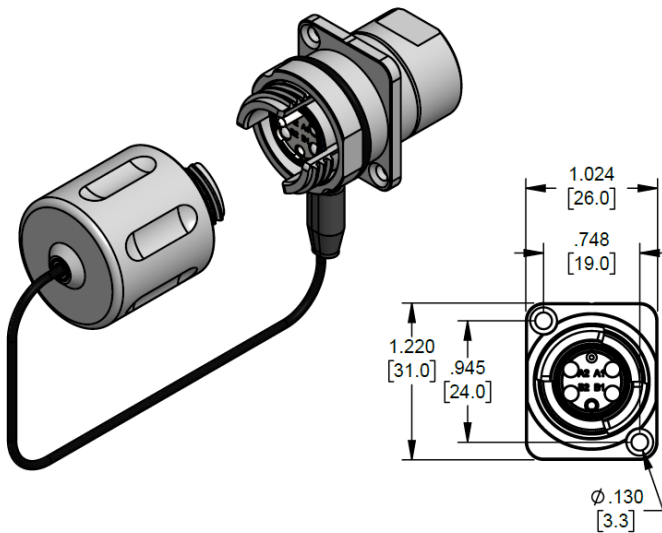
QMini Receptacle, Flange Mount, Rx, No Backshell, Composite Dust Cover:

QMINI-RXHX-XXXX-S0X
QMINI-RXHX-XXXX-SE2



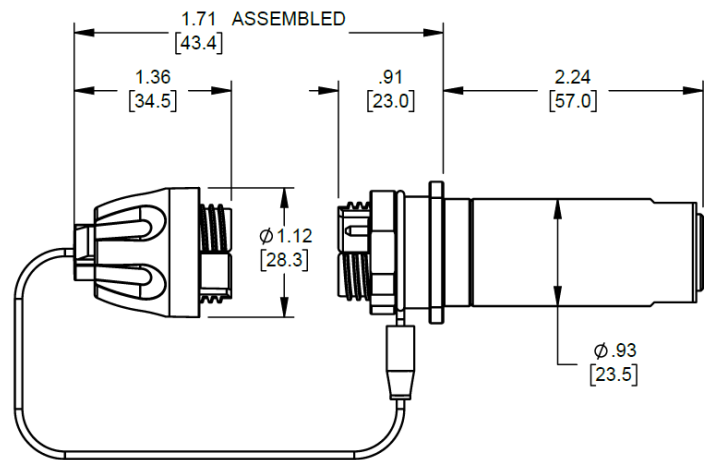
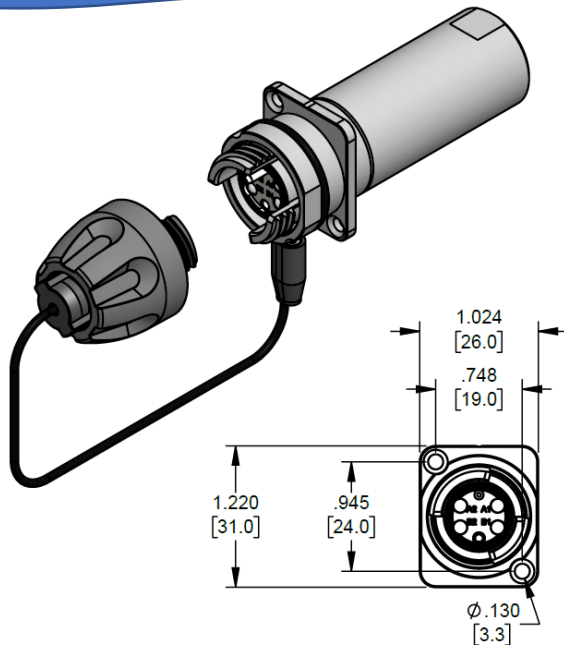
QMini Receptacle, Flange Mount, Rx, No Backshell, Metal Dust Cover:

QMINI-RXEX-XXXX-S0X
QMINI-RXEX-XXXX-SE2



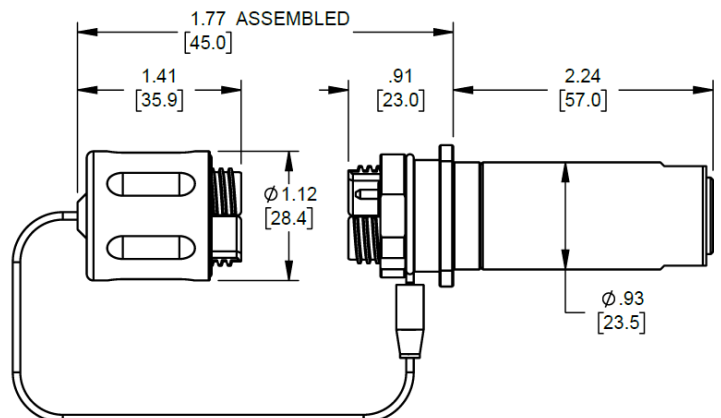
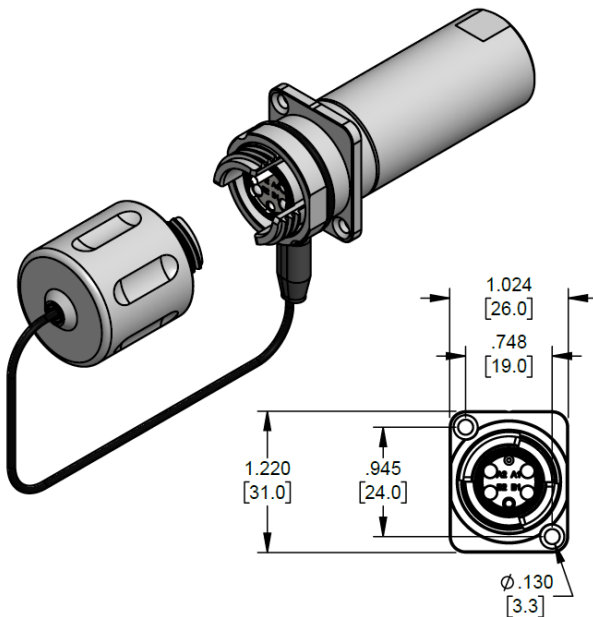
QMini Receptacle, Flange Mount, Rx, Low Profile Backshell, Composite Dust Cover:

QMINI-RXHX-XXXX-LXX



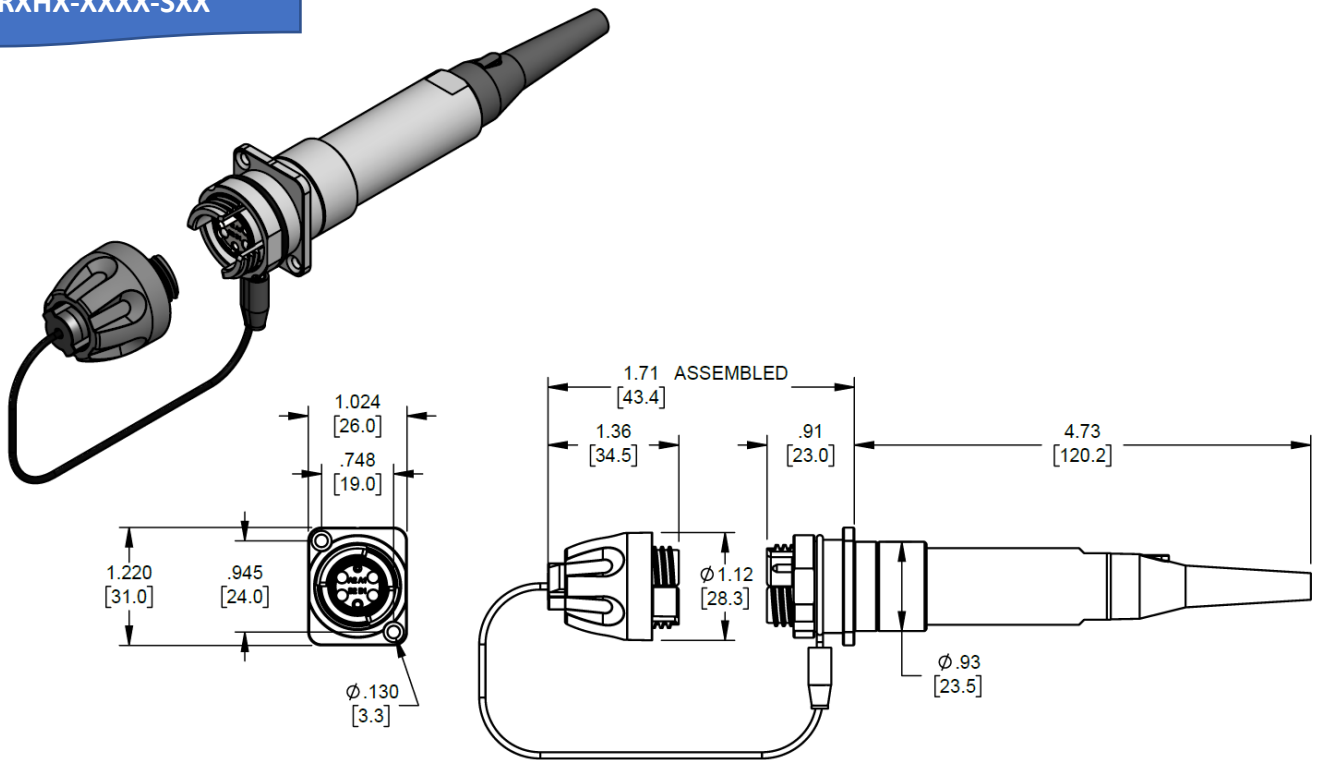
QMini Receptacle, Flange Mount, Rx, Low Profile Backshell, Metal Dust Cover:

QMINI-RXEX-XXXX-LXX



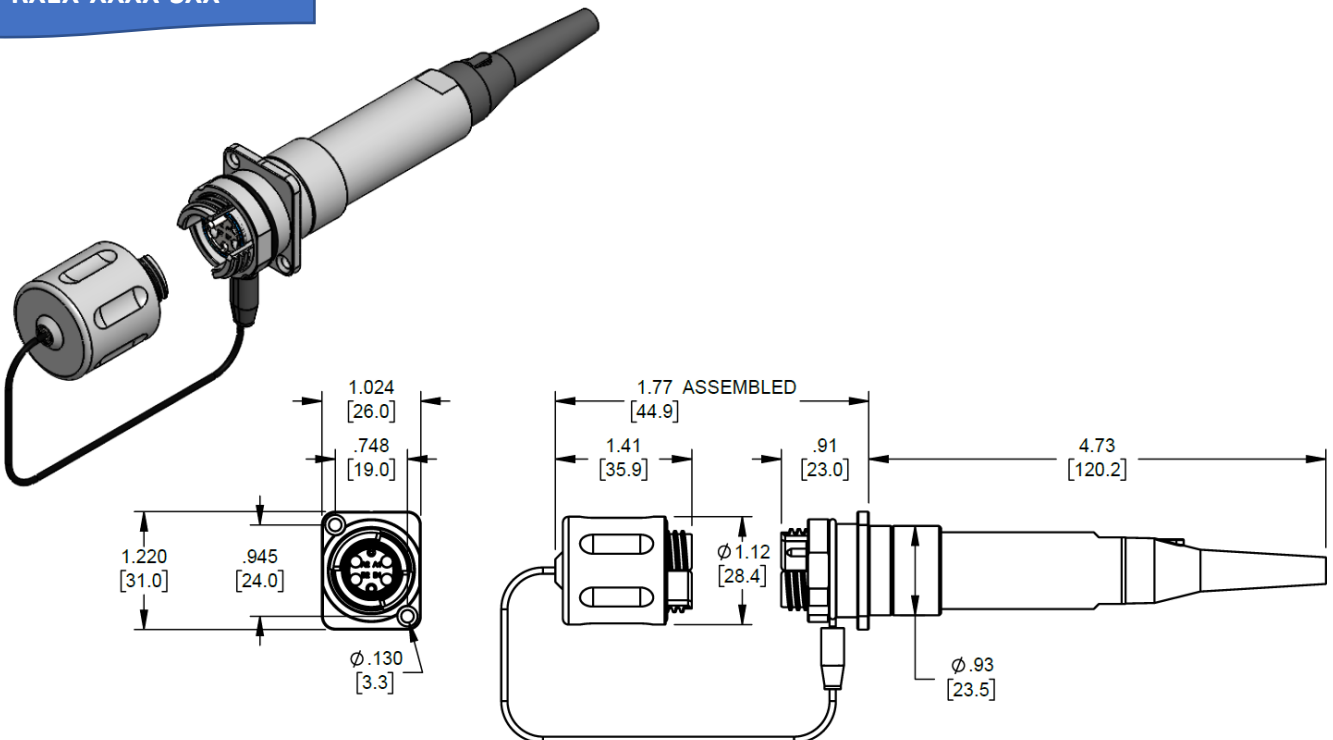
QMini Receptacle, Flange Mount, Rx, Backshell, Composite Dust Cover:

QMINI-RXHX-XXXX-SXX



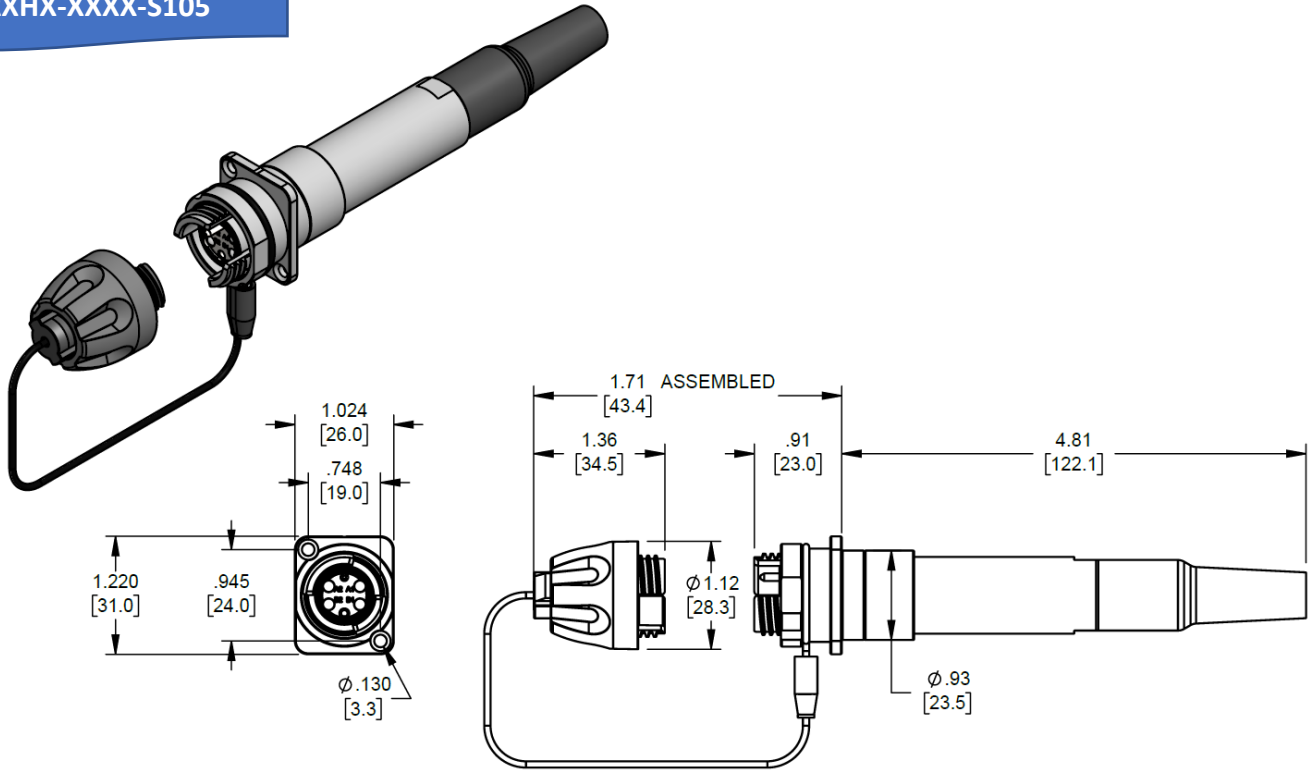
QMini Receptacle, Flange Mount, Rx, Backshell, Metal Dust Cover:

QMINI-RXEX-XXXX-SXX



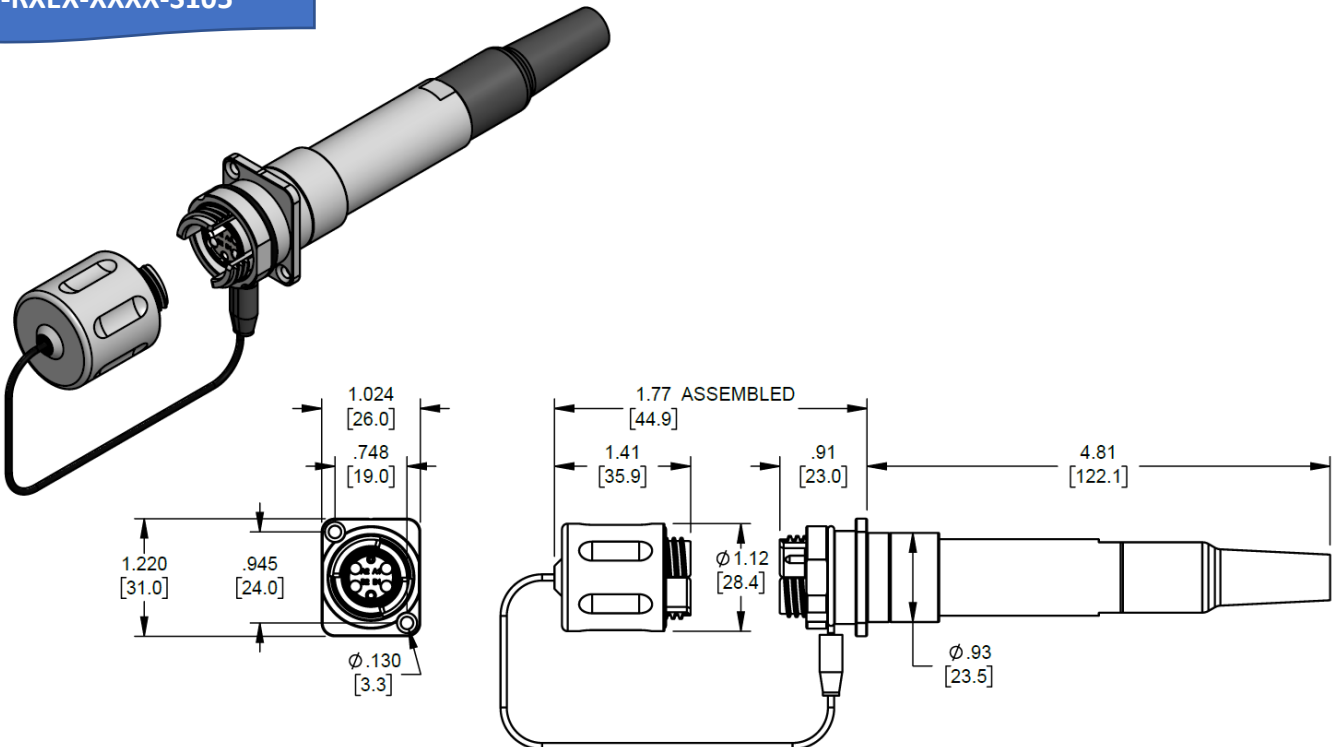
QMini Receptacle, Flange Mount, Rx, 10.5mm Heat Shrink Strain Relief, Composite Dust Cover:

QMINI-RXHX-XXXX-S105



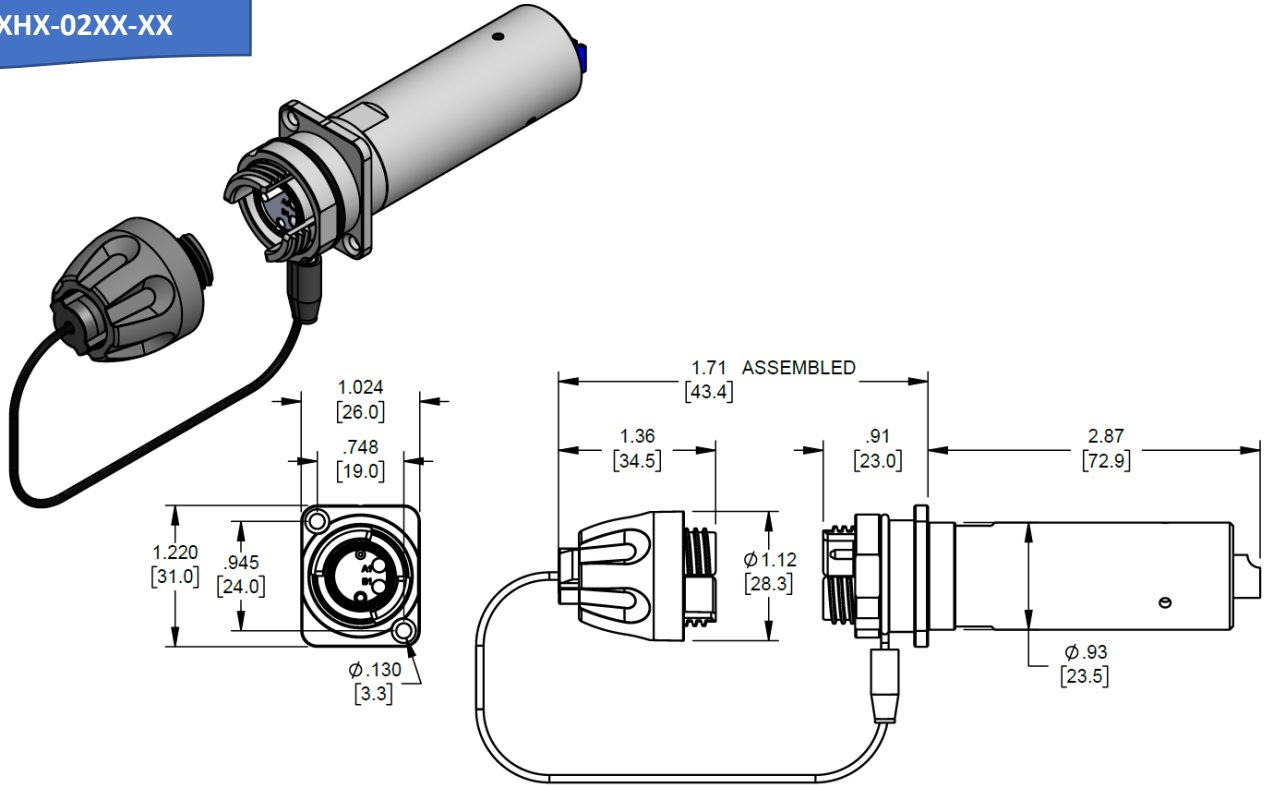
QMini Receptacle, Flange Mount, Rx, 10.5mm Heat Shrink Strain Relief, Metal Dust Cover:

QMINI-RXEX-XXXX-S105



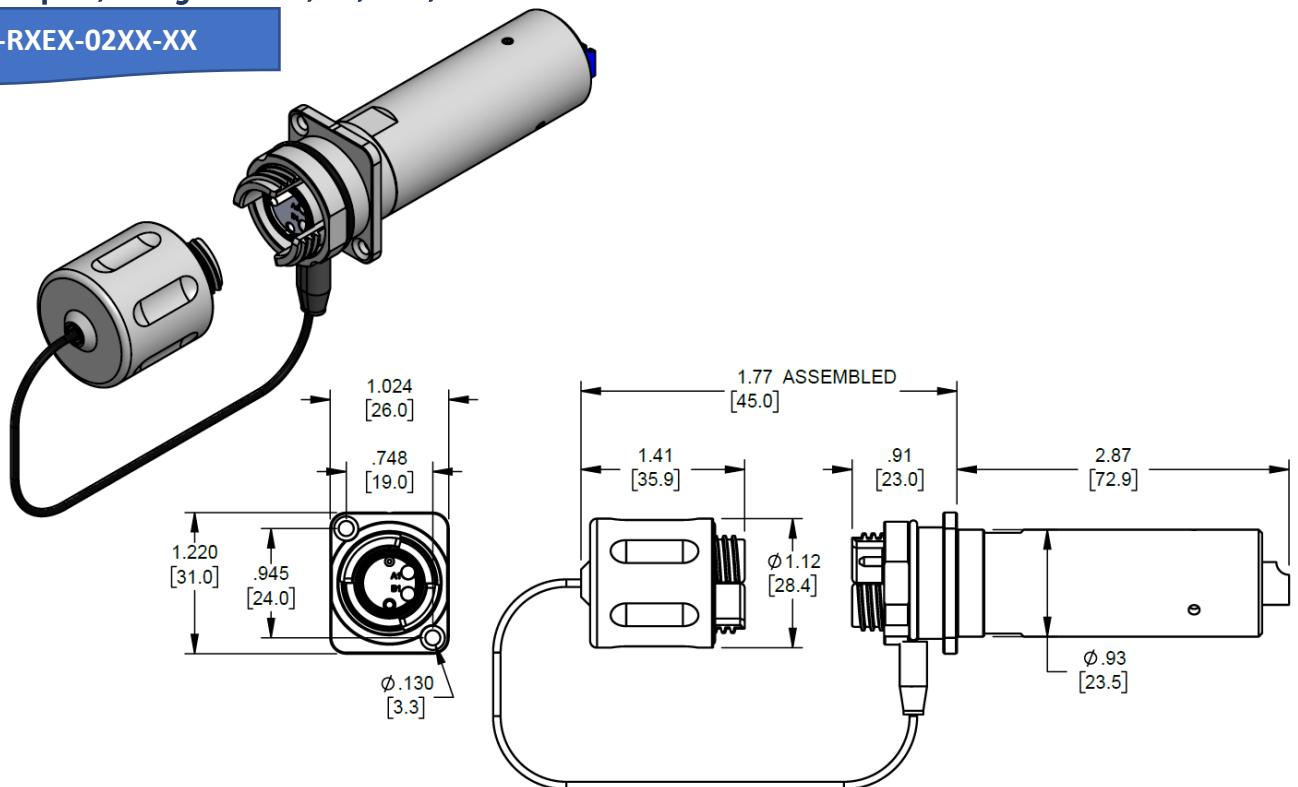
QMini LC Adapter, Flange Mount, Rx, 2CH, Composite Dust Cover:

QMINILC-RXHX-02XX-XX

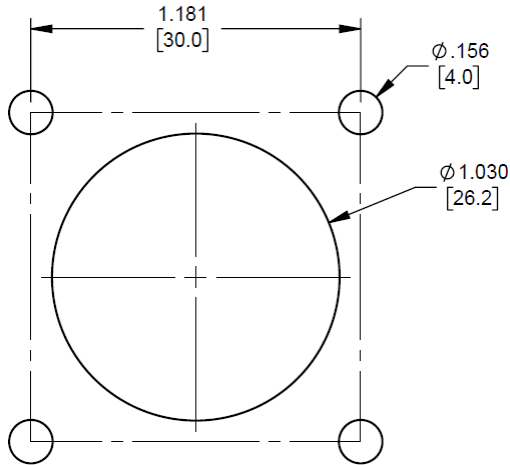


QMini LC Adapter, Flange Mount, Rx, 2CH, Metal Dust Cover:

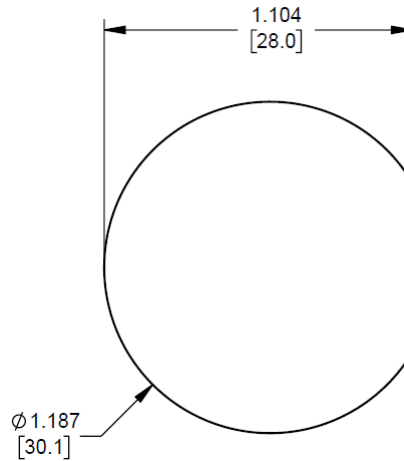
QMINILC-RXEX-02XX-XX



QMini Receptacle & QMini LC Adapter Panel Cutouts:

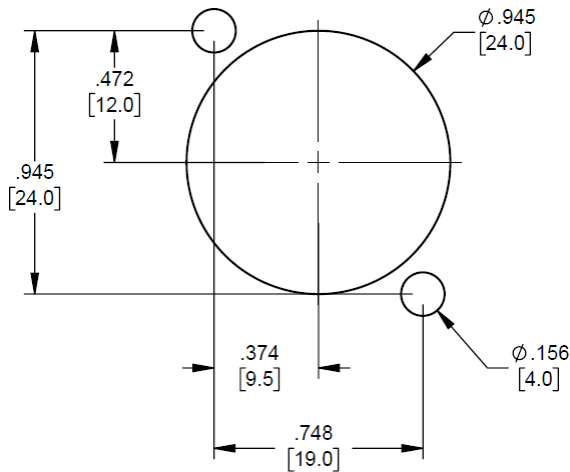


Flange Mount (RF)



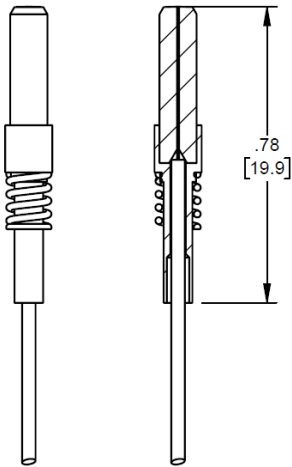
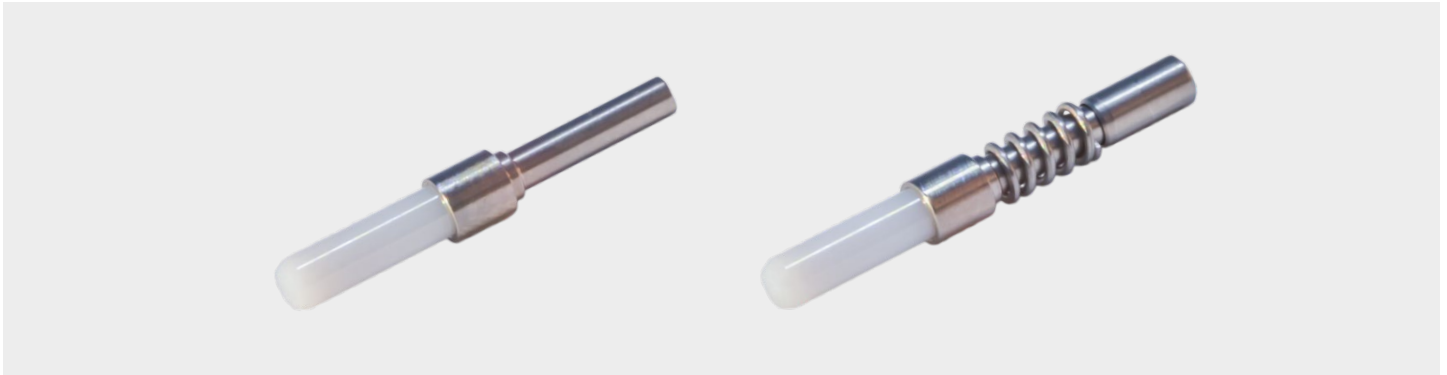
Jam Nut (RJ)

Maximum Panel Thickness: 0.25" (6.35mm)

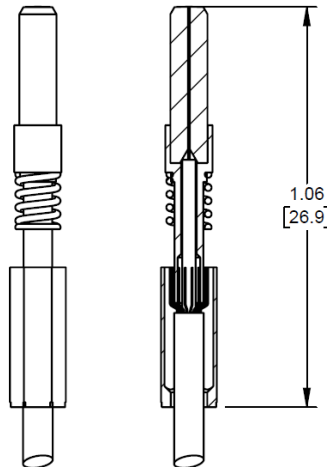


Flange Mount, XLR Compatible (RX)

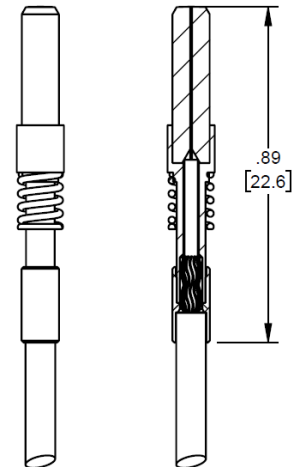
QMini Termini:



QM-TRM
(No Crimp, 900µm Fiber)



QM-TRM & QMINI-CMP-2MM
(With Crimp, 2mm Cable)



QM-TRM-E2
(Epoxy Cup, 2mm Cable)

PART NUMBER	DESCRIPTION
QM-TRM	Terminus Assembly; QMini; 2.5mm Ferrule OD; 125.5µm Singlemode / Multimode
QM-TRM-E2	Terminus Assembly; QMini; 2.5mm Ferrule OD; 125.5µm Singlemode / Multimode; Epoxy Cup for 2mm Cable OD
QMINI-CMP-2MM	Crimp Sleeve, 2.0mm, Stainless Steel

* To retain a 2mm jacketed cable or subunit, the QMini Insert can accept Termini with traditional crimps or the E2 Style Epoxy Cup Termini.

QMini Inserts:

PART NUMBER	DESCRIPTION
QMINI-INS-02SM	QMini Insert; 2 Channel; Singlemode (1310/1550nm); Includes Termini Retainer Plate and Screw
QMINI-INS-02MM	QMini Insert; 2 Channel; Multimode (850/1300nm); Includes Termini Retainer Plate and Screw
QMINI-INS-04SM	QMini Insert; 4 Channel; Singlemode (1310/1550nm); Includes Termini Retainer Plate and Screw
QMINI-INS-04MM	QMini Insert; 4 Channel; Multimode (850/1300nm); Includes Termini Retainer Plate and Screw

QMini Replacement Dust Covers:

PART NUMBER	DESCRIPTION
QMINI-DCHPP	Dust Cover; QMini; Plug; Composite; Black
QMINI-DCHPN	Dust Cover; QMini; Plug; Aluminum; Hard Anodize; Black
QMINI-DCHPS	Dust Cover; QMini; Plug; Stainless Steel; Passivated
QMINI-DCHPK	Dust Cover; QMini; Plug; Aluminum; Zinc over Nickel; Black
QMINI-DCHPZ	Dust Cover; QMini; Plug; Aluminum; Zinc over Nickel; Olive Drab
QMINI-DCHRP	Dust Cover; QMini; Receptacle; Composite; Black
QMINI-DCHRN	Dust Cover; QMini; Receptacle; Aluminum; Hard Anodize; Black
QMINI-DCHRS	Dust Cover; QMini; Receptacle; Stainless Steel; Passivated
QMINI-DCHRK	Dust Cover; QMini; Receptacle; Aluminum; Zinc over Nickel; Black
QMINI-DCHRZ	Dust Cover; QMini; Receptacle; Aluminum; Zinc over Nickel; Olive Drab
QMINI90-DCHPP	Dust Cover; QMini; 90° Plug; Composite; Black
QMINI90-DCHPN	Dust Cover; QMini; 90° Plug; Aluminum; Hard Anodize; Black
QMINI90-DCHPS	Dust Cover; QMini; 90° Plug; Stainless Steel; Passivated
QMINI90-DCHPK	Dust Cover; QMini; 90° Plug; Aluminum; Zinc over Nickel; Black
QMINI90-DCHPZ	Dust Cover; QMini; 90° Plug; Aluminum; Zinc over Nickel; Olive Drab

QMini Cable Interface Kits:

PART NUMBER	DESCRIPTION
QMINI-SRK-45	Cable Interface Kit; QMini; Includes: Crimp, Crimp Support, Cable Seal, & Bend Limiter Boot; for Cable OD (3.6mm - 4.5mm)
QMINI-SRK-55	Cable Interface Kit; QMini; Includes: Crimp, Crimp Support, Cable Seal, & Bend Limiter Boot; for Cable OD (4.6mm - 5.5mm)
QMINI-SRK-65	Cable Interface Kit; QMini; Includes: Crimp, Crimp Support, Cable Seal, & Bend Limiter Boot; for Cable OD (5.6mm - 6.5mm)
QMINI-SRK-75	Cable Interface Kit; QMini; Includes: Crimp, Crimp Support, Cable Seal, & Bend Limiter Boot; for Cable OD (6.6mm - 7.5mm)
QMINI-SRK-105	Cable Interface Kit; QMini; Includes: Crimp, Crimp Support, Cable Seal, & Heat Shrink Boot; for Cable OD (7.6mm - 10.5mm)

QMini Cable Crimps:

PART NUMBER	DESCRIPTION
CP-030-C	Crimp; Strain Relief; .38 Inch Form Factor; Brass
CS-002-C	Crimp Support; 4 x 2.0mm; .38 Inch Form Factor; Brass
CS-045-C	Crimp Support; 3.6mm-4.5mm Cable OD; .38 Inch Form Factor; Brass
CS-055-C	Crimp Support; 4.6mm-5.5mm Cable OD; .38 Inch Form Factor; Brass
CS-065-C	Crimp Support; 5.6mm-6.5mm Cable OD; .38 Inch Form Factor; Brass

QMini Tools:

PART NUMBER	DESCRIPTION
TK-046	QMini Tool Kit (Includes all items below)
PT-388	QMini / QMicro Torque Fixture Stand
PT-618	QMini Torque Fixture
PT-540	Hydraulic Hand Crimping Tool
PT-541	Die Set, 0.314 Hex for Hydraulic Hand Crimper
PT-005	Fiber Optic Termini Crimp Tool, 2mm & 3mm (Hex Sizes .100 / .125 / .147)

Notes & Sketches:

A large grid area for notes and sketches, consisting of 20 columns and 30 rows of small squares.

Notes & Sketches:

A large grid area for notes and sketches, consisting of 20 columns and 30 rows of small squares.

Notes & Sketches:

A large grid area for notes and sketches, consisting of 20 columns and 30 rows of small squares.

QFC

ENGINEERED FIBER OPTIC SOLUTIONS

Military Aerospace Shipboard Industrial Mining Transportation Oil & Gas Broadcast Manufacturing Marine Energy Medical

