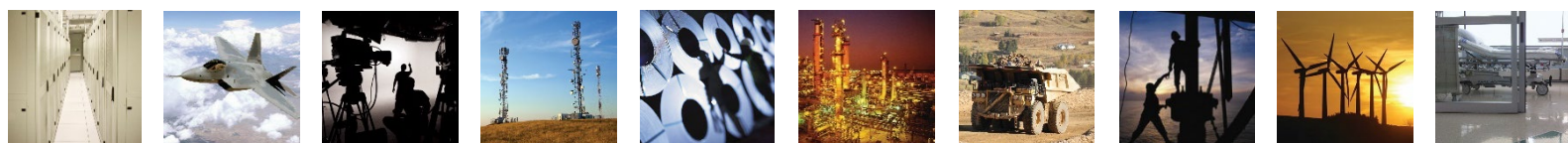


QLink Custom Hybrid Connectors



**QPC is ISO 9001:2015 and
AS9100D Certified**

Military Aerospace Shipboard Industrial Mining Transportation Oil & Gas Broadcast Manufacturing Marine Energy Medical



Contents	
Product Introduction	Page 1
Specifications	Page 2
Part Number Builders	Page 3 - 4
Plug and Receptacle Threaded Line Drawings	Page 5 – 13
Plug and Receptacle Hermaphroditic Line Drawings	Page 14 – 22
Plug and Receptacle Locking Hermaphroditic Line Drawings	Page 23 – 31
Plug and Receptacle Reverse Bayonet Line Drawings	Page 32 – 40
Receptacle Panel Cutouts	Page 41
Insert Layout Options	Page 42 – 45
Strain Relief Options	Page 46 – 48
Termini and Contact Options	Page 49 – 52
Tools	Page 53 – 54

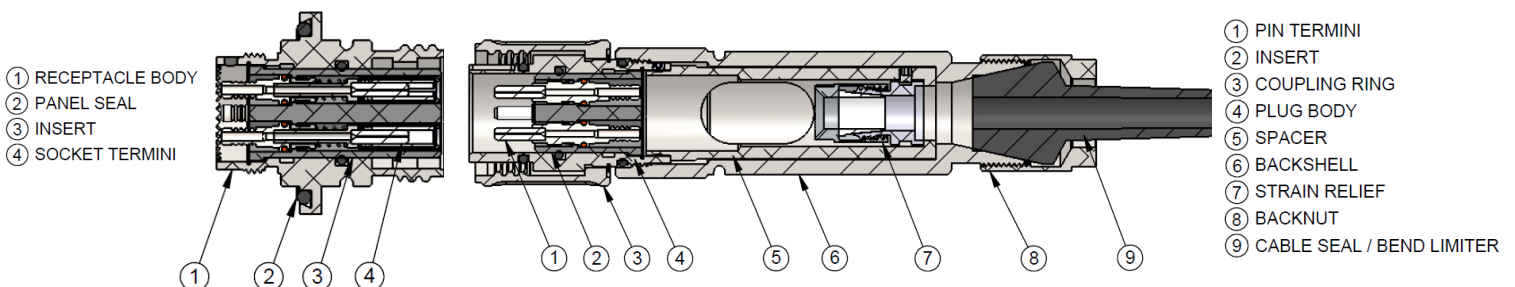


QPC's QLink Connector line is a versatile interconnect platform designed for harsh environments. The product line includes ten standard shell sizes in two materials, three different coupling mechanisms, and options for traditional pin and socket plugs and receptacles as well as hermaphroditic configurations to allow daisy chaining of multiple plug assemblies. The hermaphroditic plugs can be equipped with an optional coupling ring locking feature that allows easier demating of high channel count plugs. Using either molded boots or wire mesh cable grips, QLink Connectors can accommodate a wide range of cable diameters as well as a variety of tubing, monocoil, and conduit.

QLink Connectors feature an innovative insert design that allows the different connector types for each shell size to use the same insert blanks, greatly reducing manufacturing lead times. QLink inserts are made of Ultem 1000, a high strength composite with excellent dielectric properties, and they can accommodate any combination of fiber optic termini and copper contacts. Because the termini / contacts are self-retaining, they can be positioned anywhere on the insert. QPC stocks the QLink Connector shells, blank inserts, and strain relief components, so making a custom connector is as easy as defining the insert layout, machining the cavities, and packaging it in the preferred connector body. This enables QPC to deliver application specific connectors in weeks not months. See Pages 36-39 for current insert options and contact QPC for any custom needs.

QLink Connectors are used in Military / Aerospace, Oil & Gas, Mining, Factory Automation, Heavy Equipment, Marine, Broadcast, Medical, for Communications, Audio / Video, and Sensing Applications.

- Mass Customizable Hybrid Connector System
- 2CH to 30CH, 10 x Shell Sizes, 1.0" to 2.5" OD
- MT Configuration up to 144CH
- Threaded, Hermaphroditic, and Reverse Bayonet Couplings
- Plugs, Jam Nut and Flange Mount Receptacles with and without Backshells for Cable ODs up to 1" (25.0mm)
- 2.5mm Fiber Optic Termini (Spherical or Angled), Expanded Beam Termini, MT Ferrules, Power / Signal Copper Contacts
- Rear Accessory Threads to Accommodate a Variety of Backshells and Conduit Adapters
- 45° and 90° Backshell Options Available for tight clearance applications



Specifications:

	Fiber Optic Termini			Power / Signal Copper Contacts		
	2.5mm	MT Ferrule	Expanded Beam	Size 16 (1.6mm)	Size 12 (2.4mm)	Size 8 (3.6mm)
Insertion Loss: SM (9/125µm)	0.10-1.0dB Max.	0.35-1.0dB Max.	0.75-1.5dB Max.	NA		
Insertion Loss: MM (50/125µm)	0.10-1.0dB Max.	0.35-1.0dB Max.	0.75-1.5dB Max.	NA		
Insertion Loss: MM (62.5/125µm)	0.10-1.0dB Max.	0.35-1.0dB Max.	0.75-1.5dB Max.	NA		
Return Loss: SM (9/125µm)	-55dB UPC -65dB APC	-60dB	-34dB	NA		
Wire Size Range:	NA			26 to 16 AWG	14 to 12 AWG	12 to 8 AWG
Current Rating:	NA			13A ¹	26A ¹	44A ¹
Voltage:	NA			600V	600V	600V
Contact Resistance:	NA			≤ 3mΩ	≤ 5mΩ	≤ 5mΩ
Plating:	NA			Min 0.4µ Gold all over, over Nickel	Min 0.4µ Gold all over, over Nickel	3µm Silver all over
Operating Temperature:	-40°C to +85°C	-40°C to +75°C	-40°C to +85°C			
Vibration:	10 to 2000Hz / 15g EIA/TIA-455-11, Cond. III	10 to 55Hz EIA/TIA-455-11, Cond. I	10 to 2000Hz / 15g EIA/TIA-455-11, Cond. III			
Mating Durability:	2000 Cycles	500 Cycles	2000 Cycles			
Impact:	8 Impacts @ 8FT (2.4MT), EIA/TIA-455-2					
Shock:	50g for 11ms, EIA/TIA-455-14, Condition A					
IP Rating:	IP68 - Dust Tight, No ingress of dust; complete protection against contact, Water Immersion 1m					
Material & Plating Specification:	Hard Anodize: 6061-T6 Aluminum; Anodize per MIL-A-8625 TYPE III CLASS 2, .0022/.0018 Thick (50% Penetration), Black Stainless Steel: 303 Stainless Steel; PASSIVATE PER QQ-P-35					
Cable Retention:	400 lbs ²					

Specifications Notes:

¹ Current rating listed is for contacts, check wire rating for maximum.

² Cable retention depends on cable type.

* All Dimensions in this document are shown in Inches (Millimeters)

Part Number Builder, QLink Plugs and Receptacles with Straight Backshells:

Sample Part Number: QLINK-PGHS-15A1-S075	QLINK	-	PGH	S	-	15	A1	-	S075
<u>SERIES</u>									
1 QLINK									
2 <u>Connector Type</u>									
PGT - PLUG, THREADED									
PGH - PLUG, HERMAPHRODITIC									
PGL - PLUG, LOCKING HERMAPHRODITIC									
PGB - PLUG, REVERSE BAYONET									
RFT - RECP FLANGE MOUNT, THREADED									
RFH - RECP FLANGE MOUNT, HERMAPHRODITIC									
RFL - RECP FLANGE MOUNT, LOCKING HERMAPHRODITIC									
RFB - RECP FLANGE MOUNT, REVERSE BAYONET									
RJT - RECP JAM NUT, THREADED									
RJH - RECP JAM NUT, HERMAPHRODITIC									
RJL - RECP JAM NUT, LOCKING HERMAPHRODITIC									
RJB - RECP JAM NUT, REVERSE BAYONET									
3 <u>Material & Finish Code</u>									
N - ALUMINUM, BLACK HARD ANODIZE									
S - STAINLESS STEEL									
4 <u>Shell Size</u>									
13 23									
15 25									
17 27									
19 29									
21 31									
5 <u>Insert Layout</u>									
A1 - PIN TERMINI (2.5mm)									
A2 - SOCKET TERMINI (2.5mm)									
A3 - HERMAPHRODITIC PIN & SOCKET TERMINI (2.5mm)									
A4 - PIN MT									
A5 - SOCKET MT									
A6 - HERMAPHRODITIC PIN & SOCKET MT									
A7 - PIN TERMINI APC (2.5mm)									
A8 - SOCKET TERMINI APC (2.5mm)									
A9 - HERMAPHRODITIC PIN & SOCKET TERMINI APC (2.5mm)									
XX - CUSTOM INSERT LAYOUT									
6 <u>Strain Relief Identifier</u>									
See Table I or Table II									

Part Number Builder Notes:

*All Connectors Include the Standard Dust Cover

*See Pages 43-46 for Fiber Optic Termini, MT Ferrules, Power / Signal Copper Contacts

Part Number Builder, QLink Plugs and Receptacles with 45° and 90° Backshells:

Sample Part Number: QLINK90-PGHS-15A1-S075		QLINK90	-	PGH		S	-	15		A1	-	S075
SERIES												
1	QLINK45 QLINK90											
2	Connector Type PGT - PLUG, THREADED PGH - PLUG, HERMAPHRODITIC PGL - PLUG, LOCKING HERMAPHRODITIC PGB - PLUG, REVERSE BAYONET RJT - RECP JAM NUT, THREADED RJH - RECP JAM NUT, HERMAPHRODITIC RJL - RECP JAM NUT, LOCKING HERMAPHRODITIC RJB - RECP JAM NUT, REVERSE BAYONET											
3	Material & Finish Code N - ALUMINUM, BLACK HARD ANODIZE S - STAINLESS STEEL											
4	Shell Size											
	13 23											
	15 25											
	17 27											
	19 29											
	21 31											
5	Insert Layout A1 - PIN TERMINI (2.5mm) A2 - SOCKET TERMINI (2.5mm) A3 - HERMAPHRODITIC PIN & SOCKET TERMINI (2.5mm) A4 - PIN MT A5 - SOCKET MT A6 - HERMAPHRODITIC PIN & SOCKET MT A7 - PIN TERMINI APC (2.5mm) A8 - SOCKET TERMINI APC (2.5mm) A9 - HERMAPHRODITIC PIN & SOCKET TERMINI APC (2.5mm) XX - CUSTOM INSERT LAYOUT											
6	Strain Relief Identifier See Table I											

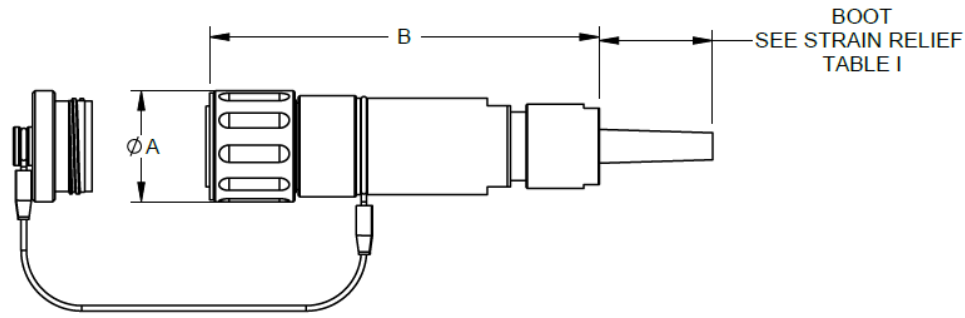
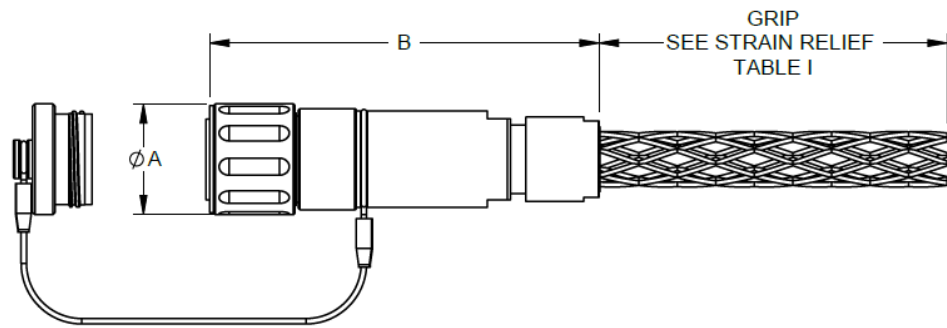
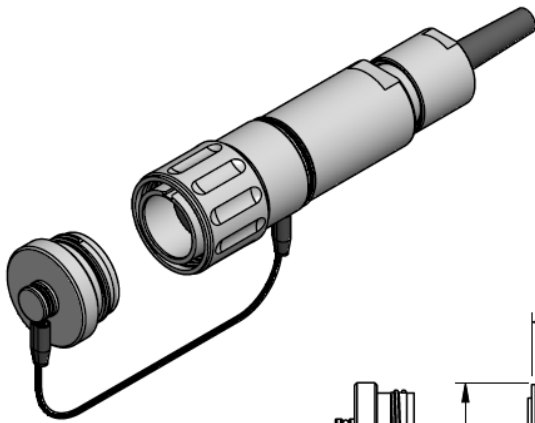
Part Number Builder Notes:

*All Connectors Include the Standard Dust Cover

*See Pages 43-46 for Fiber Optic Termini, MT Ferrules, Power / Signal Copper Contacts

QLink Plug, Threaded, Straight Backshell:

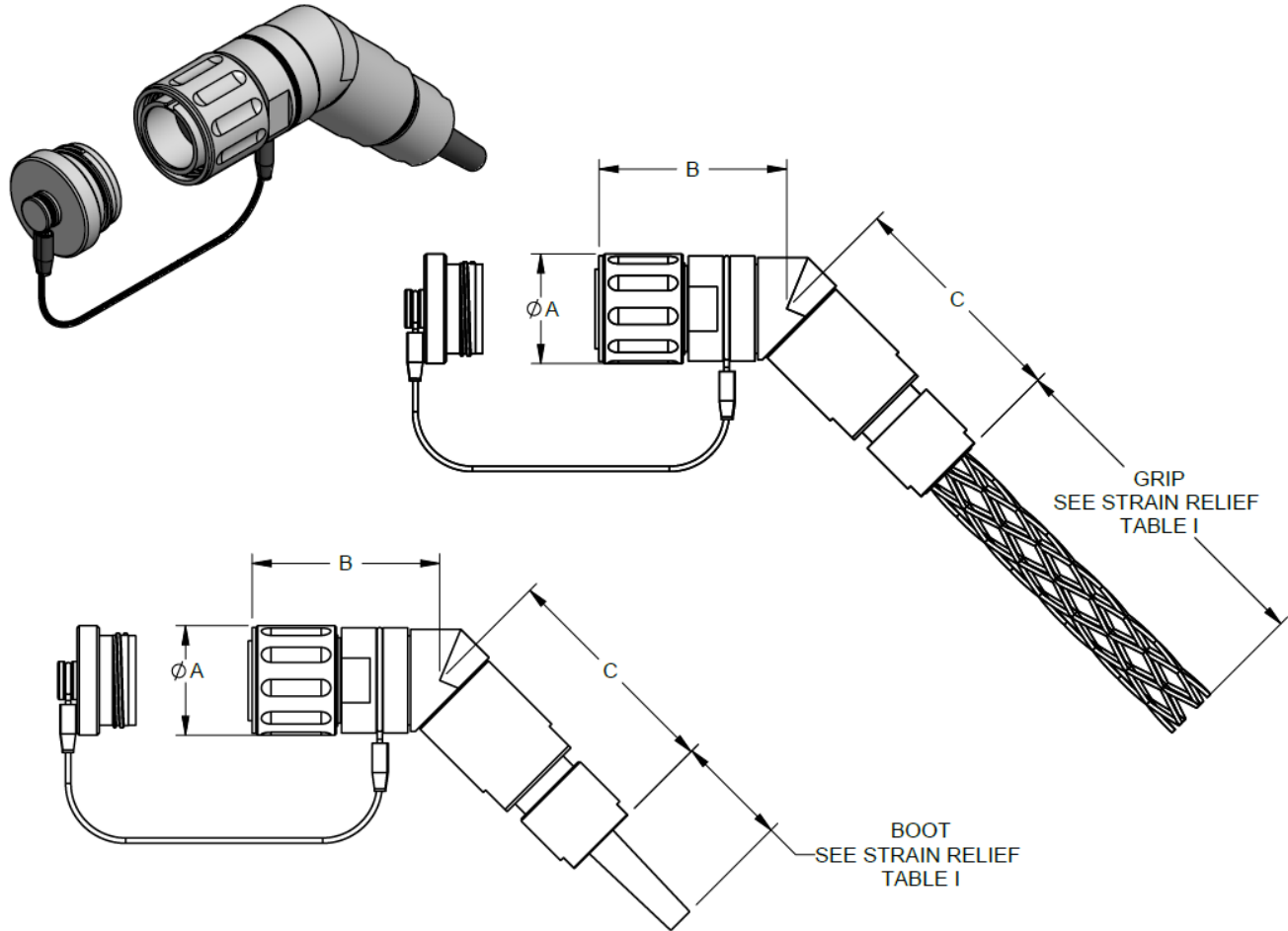
QLINK-PGTX-XXXX-XXXX



NOMINAL DIMENSIONS: in (mm)		
SHELL SIZE	A	B
13	1.063 (27.0)	5.120 (130.0)
15	1.188 (30.2)	5.120 (130.0)
17	1.313 (33.4)	5.120 (130.0)
19	1.448 (36.8)	5.120 (130.0)
21	1.584 (40.2)	5.120 (130.0)
23	1.720 (43.7)	5.120 (130.0)
25	1.850 (47.0)	5.370 (136.4)
27	1.980 (50.3)	5.370 (136.4)
29	2.110 (53.6)	5.370 (136.4)
31	2.240 (56.9)	5.370 (136.4)

QLink Plug, Threaded, 45° Backshell:

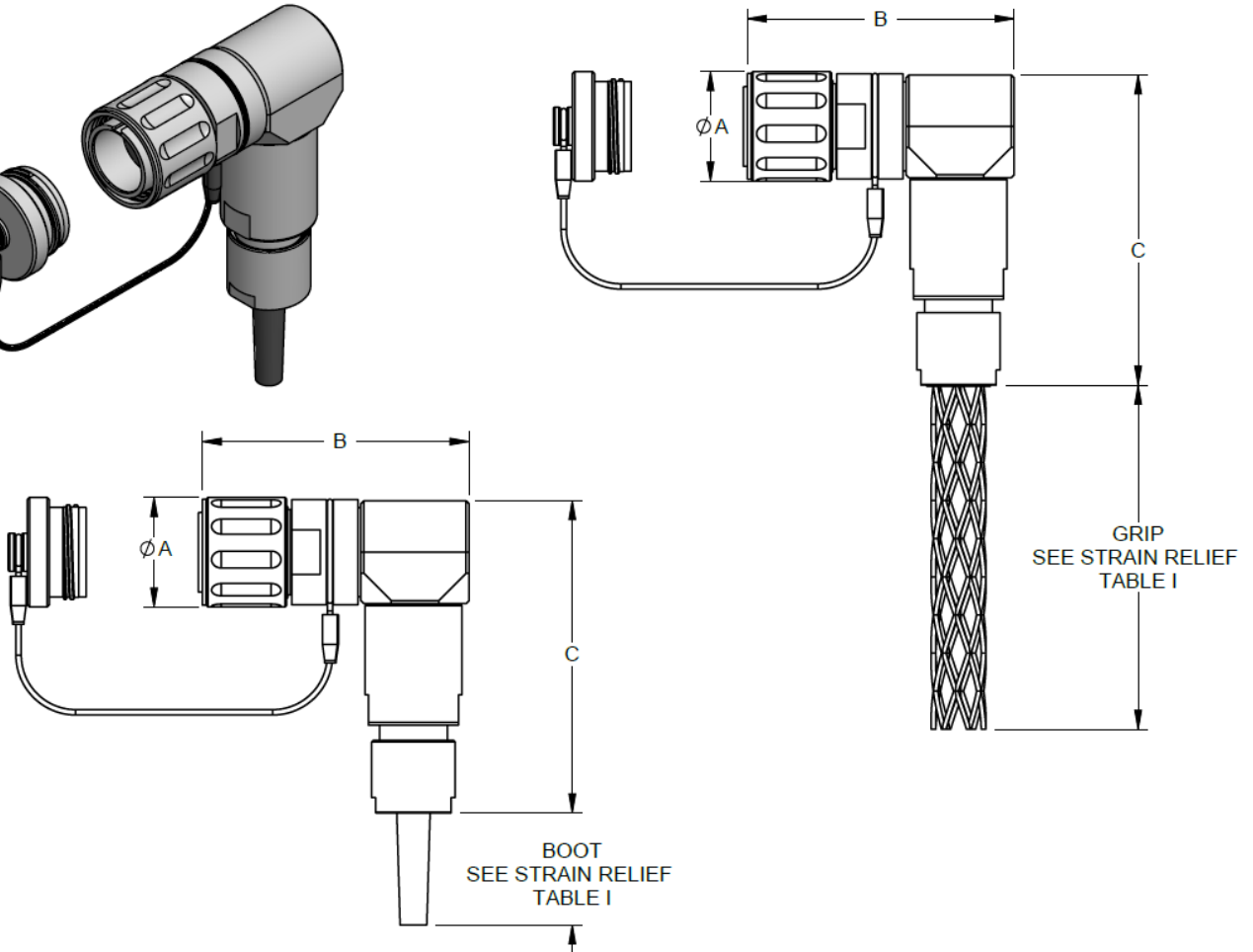
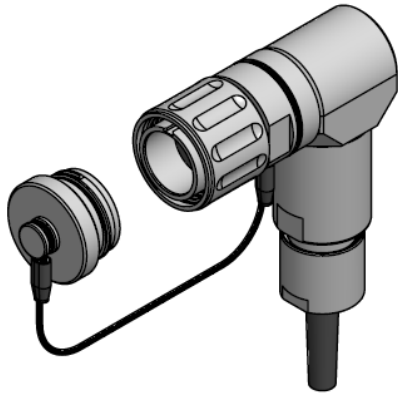
QLINK45-PGTX-XXXX-XXXX



NOMINAL DIMENSIONS: in (mm)			
SHELL SIZE	A	B	C
13	1.063 (27.0)	2.462 (62.5)	2.990 (75.9)
15	1.188 (30.2)	2.462 (62.5)	2.990 (75.9)
17	1.313 (33.4)	2.462 (62.5)	2.990 (75.9)
19	1.448 (36.8)	2.462 (62.5)	2.990 (75.9)
21	1.584 (40.2)	2.525 (64.1)	3.053 (77.5)
23	1.720 (43.7)	2.587 (65.7)	3.115 (79.1)
25	1.850 (47.0)	2.837 (75.1)	3.178 (80.7)
27	1.980 (50.3)	2.837 (75.1)	3.178 (80.7)
29	2.110 (53.6)	2.837 (75.1)	3.178 (80.7)
31	2.240 (56.9)	2.837 (75.1)	3.178 (80.7)

QLink Plug, Threaded, 90° Backshell:

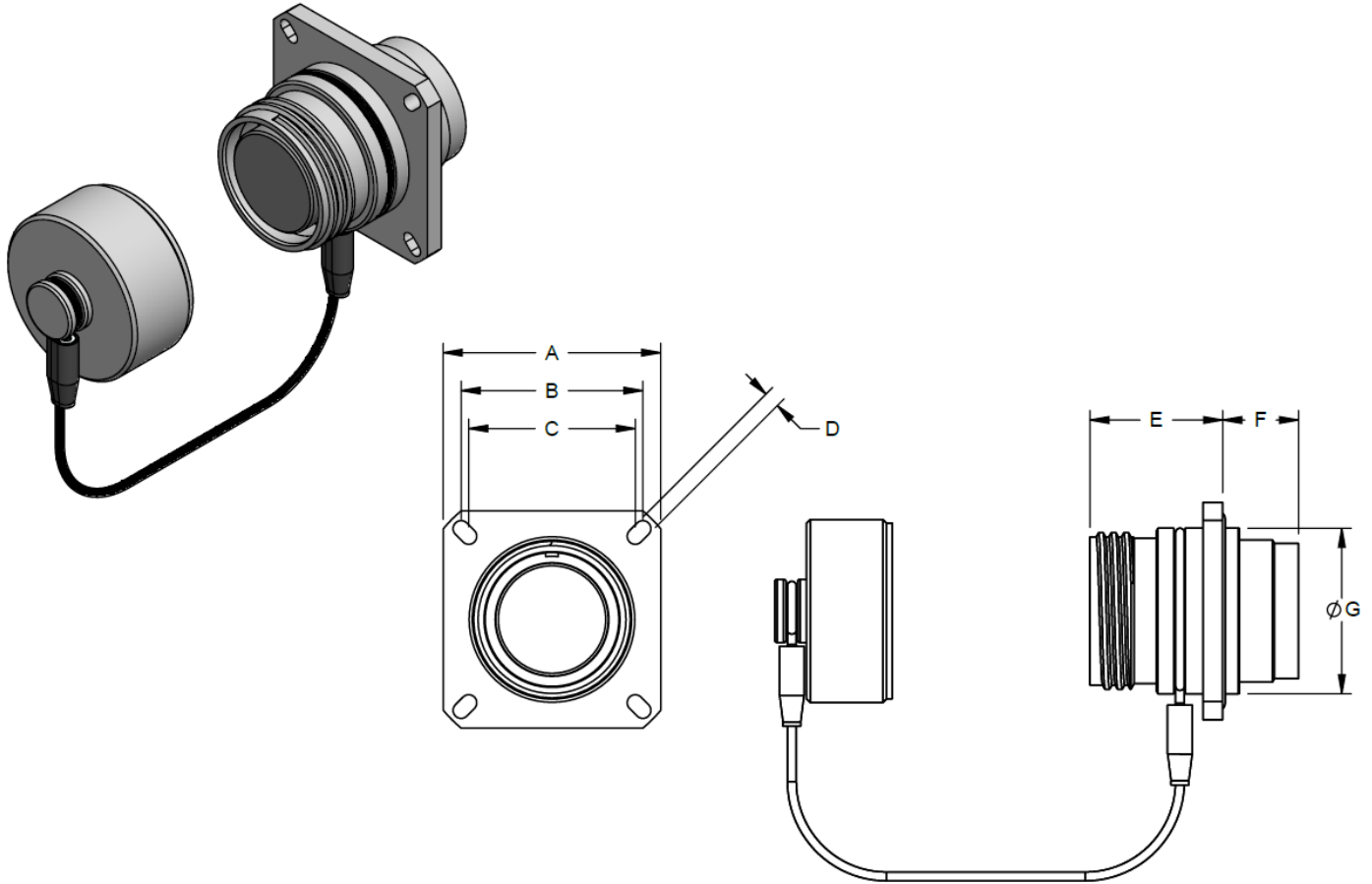
QLINK90-PGTX-XXXX-XXXX



NOMINAL DIMENSIONS: in (mm)			
SHELL SIZE	A	B	C
13	1.063 (27.0)	3.500 (88.9)	4.094 (104.0)
15	1.188 (30.2)	3.500 (88.9)	4.094 (104.0)
17	1.313 (33.4)	3.500 (88.9)	4.094 (104.0)
19	1.448 (36.8)	3.500 (88.9)	4.094 (104.0)
21	1.584 (40.2)	3.500 (88.9)	4.219 (107.2)
23	1.720 (43.7)	3.625 (92.1)	4.344 (110.3)
25	1.850 (47.0)	3.875 (98.4)	4.469 (113.5)
27	1.980 (50.3)	3.875 (98.4)	4.594 (116.7)
29	2.110 (53.6)	3.875 (98.4)	4.719 (119.9)
31	2.240 (56.9)	3.875 (98.4)	4.844 (123.0)

QLink Receptacle, Flange Mount, Threaded, No Backshell:

QLINK-RFTX-XXXX-S00

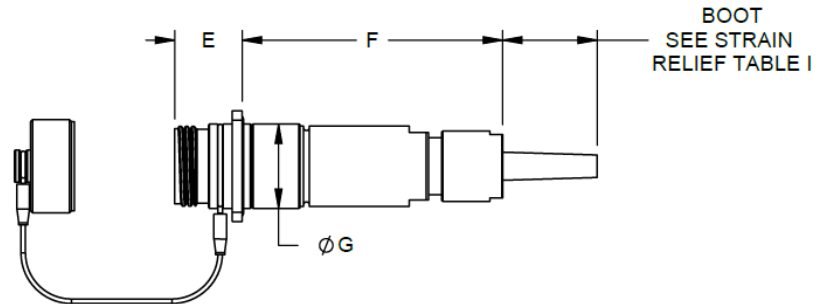
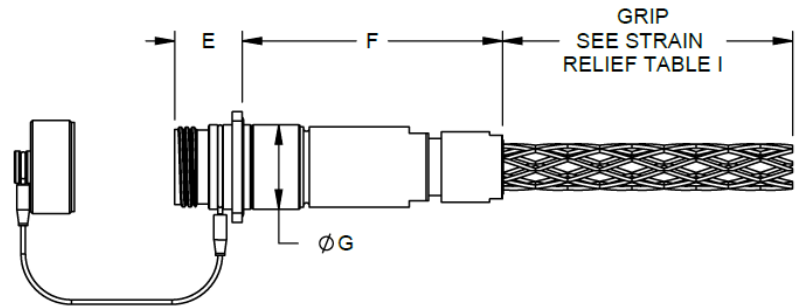
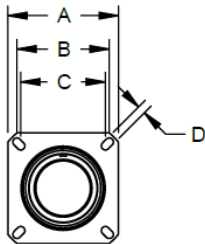
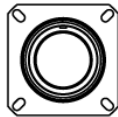
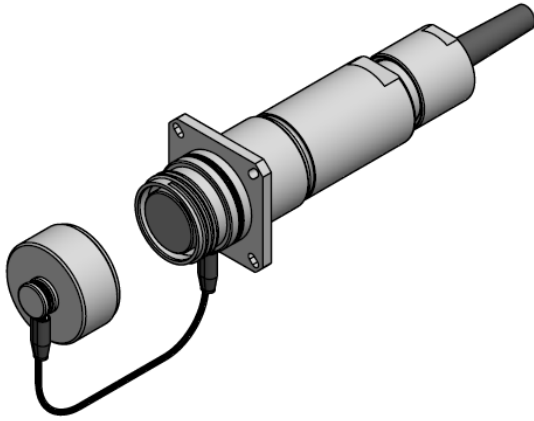


NOMINAL DIMENSIONS: in (mm)

SHELL SIZE	A	B	C	D	E	F	G
13	1.345 (34.2)	1.108 (28.1)	1.051 (26.7)	0.128 (3.3)	1.050 (26.7)	0.600 (15.2)	0.935 (23.7)
15	1.470 (37.3)	1.200 (30.5)	1.125 (28.6)	0.128 (3.3)	1.050 (26.7)	0.600 (15.2)	1.060 (26.9)
17	1.595 (40.5)	1.320 (33.5)	1.220 (31.0)	0.128 (3.3)	1.050 (26.7)	0.600 (15.2)	1.185 (30.1)
19	1.720 (43.7)	1.437 (36.5)	1.317 (33.5)	0.128 (3.3)	1.050 (26.7)	0.600 (15.2)	1.310 (33.3)
21	1.845 (46.9)	1.525 (38.7)	1.405 (35.7)	0.128 (3.3)	1.050 (26.7)	0.600 (15.2)	1.435 (36.4)
23	1.970 (50.0)	1.614 (41.0)	1.494 (37.9)	0.128 (3.3)	1.050 (26.7)	0.600 (15.2)	1.560 (39.6)
25	2.095 (53.2)	1.702 (43.2)	1.582 (40.2)	0.141 (3.6)	1.050 (26.7)	0.850 (21.6)	1.685 (42.8)
27	2.220 (56.4)	1.790 (45.5)	1.670 (42.4)	0.141 (3.6)	1.050 (26.7)	0.850 (21.6)	1.810 (46.0)
29	2.345 (59.6)	1.879 (47.7)	1.759 (44.7)	0.141 (3.6)	1.050 (26.7)	0.850 (21.6)	1.935 (49.1)
31	2.470 (62.7)	1.967 (50.0)	1.847 (46.9)	0.141 (3.6)	1.050 (26.7)	0.850 (21.6)	2.060 (52.3)

QLink Receptacle, Flange Mount, Threaded, Straight Backshell:

QLINK-RFTX-XXXX-XXXX

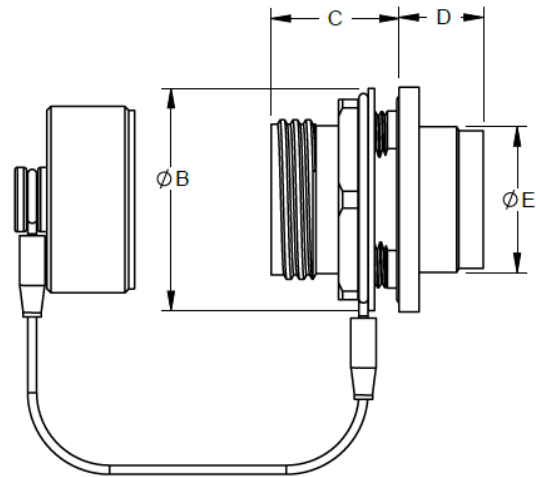
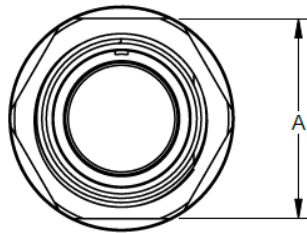


NOMINAL DIMENSIONS: in (mm)

SHELL SIZE	A	B	C	D	E	F	G
13	1.345 (34.2)	1.108 (28.1)	1.051 (26.7)	0.128 (3.3)	1.050 (26.7)	4.050 (102.9)	0.935 (23.7)
15	1.470 (37.3)	1.200 (30.5)	1.125 (28.6)	0.128 (3.3)	1.050 (26.7)	4.050 (102.9)	1.060 (26.9)
17	1.595 (40.5)	1.320 (33.5)	1.220 (31.0)	0.128 (3.3)	1.050 (26.7)	4.050 (102.9)	1.185 (30.1)
19	1.720 (43.7)	1.437 (36.5)	1.317 (33.5)	0.128 (3.3)	1.050 (26.7)	4.050 (102.9)	1.310 (33.3)
21	1.845 (46.9)	1.525 (38.7)	1.405 (35.7)	0.128 (3.3)	1.050 (26.7)	4.050 (102.9)	1.435 (36.4)
23	1.970 (50.0)	1.614 (41.0)	1.494 (37.9)	0.128 (3.3)	1.050 (26.7)	4.050 (102.9)	1.560 (39.6)
25	2.095 (53.2)	1.702 (43.2)	1.582 (40.2)	0.141 (3.6)	1.050 (26.7)	4.300 (109.2)	1.685 (42.8)
27	2.220 (56.4)	1.790 (45.5)	1.670 (42.4)	0.141 (3.6)	1.050 (26.7)	4.300 (109.2)	1.810 (46.0)
29	2.345 (59.6)	1.879 (47.7)	1.759 (44.7)	0.141 (3.6)	1.050 (26.7)	4.300 (109.2)	1.935 (49.1)
31	2.470 (62.7)	1.967 (50.0)	1.847 (46.9)	0.141 (3.6)	1.050 (26.7)	4.300 (109.2)	2.060 (52.3)

QLink Receptacle, Jam Nut, Threaded, No Backshell:

QLINK-RJTX-XXXX-S00

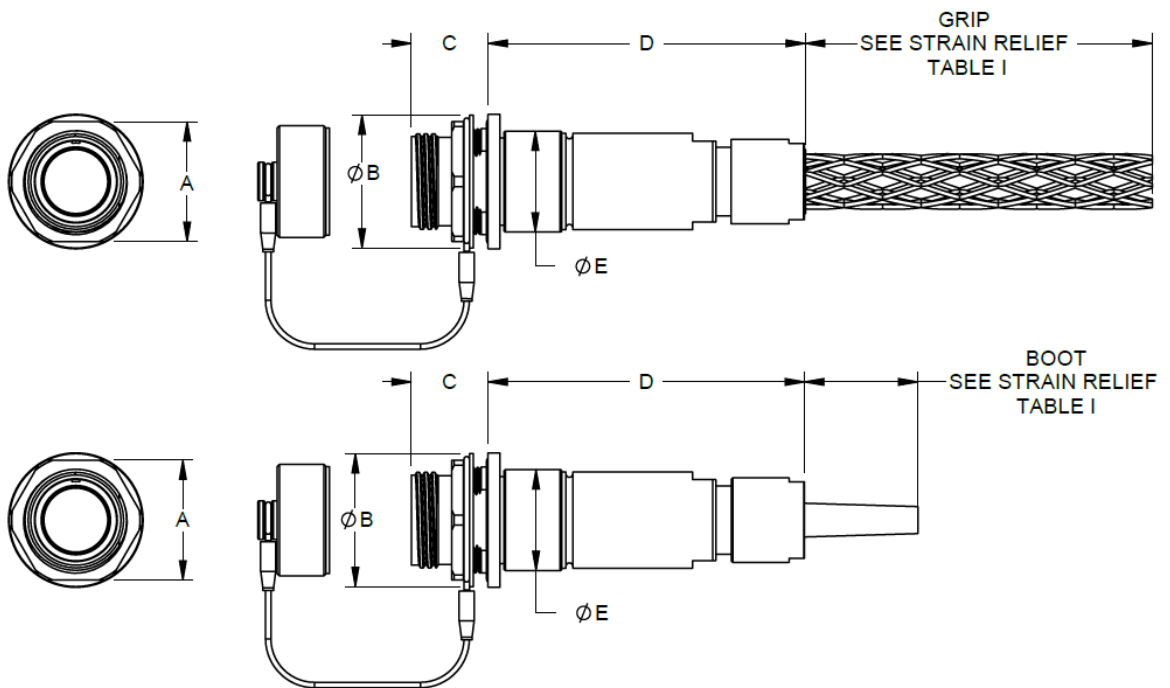
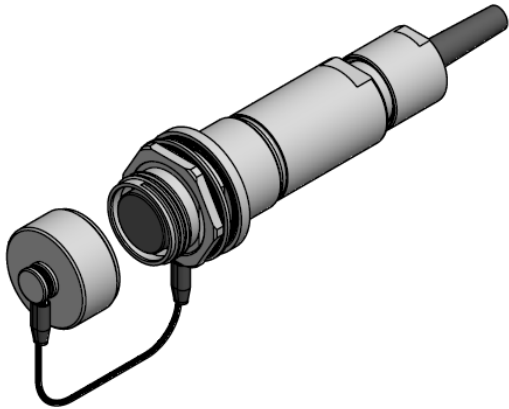


NOMINAL DIMENSIONS: in (mm)

SHELL SIZE	A	B	C	D	E
13	1.240 (31.5)	1.375 (34.9)	0.995 (25.3)	0.655 (16.6)	0.750 (19.1)
15	1.310 (33.3)	1.500 (38.1)	0.995 (25.3)	0.655 (16.6)	0.875 (22.2)
17	1.435 (36.4)	1.625 (41.3)	0.995 (25.3)	0.655 (16.6)	1.000 (25.4)
19	1.560 (39.6)	1.750 (44.5)	0.995 (25.3)	0.655 (16.6)	1.125 (28.6)
21	1.685 (42.8)	1.875 (47.6)	0.995 (25.3)	0.655 (16.6)	1.250 (31.8)
23	1.810 (46.0)	2.000 (50.8)	0.995 (25.3)	0.655 (16.6)	1.375 (34.9)
25	1.995 (50.7)	2.250 (57.2)	0.995 (25.3)	0.904 (23.0)	1.500 (38.1)
27	2.120 (53.8)	2.375 (60.3)	0.995 (25.3)	0.904 (23.0)	1.625 (41.3)
29	2.245 (57.0)	2.500 (63.5)	0.995 (25.3)	0.904 (23.0)	1.750 (44.5)
31	2.370 (60.2)	2.625 (66.7)	0.995 (25.3)	0.904 (23.0)	1.875 (47.6)

QLink Receptacle, Jam Nut, Threaded, Straight Backshell:

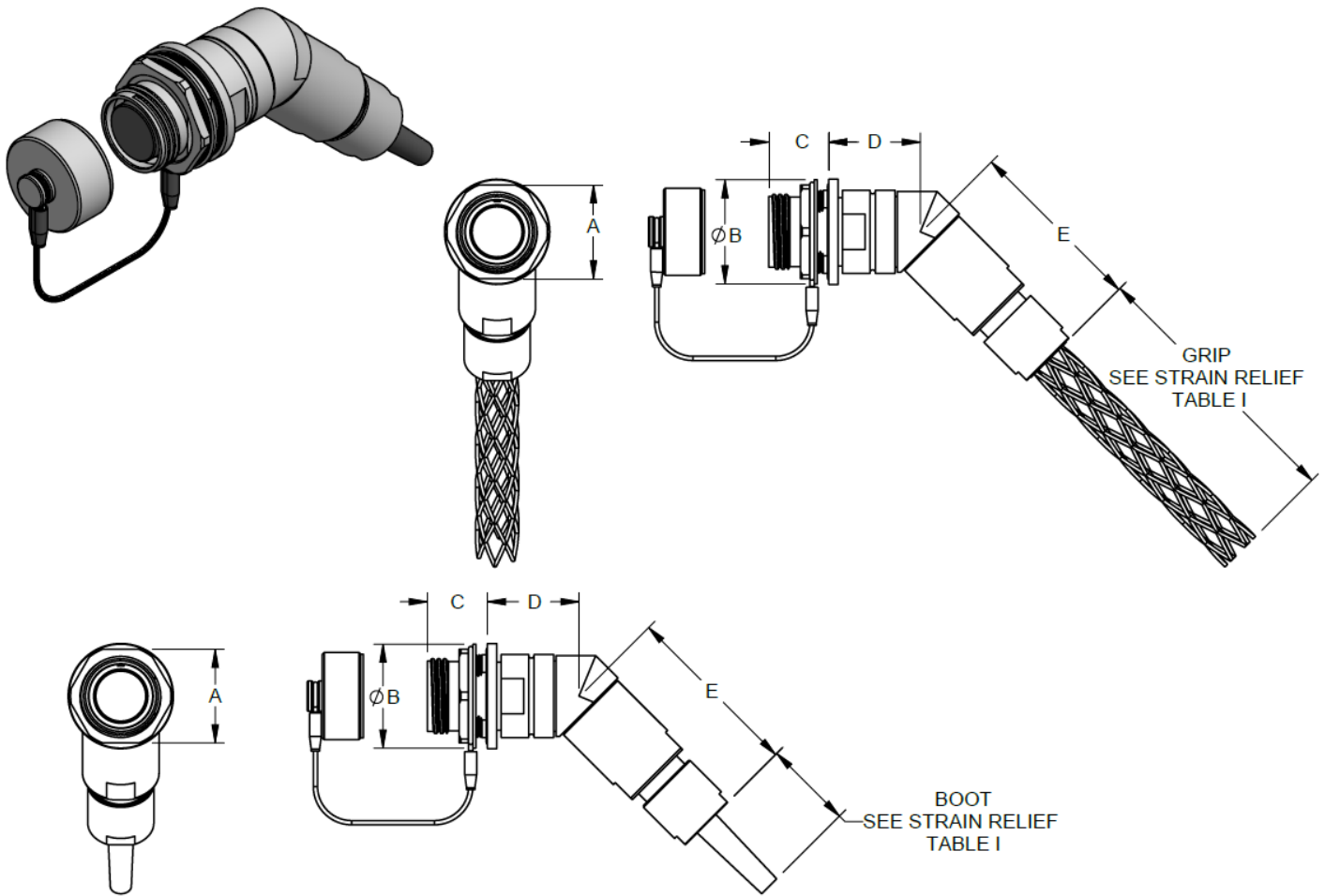
QLINK-RJTX-XXXX-XXXX



NOMINAL DIMENSIONS: in (mm)					
SHELL SIZE	A	B	C	D	E
13	1.240 (31.5)	1.375 (34.9)	0.995 (25.3)	4.105 (104.3)	0.935 (23.7)
15	1.310 (33.3)	1.500 (38.1)	0.995 (25.3)	4.105 (104.3)	1.060 (26.9)
17	1.435 (36.4)	1.625 (41.3)	0.995 (25.3)	4.105 (104.3)	1.185 (30.1)
19	1.560 (39.6)	1.750 (44.5)	0.995 (25.3)	4.105 (104.3)	1.310 (33.3)
21	1.685 (42.8)	1.875 (47.6)	0.995 (25.3)	4.105 (104.3)	1.435 (36.4)
23	1.810 (46.0)	2.000 (50.8)	0.995 (25.3)	4.105 (104.3)	1.560 (39.6)
25	1.995 (50.7)	2.250 (57.2)	0.995 (25.3)	4.355 (110.6)	1.685 (42.8)
27	2.120 (53.8)	2.375 (60.3)	0.995 (25.3)	4.355 (110.6)	1.810 (46.0)
29	2.245 (57.0)	2.500 (63.5)	0.995 (25.3)	4.355 (110.6)	1.935 (49.1)
31	2.370 (60.2)	2.625 (66.7)	0.995 (25.3)	4.355 (110.6)	2.060 (52.3)

QLink Receptacle, Jam Nut, Threaded, 45° Backshell:

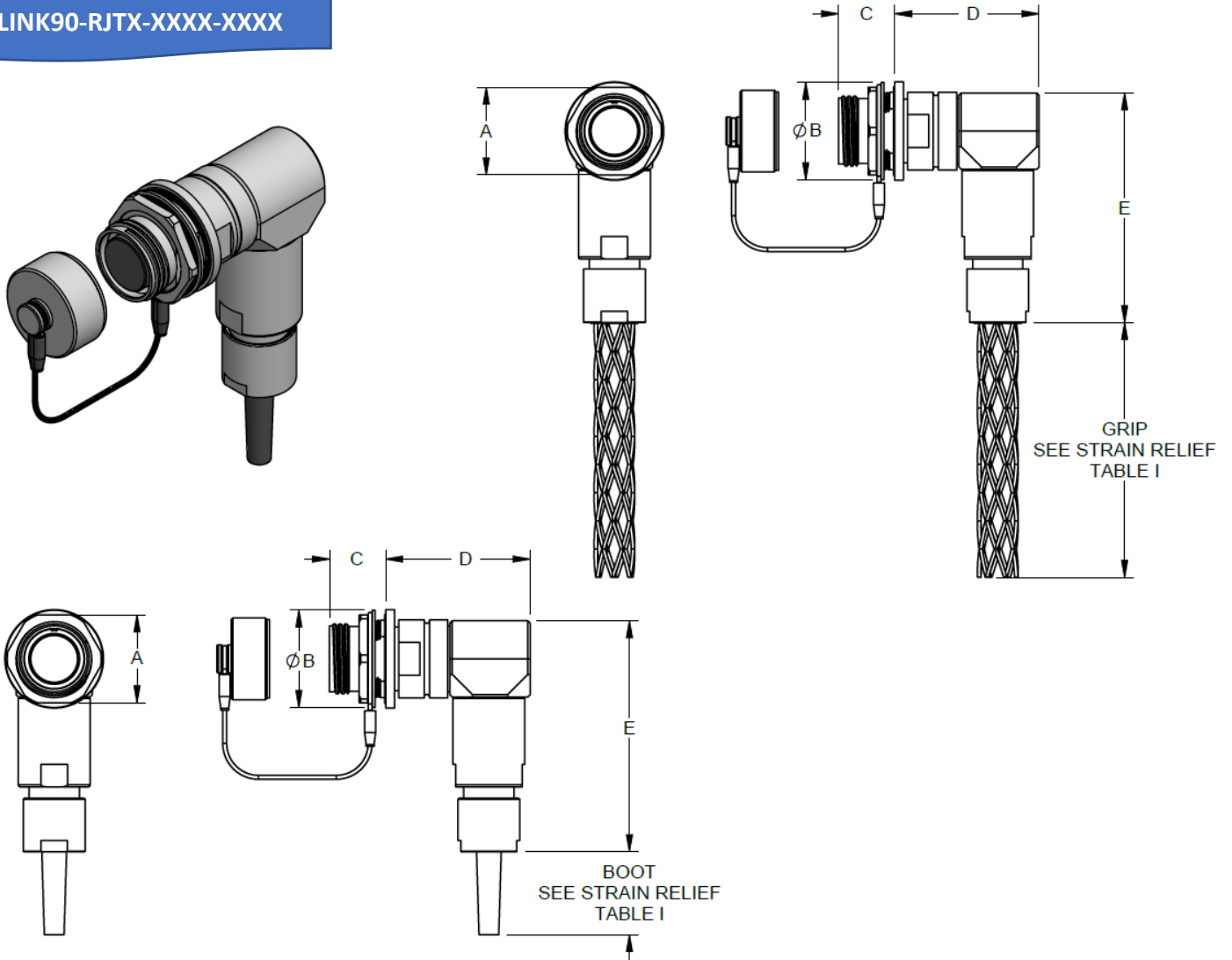
QLINK45-RJTX-XXXX-XXXX



NOMINAL DIMENSIONS: in (mm)					
SHELL SIZE	A	B	C	D	E
13	1.240 (31.5)	1.375 (34.9)	0.995 (25.3)	1.518 (38.6)	2.976 (75.6)
15	1.310 (33.3)	1.500 (38.1)	0.995 (25.3)	1.518 (38.6)	2.976 (75.6)
17	1.435 (36.4)	1.625 (41.3)	0.995 (25.3)	1.518 (38.6)	2.976 (75.6)
19	1.560 (39.6)	1.750 (44.5)	0.995 (25.3)	1.518 (38.6)	2.976 (75.6)
21	1.685 (42.8)	1.875 (47.6)	0.995 (25.3)	1.581 (40.1)	3.039 (77.2)
23	1.810 (46.0)	2.000 (50.8)	0.995 (25.3)	1.643 (41.7)	3.101 (78.8)
25	1.995 (50.7)	2.250 (57.2)	0.995 (25.3)	1.956 (49.7)	3.164 (80.4)
27	2.120 (53.8)	2.375 (60.3)	0.995 (25.3)	2.018 (51.3)	3.226 (81.9)
29	2.245 (57.0)	2.500 (63.5)	0.995 (25.3)	2.081 (52.9)	3.289 (83.5)
31	2.370 (60.2)	2.625 (66.7)	0.995 (25.3)	2.143 (54.4)	3.351 (85.1)

QLink Receptacle, Jam Nut, Threaded, 90° Backshell:

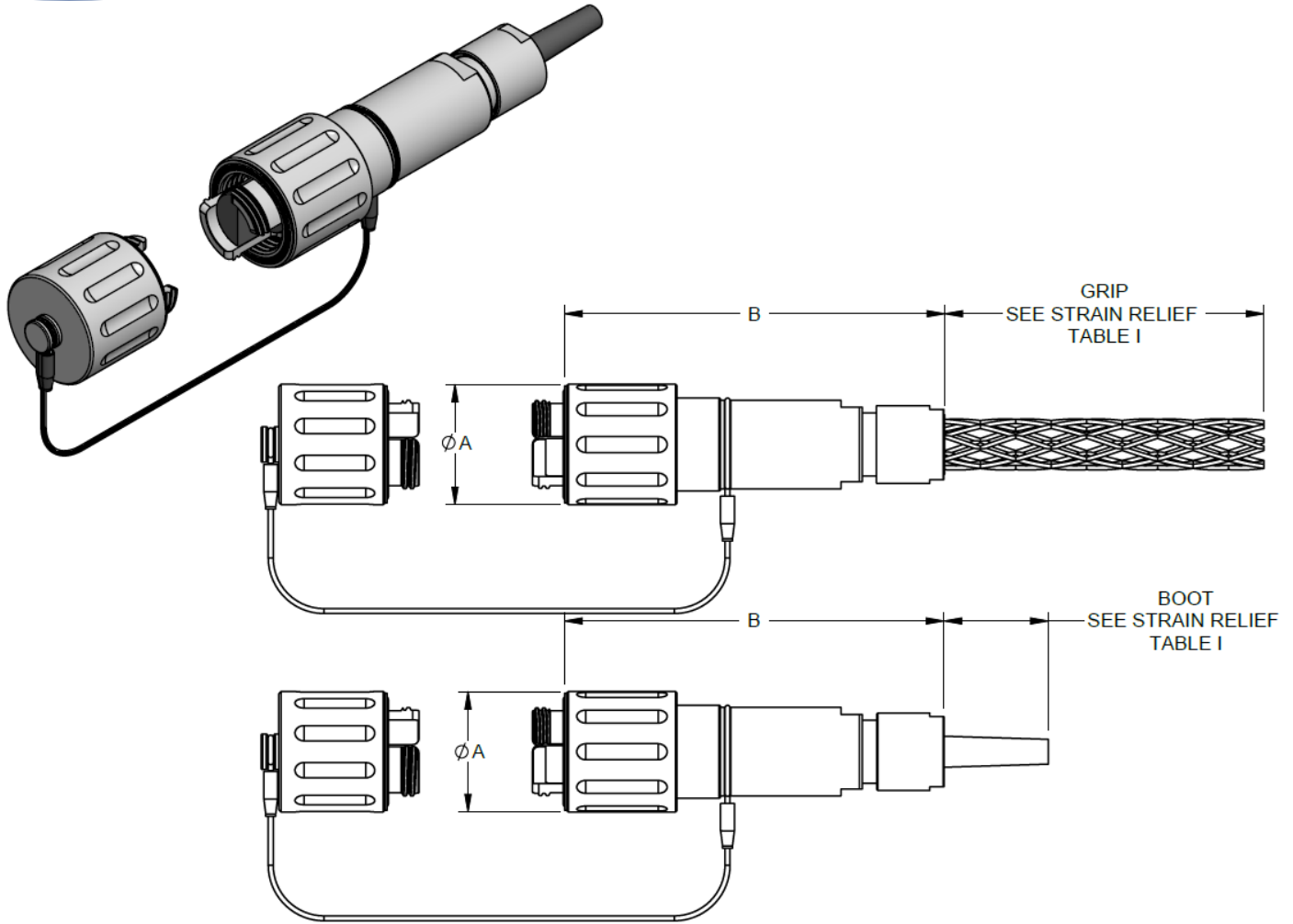
QLINK90-RJTX-XXXX-XXXX



NOMINAL DIMENSIONS: in (mm)					
SHELL SIZE	A	B	C	D	E
13	1.240 (31.5)	1.375 (34.9)	0.995 (25.3)	2.556 (64.9)	4.070 (103.4)
15	1.310 (33.3)	1.500 (38.1)	0.995 (25.3)	2.556 (64.9)	4.070 (103.4)
17	1.435 (36.4)	1.625 (41.3)	0.995 (25.3)	2.556 (64.9)	4.070 (103.4)
19	1.560 (39.6)	1.750 (44.5)	0.995 (25.3)	2.556 (64.9)	4.070 (103.4)
21	1.685 (42.8)	1.875 (47.6)	0.995 (25.3)	2.556 (64.9)	4.195 (106.6)
23	1.810 (46.0)	2.000 (50.8)	0.995 (25.3)	2.681 (68.1)	4.320 (109.7)
25	1.995 (50.7)	2.250 (57.2)	0.995 (25.3)	2.931 (74.4)	4.445 (112.9)
27	2.120 (53.8)	2.375 (60.3)	0.995 (25.3)	2.931 (74.4)	4.570 (116.1)
29	2.245 (57.0)	2.500 (63.5)	0.995 (25.3)	2.931 (74.4)	4.695 (119.3)
31	2.370 (60.2)	2.625 (66.7)	0.995 (25.3)	2.931 (74.4)	4.820 (122.4)

QLink Plug, Hermaphroditic, Straight Backshell:

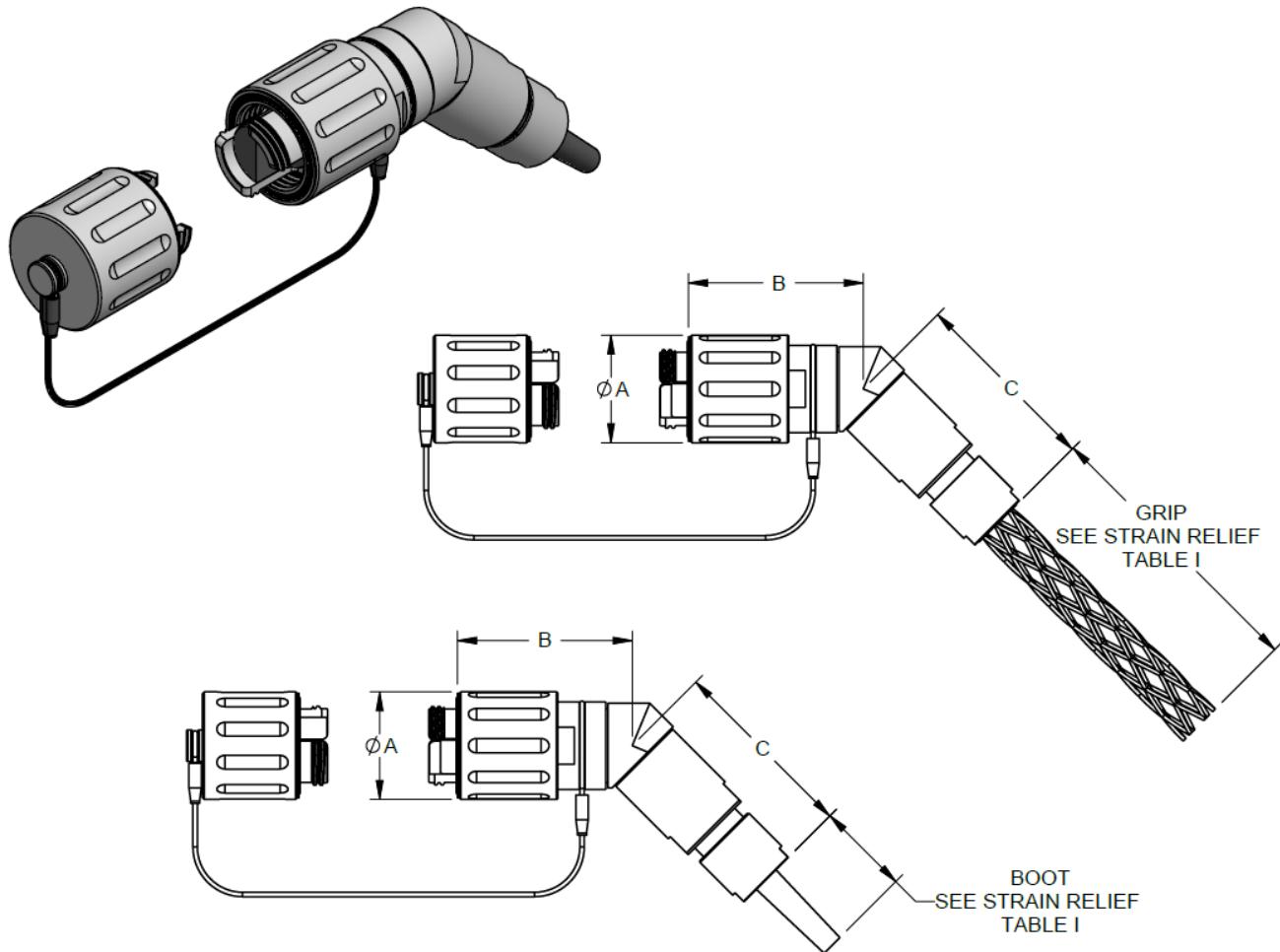
QLINK-PGHX-XXXX-XXXX



NOMINAL DIMENSIONS: in (mm)		
SHELL SIZE	A	B
13	1.325 (33.7)	5.350 (135.9)
15	1.450 (36.8)	5.350 (135.9)
17	1.575 (40.0)	5.350 (135.9)
19	1.700 (43.2)	5.350 (135.9)
21	1.825 (46.4)	5.350 (135.9)
23	1.950 (49.5)	5.350 (135.9)

QLink Plug, Hermaphroditic, 45° Backshell:

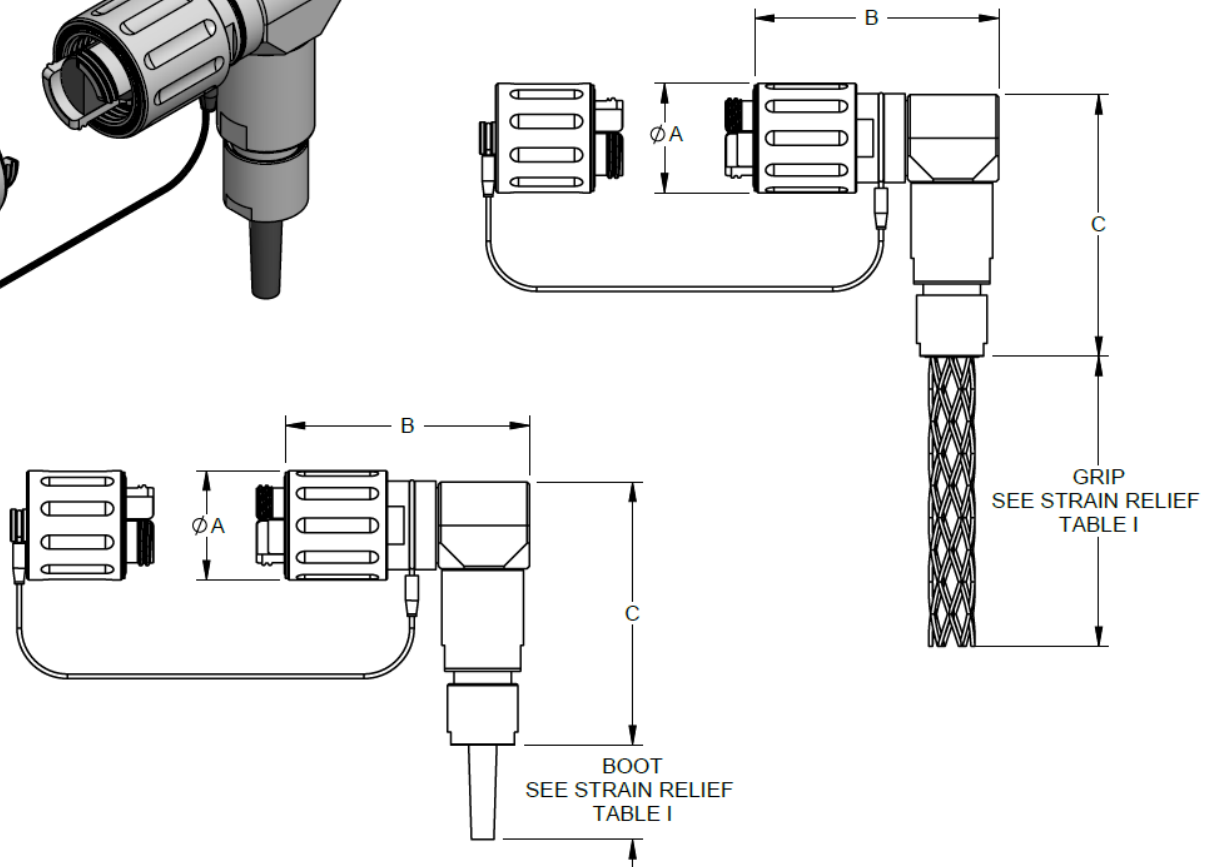
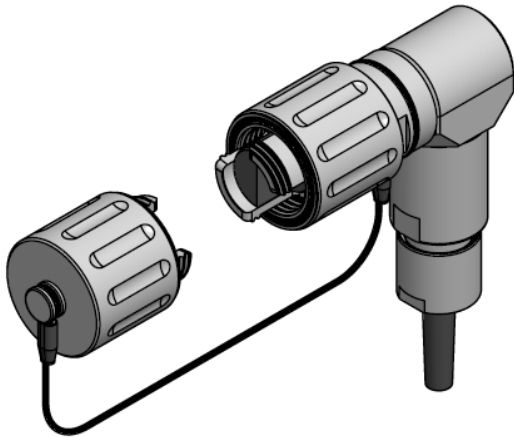
QLINK45-PGHX-XXXX-XXXX



NOMINAL DIMENSIONS: in (mm)			
SHELL SIZE	A	B	C
13	1.325 (33.7)	2.702 (68.6)	2.990 (75.9)
15	1.450 (36.8)	2.702 (68.6)	2.990 (75.9)
17	1.575 (40.0)	2.702 (68.6)	2.990 (75.9)
19	1.700 (43.2)	2.765 (70.2)	2.990 (75.9)
21	1.825 (46.4)	2.827 (71.8)	3.053 (77.5)
23	1.950 (49.5)	2.890 (73.4)	3.115 (79.1)

QLink Plug, Hermaphroditic, 90° Backshell:

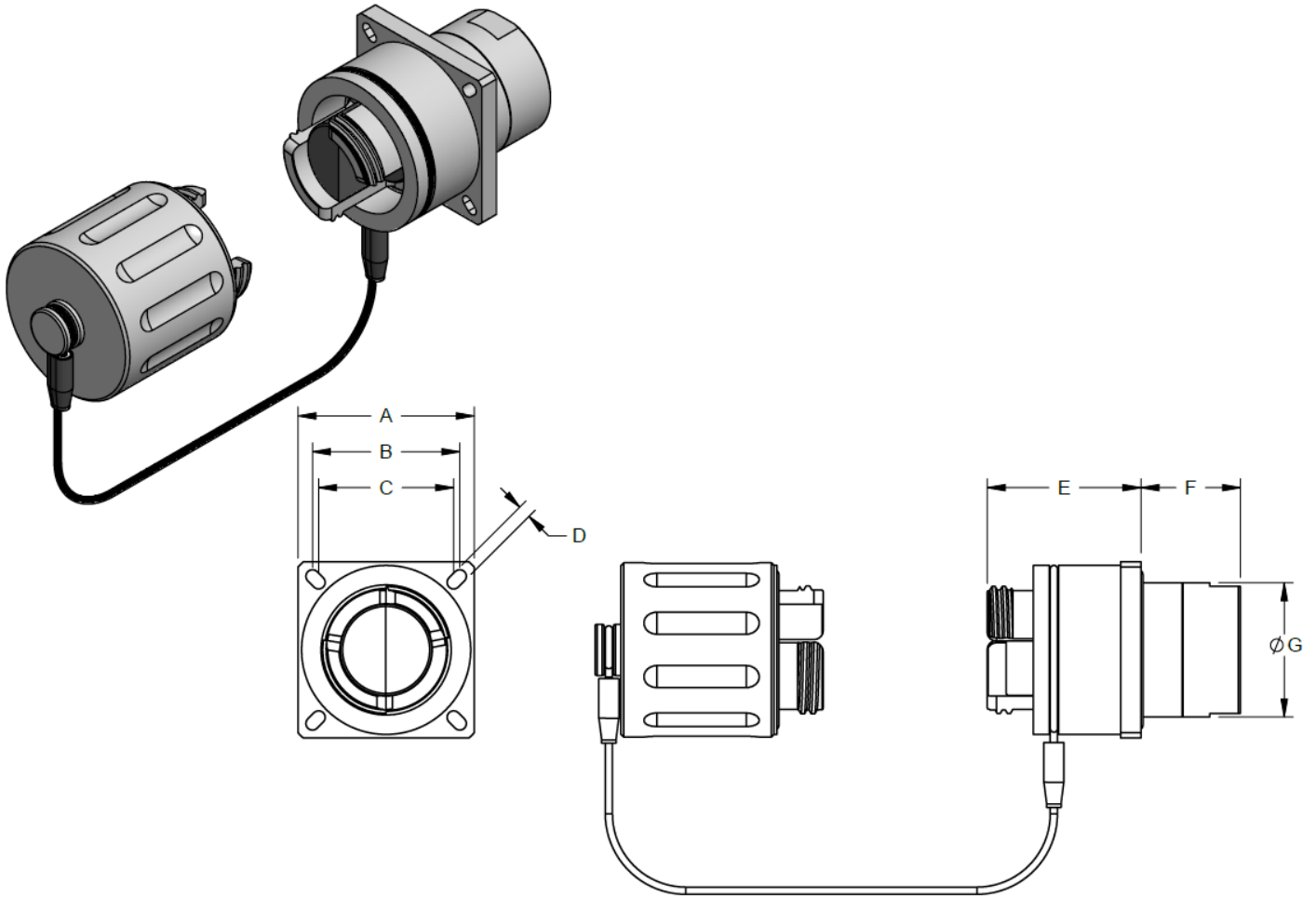
QLINK90-PGHX-XXXX-XXXX



NOMINAL DIMENSIONS: in (mm)			
SHELL SIZE	A	B	C
13	1.325 (33.7)	3.790 (96.3)	4.094 (104.0)
15	1.450 (36.8)	3.790 (96.3)	4.094 (104.0)
17	1.575 (40.0)	3.790 (96.3)	4.094 (104.0)
19	1.700 (43.2)	3.790 (96.3)	4.094 (104.0)
21	1.825 (46.4)	3.915 (99.4)	4.219 (107.2)
23	1.950 (49.5)	3.915 (99.4)	4.344 (110.3)

QLink Receptacle, Flange Mount, Hermaphroditic, No Backshell:

QLINK-RFHX-XXXX-S00

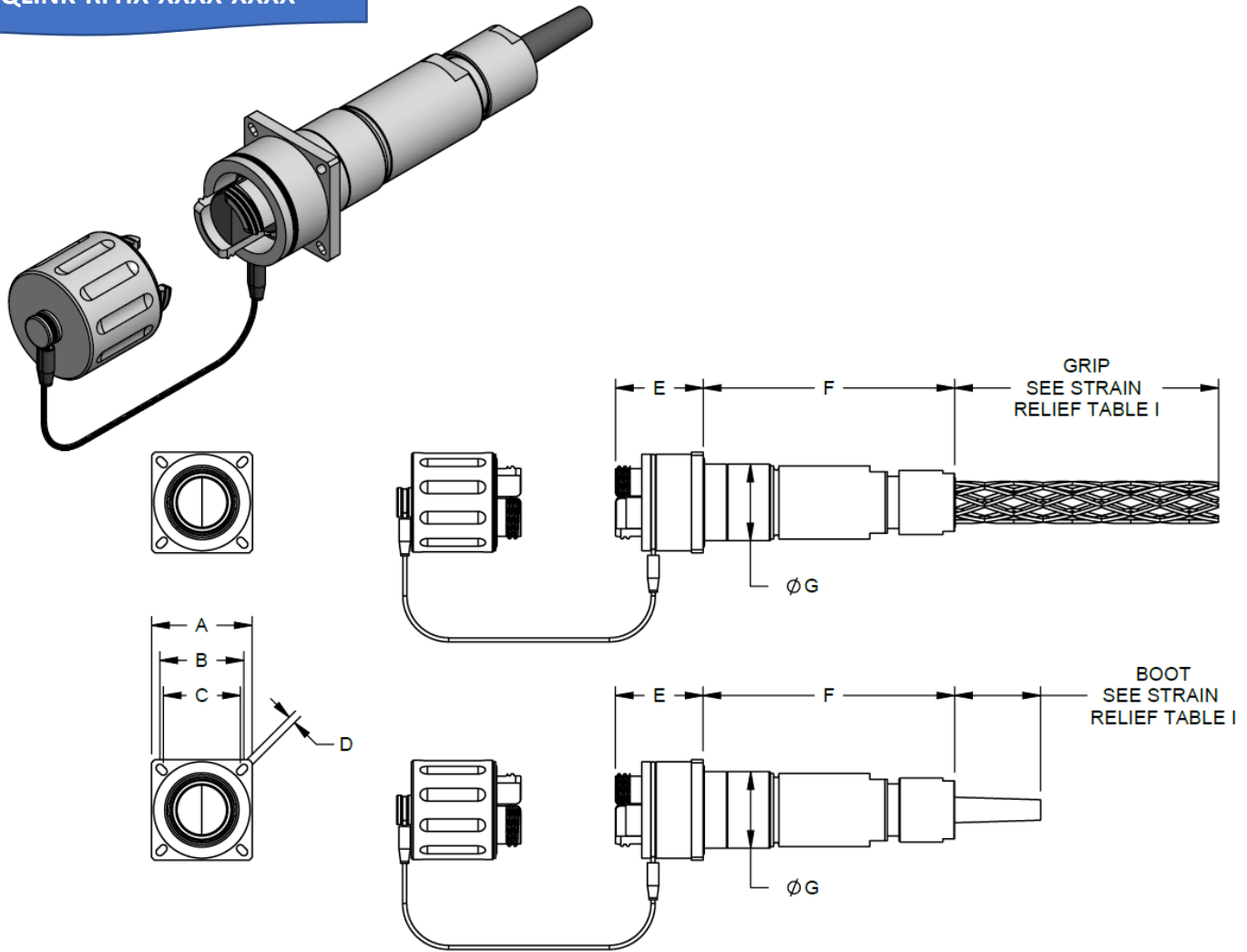


NOMINAL DIMENSIONS: in (mm)

SHELL SIZE	A	B	C	D	E	F	G
13	1.345 (34.2)	1.108 (28.1)	1.033 (26.2)	0.128 (3.3)	1.500 (38.1)	0.970 (24.6)	0.935 (23.7)
15	1.470 (37.3)	1.200 (30.5)	1.125 (28.6)	0.128 (3.3)	1.500 (38.1)	0.970 (24.6)	1.060 (26.9)
17	1.595 (40.5)	1.350 (34.3)	1.230 (31.2)	0.128 (3.3)	1.500 (38.1)	0.970 (24.6)	1.185 (30.1)
19	1.720 (43.7)	1.437 (36.5)	1.317 (33.5)	0.128 (3.3)	1.500 (38.1)	0.970 (24.6)	1.310 (33.3)
21	1.845 (46.9)	1.525 (38.7)	1.405 (35.7)	0.128 (3.3)	1.500 (38.1)	0.970 (24.6)	1.435 (36.4)
23	1.970 (50.0)	1.614 (41.0)	1.494 (37.9)	0.128 (3.3)	1.500 (38.1)	0.970 (24.6)	1.560 (39.6)

QLink Receptacle, Flange Mount, Hermaphroditic, Straight Backshell:

QLINK-RFHX-XXXX-XXXX

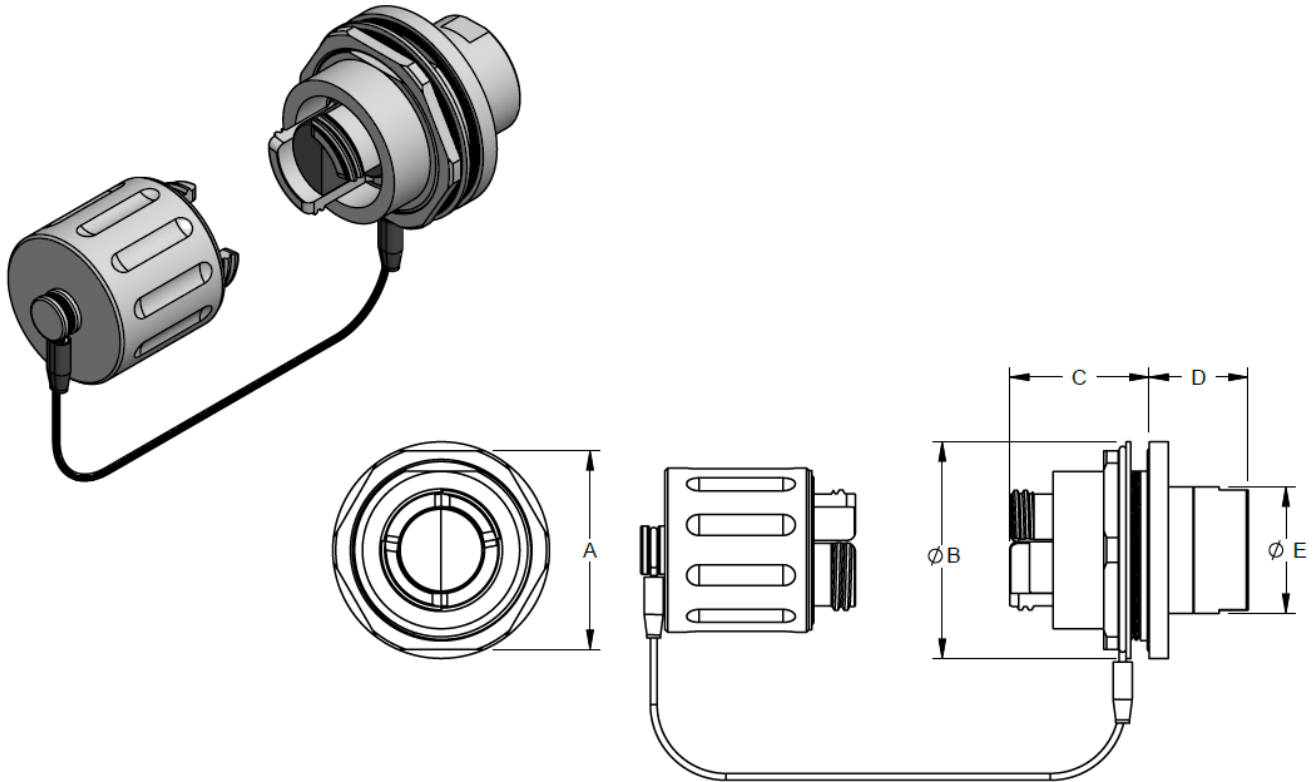


NOMINAL DIMENSIONS: in (mm)

SHELL SIZE	A	B	C	D	E	F	G
13	1.345 (34.2)	1.108 (28.1)	1.033 (26.2)	0.128 (3.3)	1.500 (38.1)	4.300 (109.2)	0.935 (23.7)
15	1.470 (37.3)	1.200 (30.5)	1.125 (28.6)	0.128 (3.3)	1.500 (38.1)	4.300 (109.2)	1.060 (26.9)
17	1.595 (40.5)	1.350 (34.3)	1.230 (31.2)	0.128 (3.3)	1.500 (38.1)	4.300 (109.2)	1.185 (30.1)
19	1.720 (43.7)	1.437 (36.5)	1.317 (33.5)	0.128 (3.3)	1.500 (38.1)	4.300 (109.2)	1.310 (33.3)
21	1.845 (46.9)	1.525 (38.7)	1.405 (35.7)	0.128 (3.3)	1.500 (38.1)	4.300 (109.2)	1.435 (36.4)
23	1.970 (50.0)	1.614 (41.0)	1.494 (37.9)	0.128 (3.3)	1.500 (38.1)	4.300 (109.2)	1.560 (39.6)

QLink Receptacle, Jam Nut, Hermaphroditic, No Backshell:

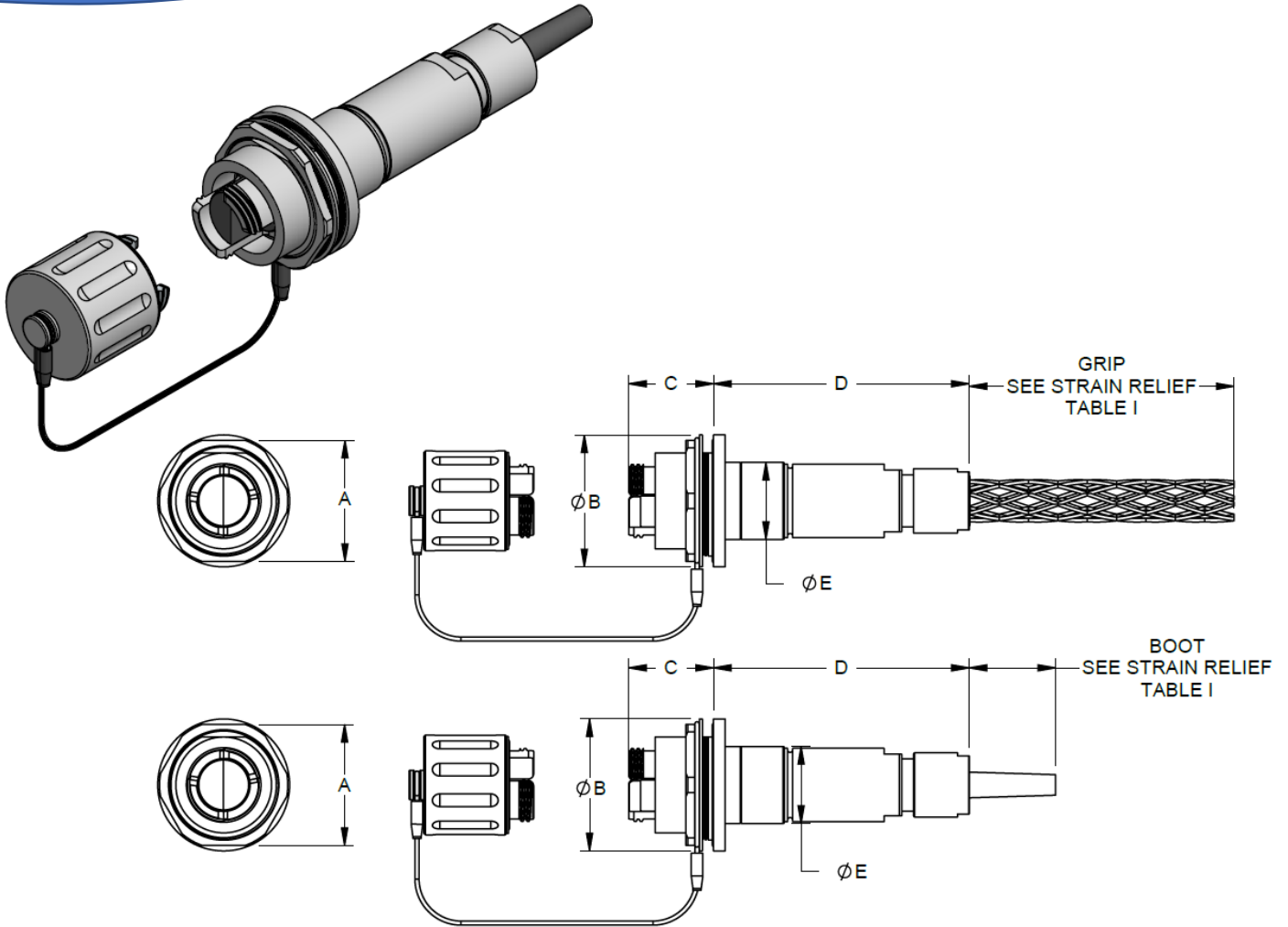
QLINK-RJHX-XXXX-S00



NOMINAL DIMENSIONS: in (mm)					
SHELL SIZE	A	B	C	D	E
13	1.685 (42.8)	1.875 (47.6)	1.445 (36.7)	1.025 (26.0)	0.935 (23.7)
15	1.810 (46.0)	2.000 (50.8)	1.445 (36.7)	1.025 (26.0)	1.060 (26.9)
17	1.995 (50.7)	2.125 (54.0)	1.445 (36.7)	1.025 (26.0)	1.185 (30.1)
19	2.120 (53.8)	2.250 (57.2)	1.445 (36.7)	1.025 (26.0)	1.310 (33.3)
21	2.245 (57.0)	2.375 (60.3)	1.445 (36.7)	1.025 (26.0)	1.435 (36.4)
23	2.370 (60.2)	2.500 (63.5)	1.445 (36.7)	1.025 (26.0)	1.560 (39.6)

QLink Receptacle, Jam Nut, Hermaphroditic, Straight Backshell:

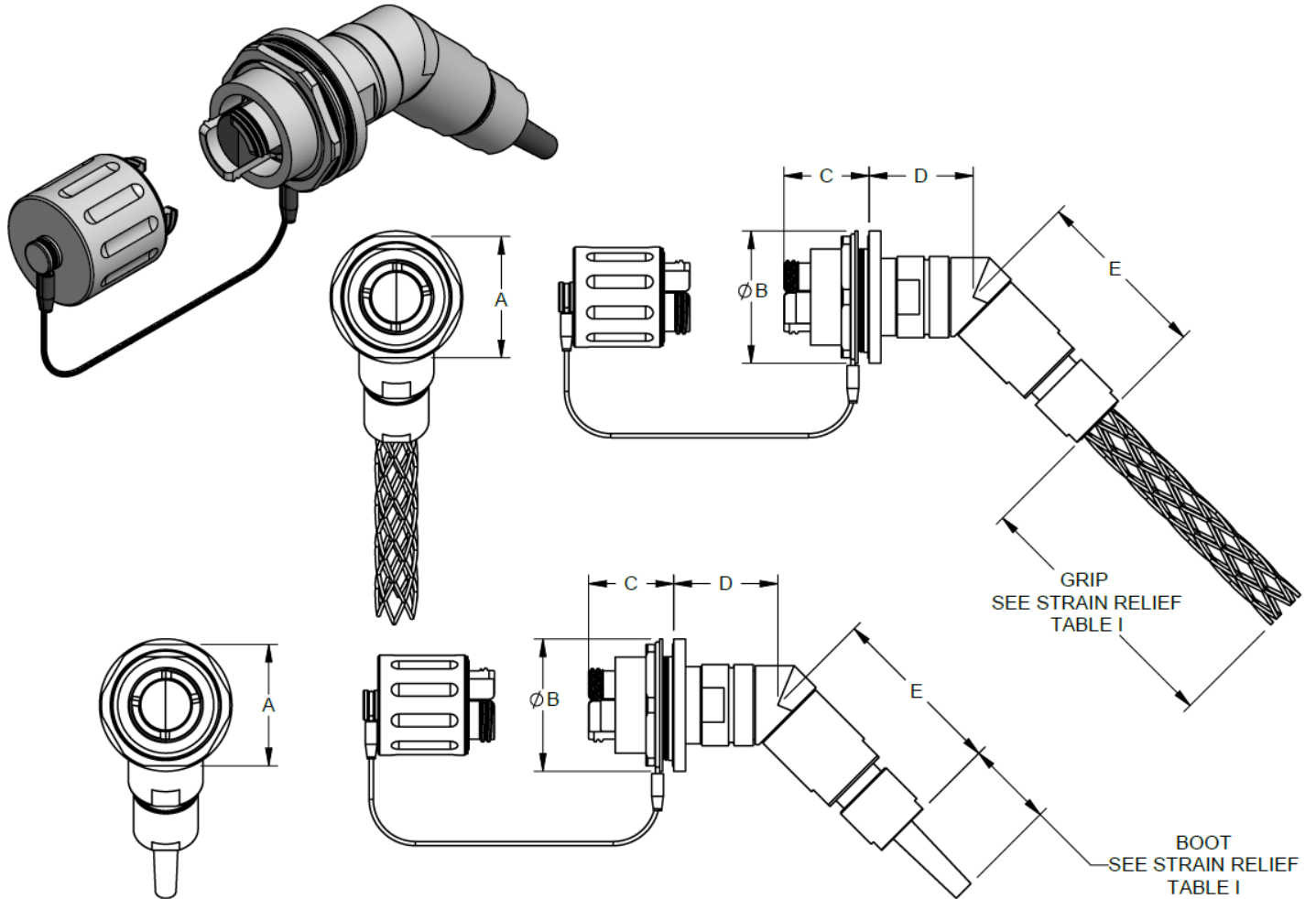
QLINK-RJHX-XXXX-XXXX



NOMINAL DIMENSIONS: in (mm)					
SHELL SIZE	A	B	C	D	E
13	1.685 (42.8)	1.875 (47.6)	1.445 (36.7)	1.350 (34.3)	0.935 (23.7)
15	1.810 (46.0)	2.000 (50.8)	1.445 (36.7)	1.350 (34.3)	1.060 (26.9)
17	1.995 (50.7)	2.125 (54.0)	1.445 (36.7)	1.350 (34.3)	1.185 (30.1)
19	2.120 (53.8)	2.250 (57.2)	1.445 (36.7)	1.350 (34.3)	1.310 (33.3)
21	2.245 (57.0)	2.375 (60.3)	1.445 (36.7)	1.350 (34.3)	1.435 (36.4)
23	2.370 (60.2)	2.500 (63.5)	1.445 (36.7)	1.350 (34.3)	1.560 (39.6)

QLink Receptacle, Jam Nut, Hermaphroditic, 45° Backshell:

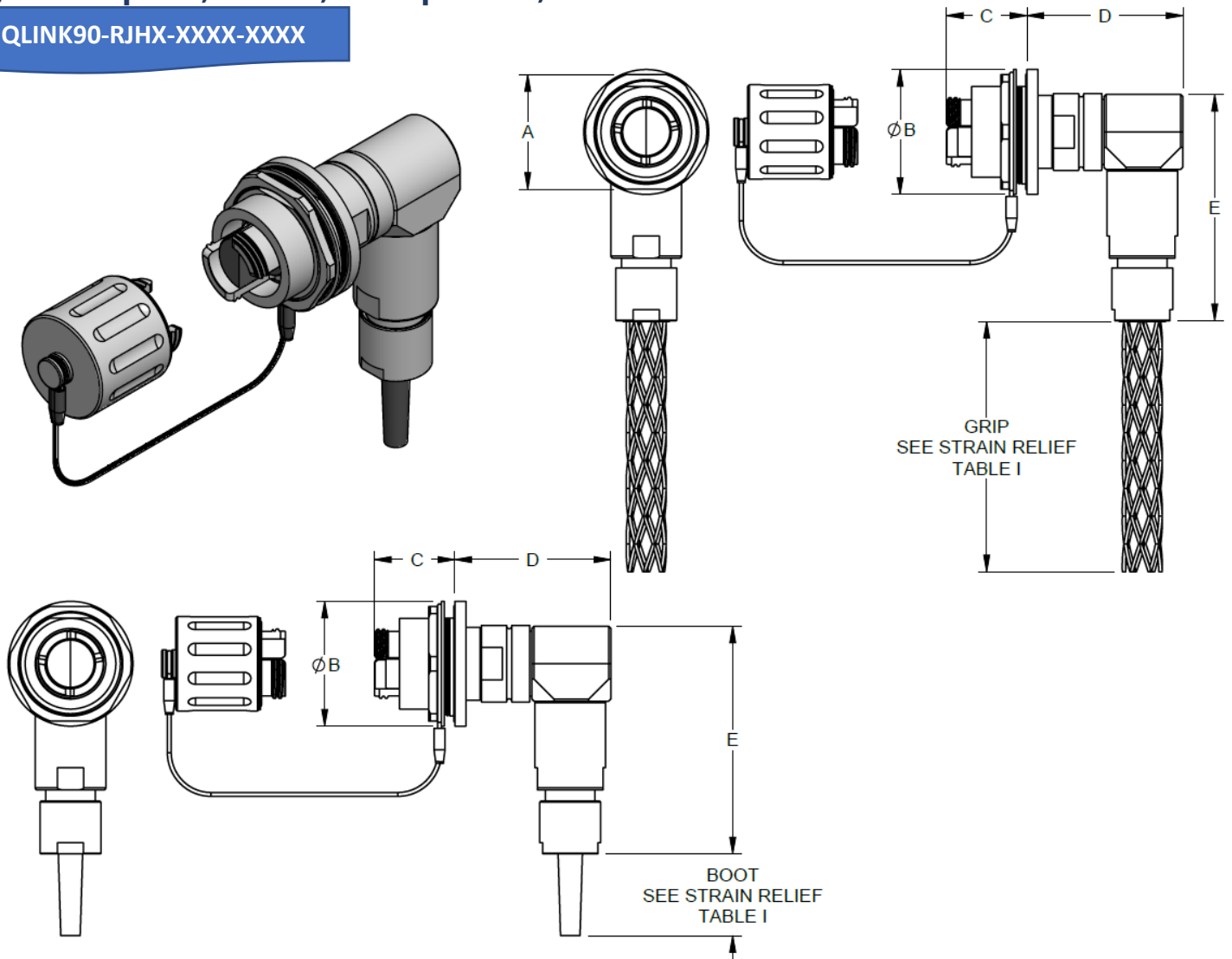
QLINK45-RJHX-XXXX-XXXX



NOMINAL DIMENSIONS: in (mm)					
SHELL SIZE	A	B	C	D	E
13	1.685 (42.8)	1.875 (47.6)	1.445 (36.7)	1.770 (45.0)	2.976 (75.6)
15	1.810 (46.0)	2.000 (50.8)	1.445 (36.7)	1.770 (45.0)	2.976 (75.6)
17	1.995 (50.7)	2.125 (54.0)	1.445 (36.7)	1.770 (45.0)	2.976 (75.6)
19	2.120 (53.8)	2.250 (57.2)	1.445 (36.7)	1.770 (45.0)	2.976 (75.6)
21	2.245 (57.0)	2.375 (60.3)	1.445 (36.7)	1.895 (48.1)	3.039 (77.2)
23	2.370 (60.2)	2.500 (63.5)	1.445 (36.7)	1.895 (48.1)	3.101 (78.8)

QLink Receptacle, Jam Nut, Hermaphroditic, 90° Backshell:

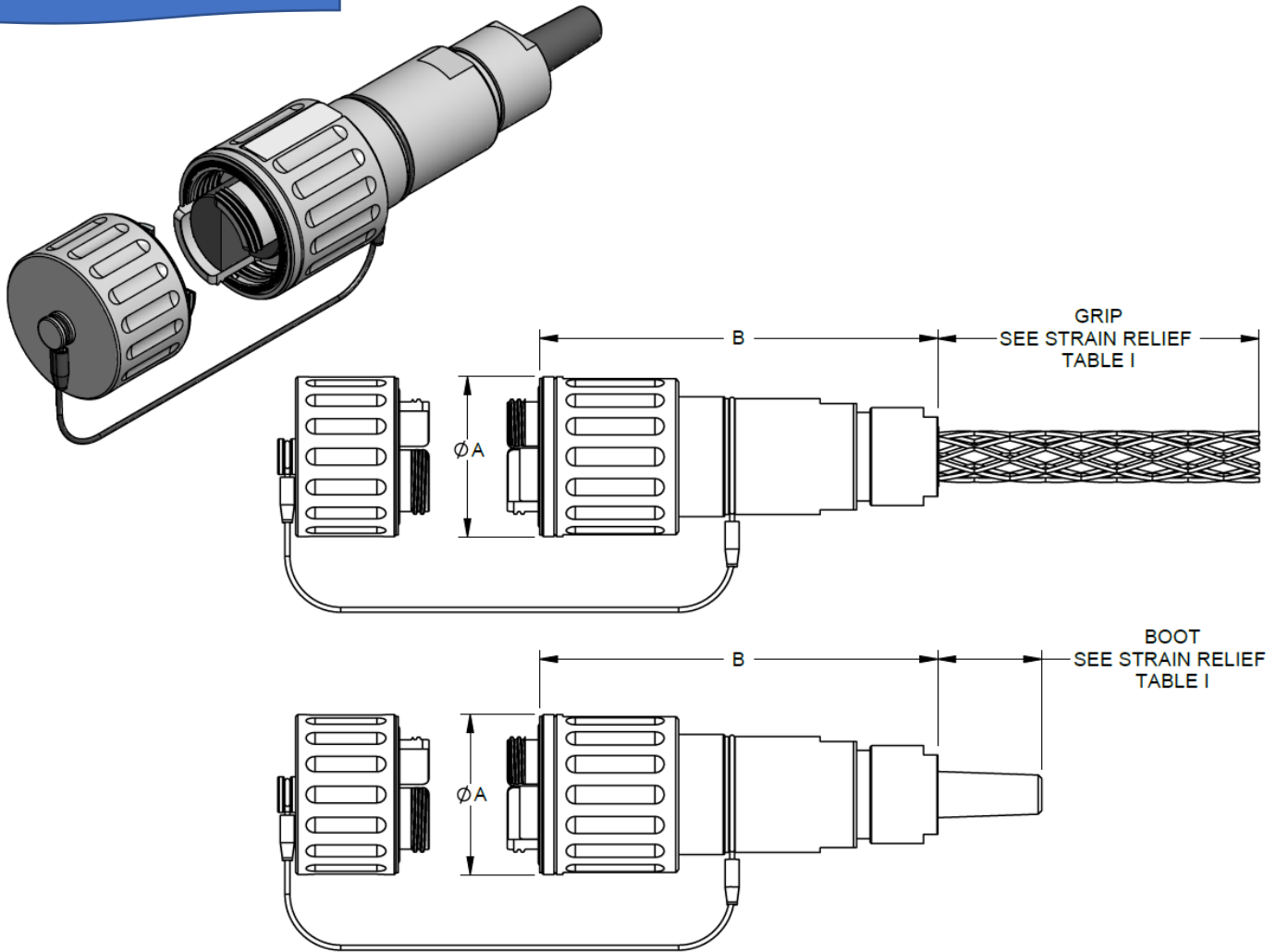
QLINK90-RJHX-XXXX-XXXX



NOMINAL DIMENSIONS: in (mm)					
SHELL SIZE	A	B	C	D	E
13	1.685 (42.8)	1.875 (47.6)	1.445 (36.7)	2.806 (71.3)	4.070 (103.4)
15	1.810 (46.0)	2.000 (50.8)	1.445 (36.7)	2.806 (71.3)	4.070 (103.4)
17	1.995 (50.7)	2.125 (54.0)	1.445 (36.7)	2.806 (71.3)	4.070 (103.4)
19	2.120 (53.8)	2.250 (57.2)	1.445 (36.7)	2.806 (71.3)	4.070 (103.4)
21	2.245 (57.0)	2.375 (60.3)	1.445 (36.7)	2.931 (74.4)	4.195 (106.6)
23	2.370 (60.2)	2.500 (63.5)	1.445 (36.7)	2.931 (74.4)	4.320 (109.7)

QLink Plug, Locking Hermaphroditic, Straight Backshell:

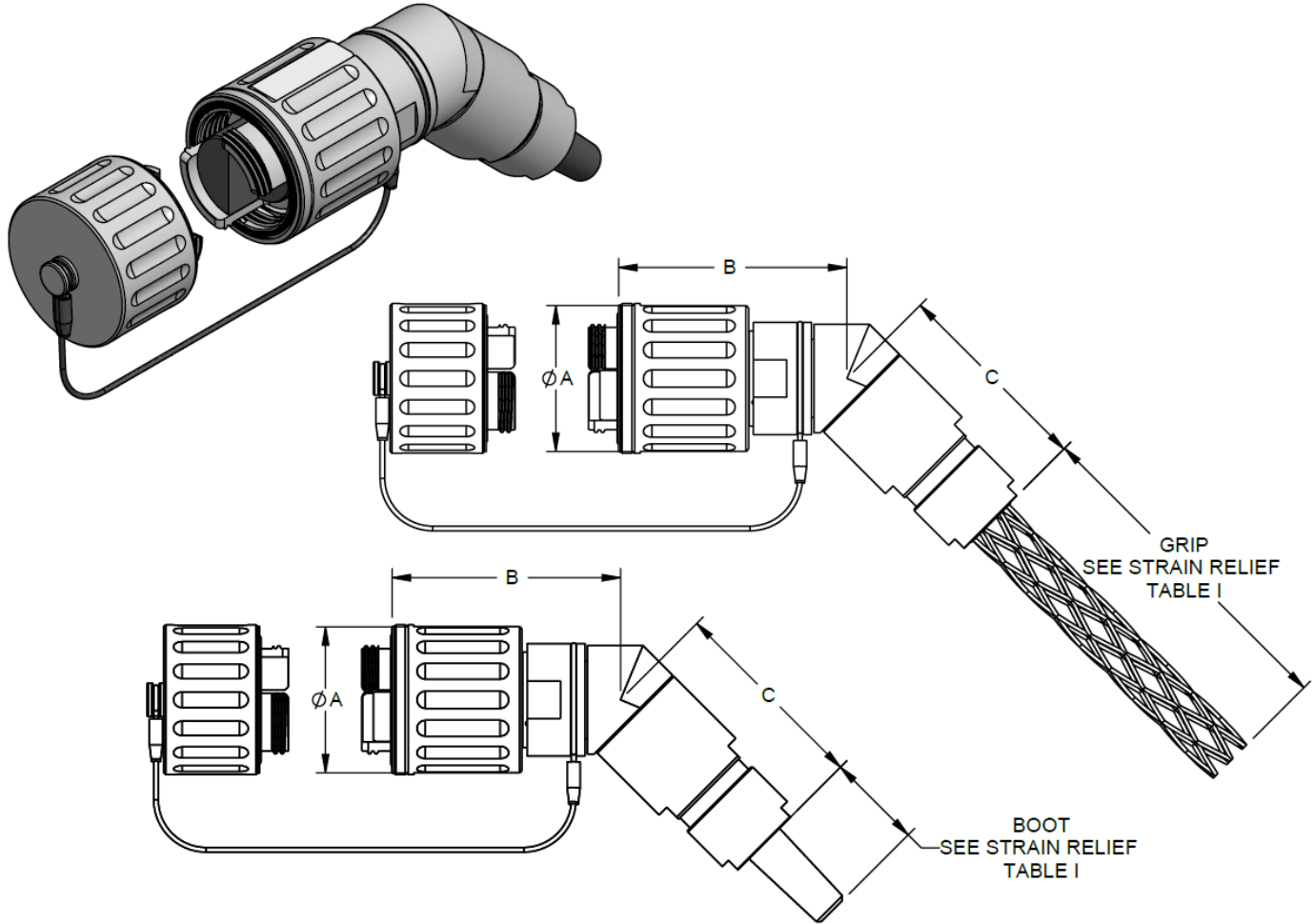
QLINK-PGLX-XXXX-XXXX



NOMINAL DIMENSIONS: in (mm)		
SHELL SIZE	A	B
25	2.245 (57.0)	5.600 (142.2)
27	2.370 (60.2)	5.600 (142.2)
29	2.495 (63.4)	5.600 (142.2)
31	2.620 (66.5)	5.600 (142.2)

QLink Plug, Locking Hermaphroditic, 45° Backshell:

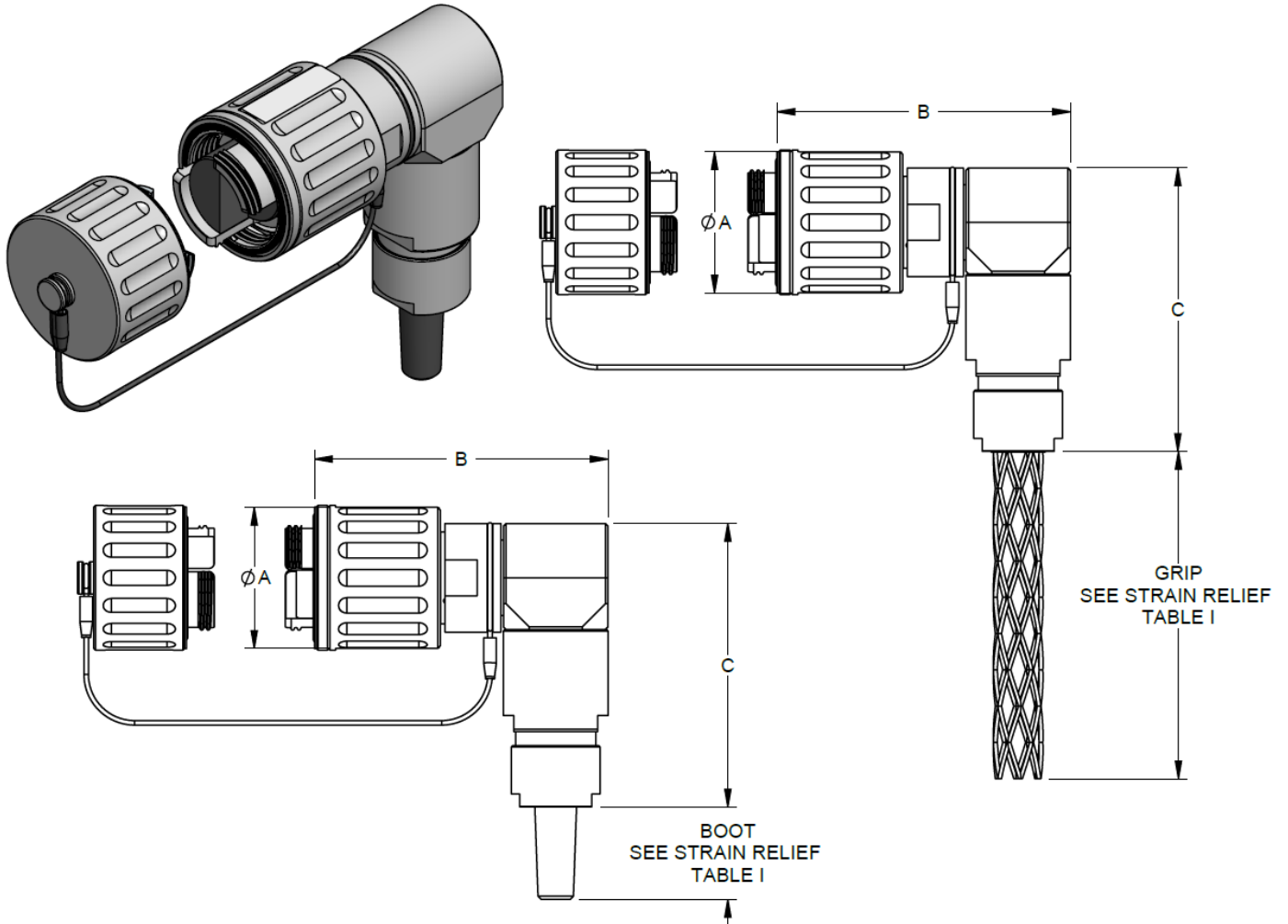
QLINK45-PGLX-XXXX-XXXX



NOMINAL DIMENSIONS: in (mm)			
SHELL SIZE	A	B	C
25	2.245 (57.0)	3.077 (78.2)	3.303 (83.9)
27	2.370 (60.2)	3.077 (78.2)	3.303 (83.9)
29	2.495 (63.4)	3.077 (78.2)	3.303 (83.9)
31	2.620 (66.5)	3.077 (78.2)	3.303 (83.9)

QLink Plug, Locking Hermaphroditic, 90° Backshell:

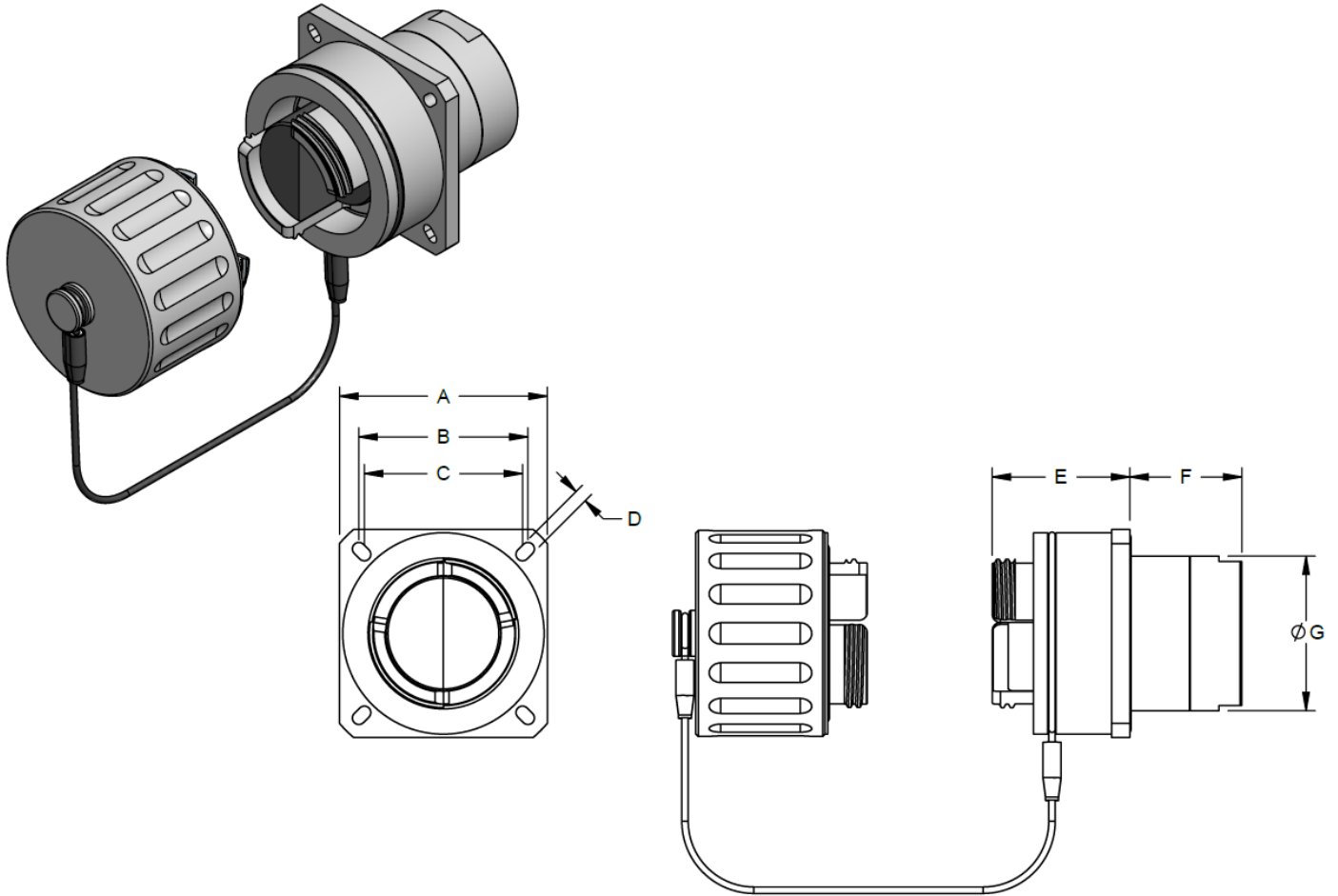
QLINK90-PGLX-XXXX-XXXX



NOMINAL DIMENSIONS: in (mm)			
SHELL SIZE	A	B	C
25	2.245 (57.0)	4.165 (105.8)	4.469 (113.5)
27	2.370 (60.2)	4.165 (105.8)	4.594 (116.7)
29	2.495 (63.4)	4.165 (105.8)	4.719 (119.9)
31	2.620 (66.5)	4.165 (105.8)	4.844 (123.0)

QLink Receptacle, Flange Mount, Locking Hermaphroditic, No Backshell:

QLINK-RFLX-XXXX-S00

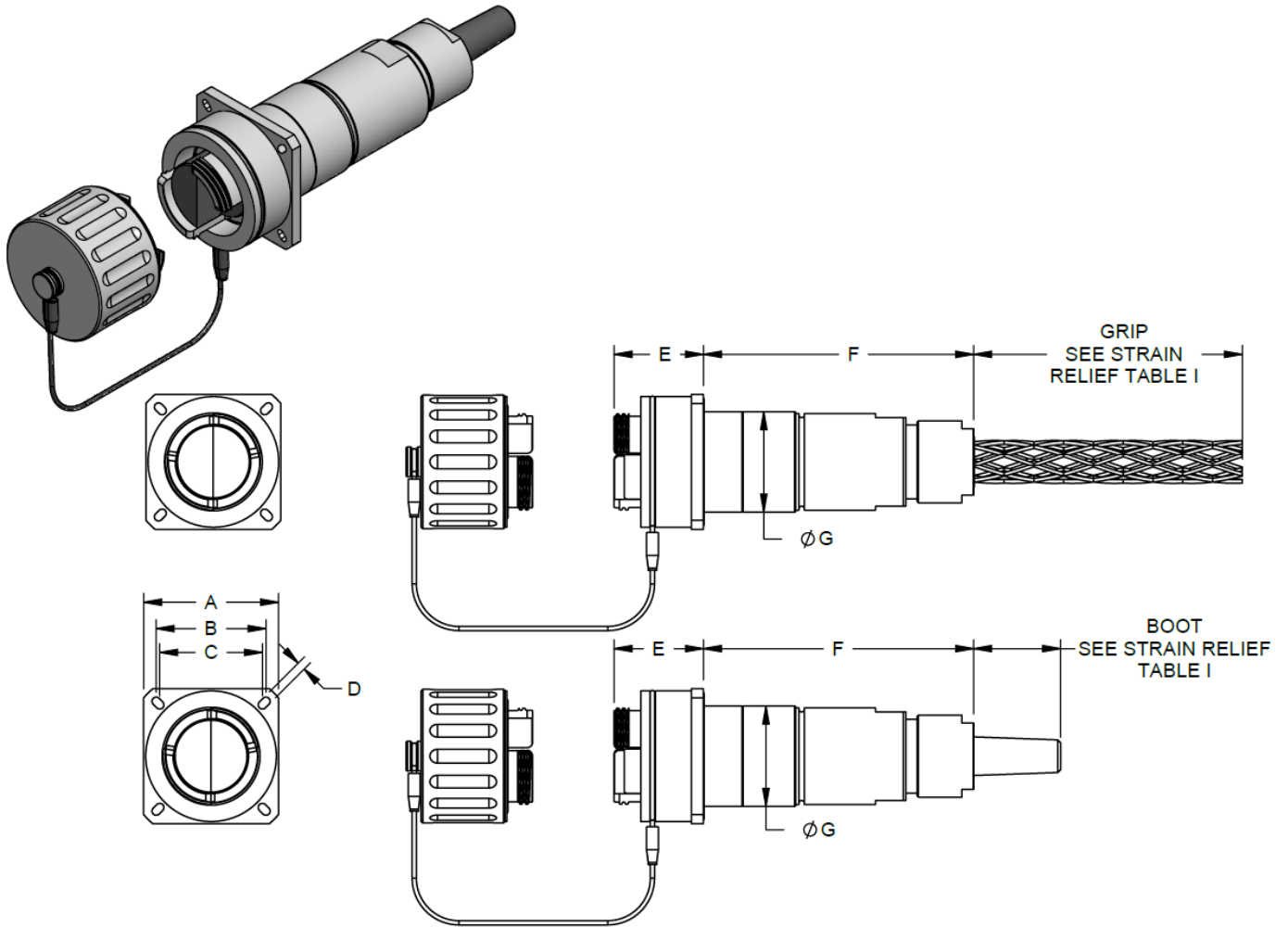


NOMINAL DIMENSIONS: in (mm)

SHELL SIZE	A	B	C	D	E	F	G
25	2.265 (57.5)	1.843 (46.8)	1.723 (43.8)	0.141 (3.6)	1.500 (38.1)	1.220 (31.0)	1.685 (42.8)
27	2.390 (60.7)	1.932 (49.1)	1.812 (46.0)	0.141 (3.6)	1.500 (38.1)	1.220 (31.0)	1.810 (46.0)
29	2.515 (63.9)	2.020 (51.3)	1.900 (48.3)	0.141 (3.6)	1.500 (38.1)	1.220 (31.0)	1.935 (49.1)
31	2.640 (67.1)	2.108 (53.5)	1.988 (50.5)	0.141 (3.6)	1.500 (38.1)	1.220 (31.0)	2.060 (52.3)

QLink Receptacle, Flange Mount, Locking Hermaphroditic, Straight Backshell:

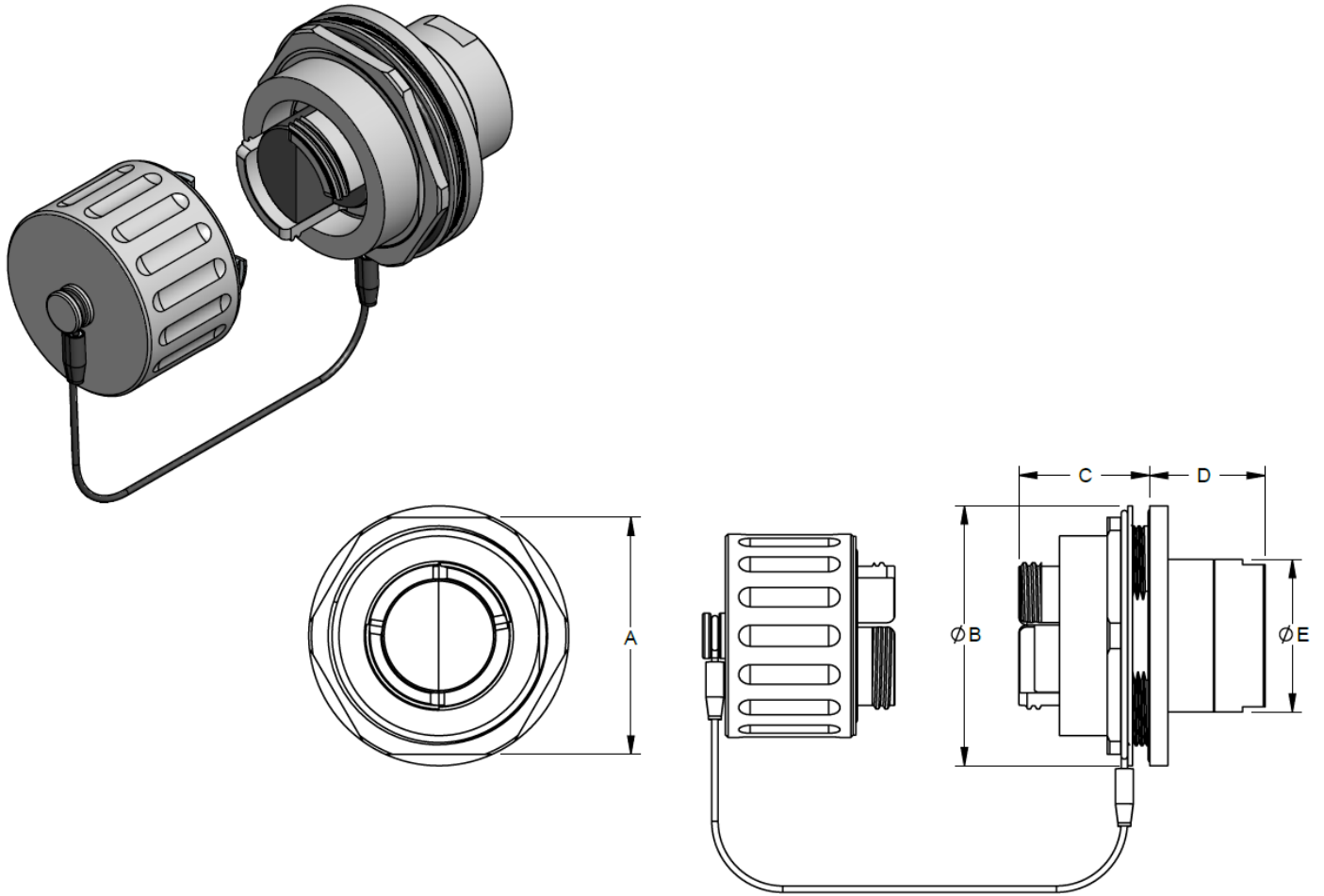
QLINK-RFLX-XXXX-XXXX



NOMINAL DIMENSIONS: in (mm)							
SHELL SIZE	A	B	C	D	E	F	G
25	2.265 (57.5)	1.843 (46.8)	1.723 (43.8)	0.141 (3.6)	1.500 (38.1)	4.425 (112.4)	1.685 (42.8)
27	2.390 (60.7)	1.932 (49.1)	1.812 (46.0)	0.141 (3.6)	1.500 (38.1)	4.425 (112.4)	1.810 (46.0)
29	2.515 (63.9)	2.020 (51.3)	1.900 (48.3)	0.141 (3.6)	1.500 (38.1)	4.425 (112.4)	1.935 (49.1)
31	2.640 (67.1)	2.108 (53.5)	1.988 (50.5)	0.141 (3.6)	1.500 (38.1)	4.425 (112.4)	2.060 (52.3)

QLink Receptacle, Jam Nut, Locking Hermaphroditic, No Backshell:

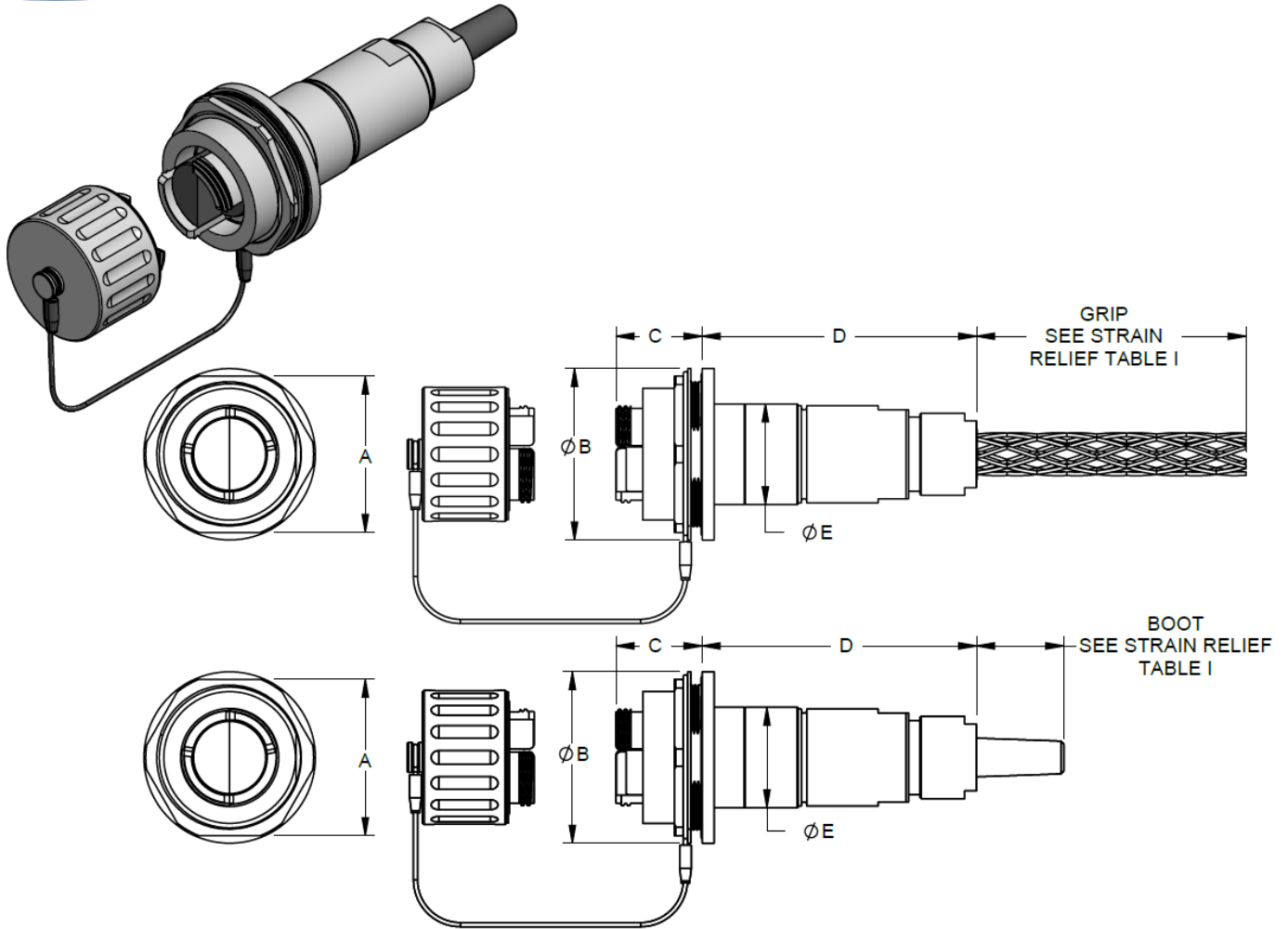
QLINK-RJLX-XXXX-S00



NOMINAL DIMENSIONS: in (mm)					
SHELL SIZE	A	B	C	D	E
25	2.625 (66.7)	2.870 (72.9)	1.445 (36.7)	1.150 (29.2)	1.685 (42.8)
27	2.750 (69.9)	2.995 (76.1)	1.445 (36.7)	1.150 (29.2)	1.810 (46.0)
29	2.875 (73.0)	3.120 (79.2)	1.445 (36.7)	1.150 (29.2)	1.935 (49.1)
31	3.000 (76.2)	3.245 (82.4)	1.445 (36.7)	1.150 (29.2)	2.060 (52.3)

QLink Receptacle, Jam Nut, Locking Hermaphroditic, Straight Backshell:

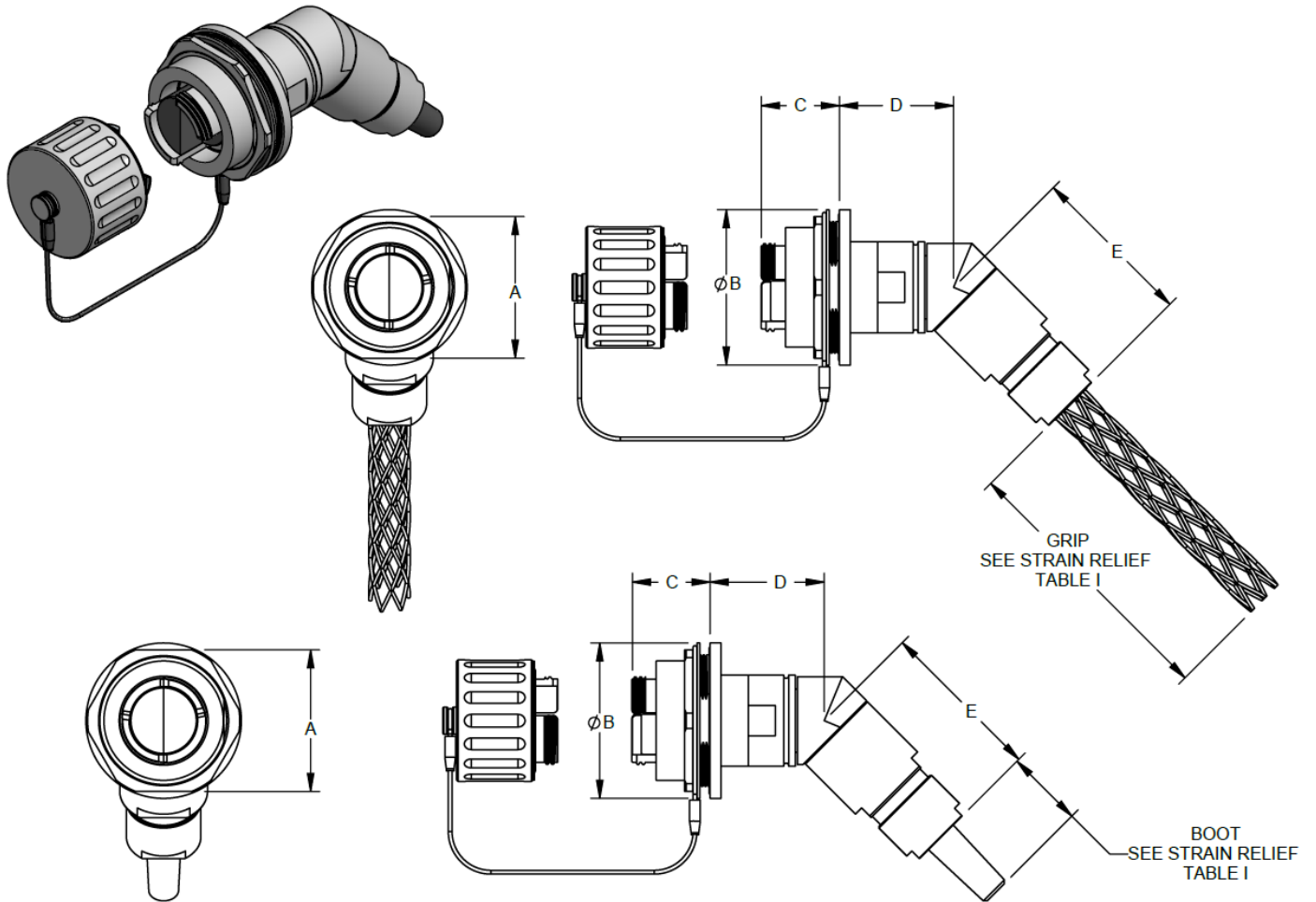
QLINK-RJLX-XXXX-XXXX



NOMINAL DIMENSIONS: in (mm)					
SHELL SIZE	A	B	C	D	E
25	2.625 (66.7)	2.870 (72.9)	1.445 (36.7)	1.600 (40.6)	1.685 (42.8)
27	2.750 (69.9)	2.995 (76.1)	1.445 (36.7)	1.600 (40.6)	1.810 (46.0)
29	2.875 (73.0)	3.120 (79.2)	1.445 (36.7)	1.600 (40.6)	1.935 (49.1)
31	3.000 (76.2)	3.245 (82.4)	1.445 (36.7)	1.600 (40.6)	2.060 (52.3)

QLink Receptacle, Jam Nut, Locking Hermaphroditic, 45° Backshell:

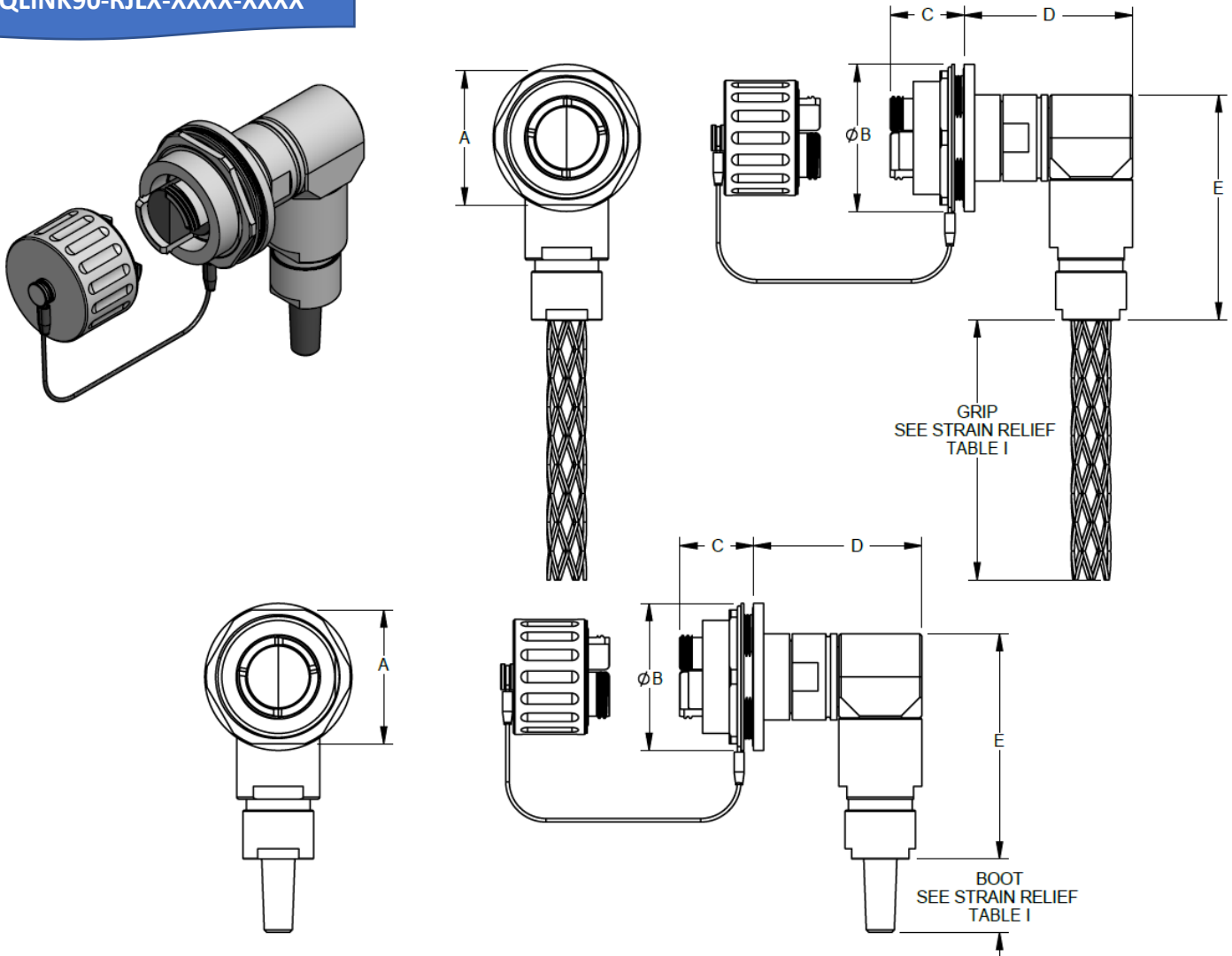
QLINK45-RJLX-XXXX-XXXX



NOMINAL DIMENSIONS: in (mm)					
SHELL SIZE	A	B	C	D	E
25	2.625 (66.7)	2.870 (72.9)	1.445 (36.7)	2.020 (51.3)	3.164 (80.4)
27	2.750 (69.9)	2.995 (76.1)	1.445 (36.7)	2.020 (51.3)	3.226 (81.9)
29	2.875 (73.0)	3.120 (79.2)	1.445 (36.7)	2.020 (51.3)	3.289 (83.5)
31	3.000 (76.2)	3.245 (82.4)	1.445 (36.7)	2.020 (51.3)	3.351 (85.1)

QLink Receptacle, Jam Nut, Locking Hermaphroditic, 90° Backshell:

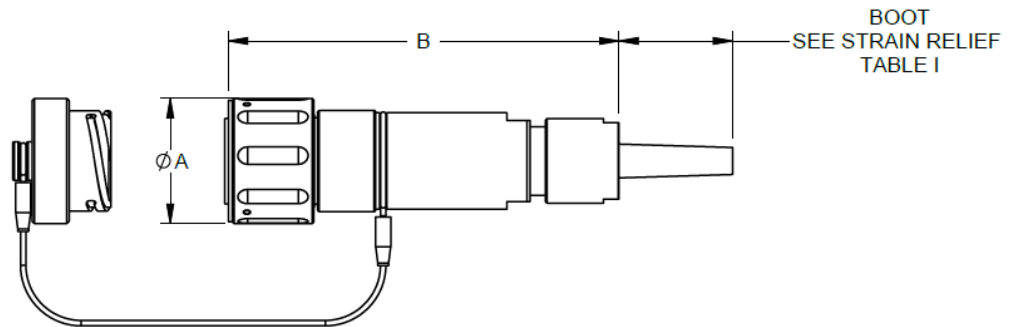
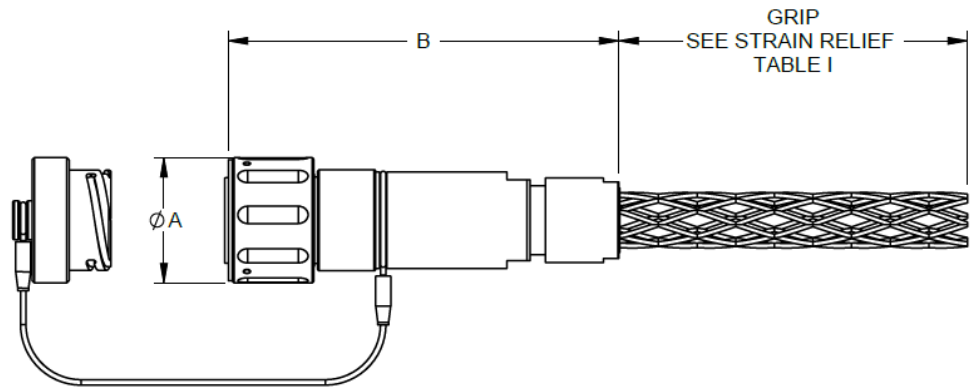
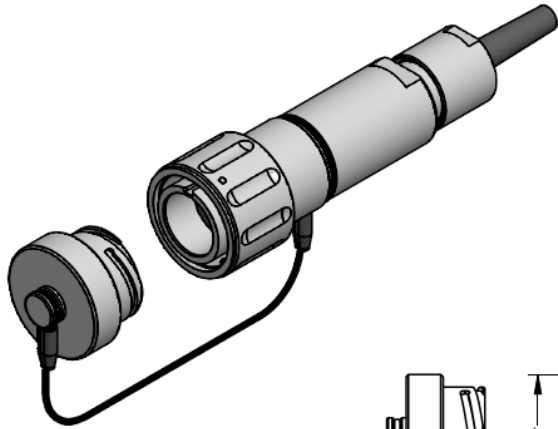
QLINK90-RJLX-XXXX-XXXX



NOMINAL DIMENSIONS: in (mm)					
SHELL SIZE	A	B	C	D	E
25	2.625 (66.7)	2.870 (72.9)	1.445 (36.7)	3.056 (77.6)	4.445 (112.9)
27	2.750 (69.9)	2.995 (76.1)	1.445 (36.7)	3.056 (77.6)	4.570 (116.1)
29	2.875 (73.0)	3.120 (79.2)	1.445 (36.7)	3.056 (77.6)	4.695 (119.3)
31	3.000 (76.2)	3.245 (82.4)	1.445 (36.7)	3.056 (77.6)	4.820 (122.4)

QLink Plug, Reverse Bayonet, Straight Backshell:

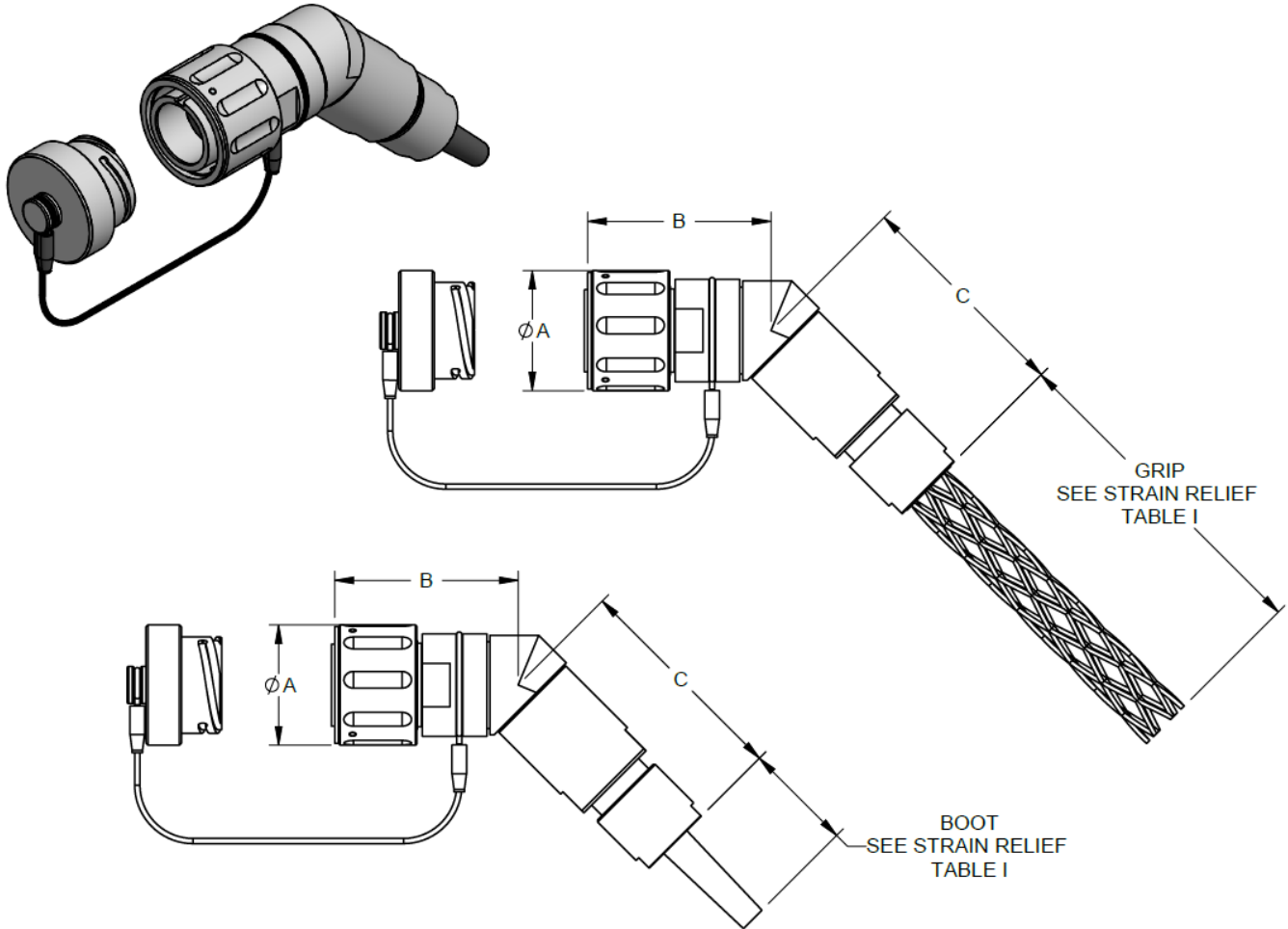
QLINK-PGBX-XXXX-XXXX



NOMINAL DIMENSIONS: in (mm)		
SHELL SIZE	A	B
13	1.245 (31.6)	5.120 (130.0)
15	1.370 (34.8)	5.120 (130.0)
17	1.495 (38.0)	5.120 (130.0)
19	1.620 (41.1)	5.120 (130.0)
21	1.745 (44.3)	5.120 (130.0)
23	1.870 (47.5)	5.120 (130.0)

QLink Plug, Reverse Bayonet, 45° Backshell:

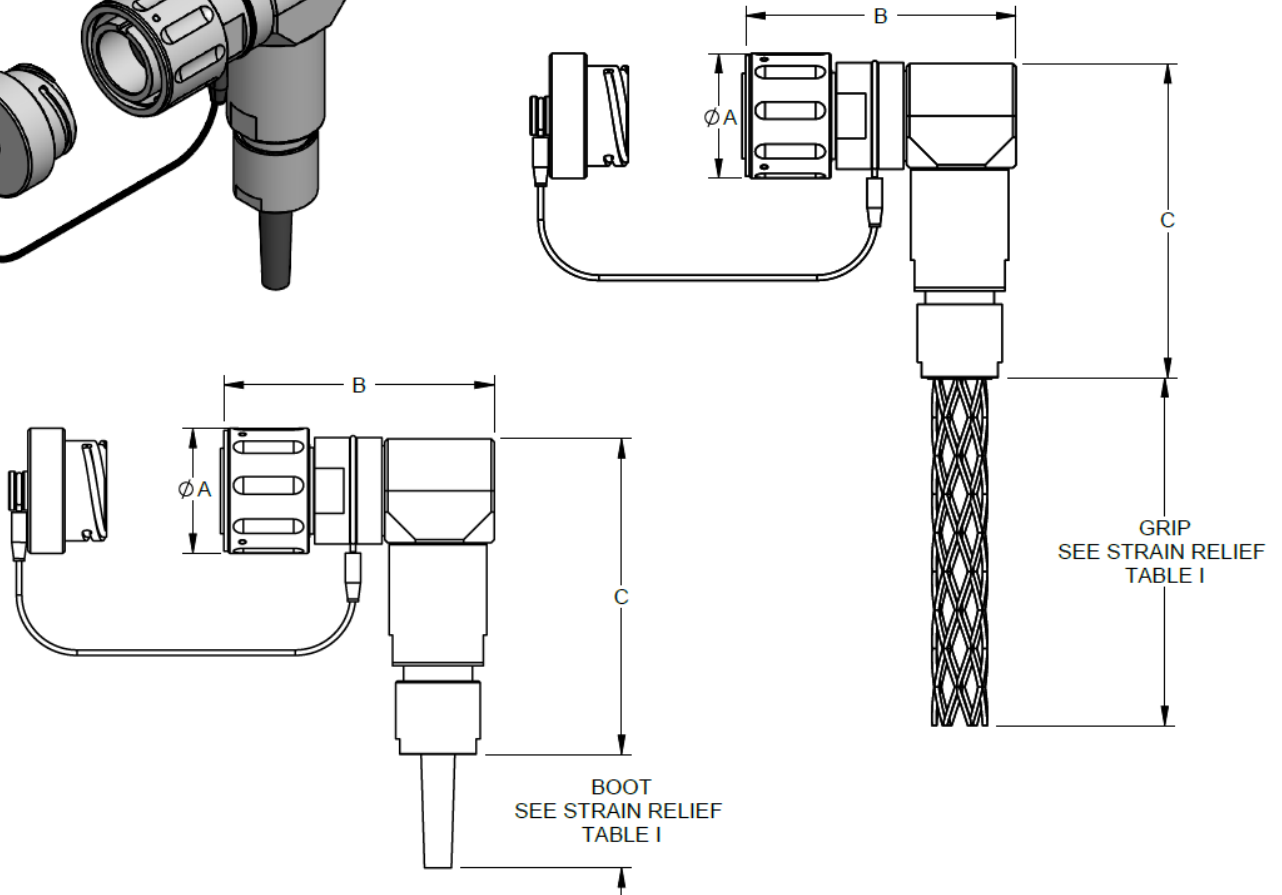
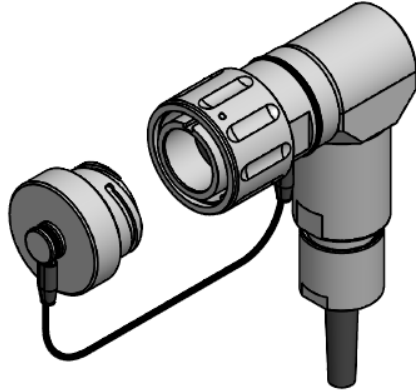
QLINK45-PGBX-XXXX-XXXX



NOMINAL DIMENSIONS: in (mm)			
SHELL SIZE	A	B	C
13	1.245 (31.6)	2.462 (62.5)	2.990 (75.9)
15	1.370 (34.8)	2.462 (62.5)	2.990 (75.9)
17	1.495 (38.0)	2.462 (62.5)	2.990 (75.9)
19	1.620 (41.1)	2.462 (62.5)	2.990 (75.9)
21	1.745 (44.3)	2.525 (64.1)	3.053 (77.5)
23	1.870 (47.5)	2.587 (65.7)	3.115 (79.1)

QLink Plug, Reverse Bayonet, 90° Backshell:

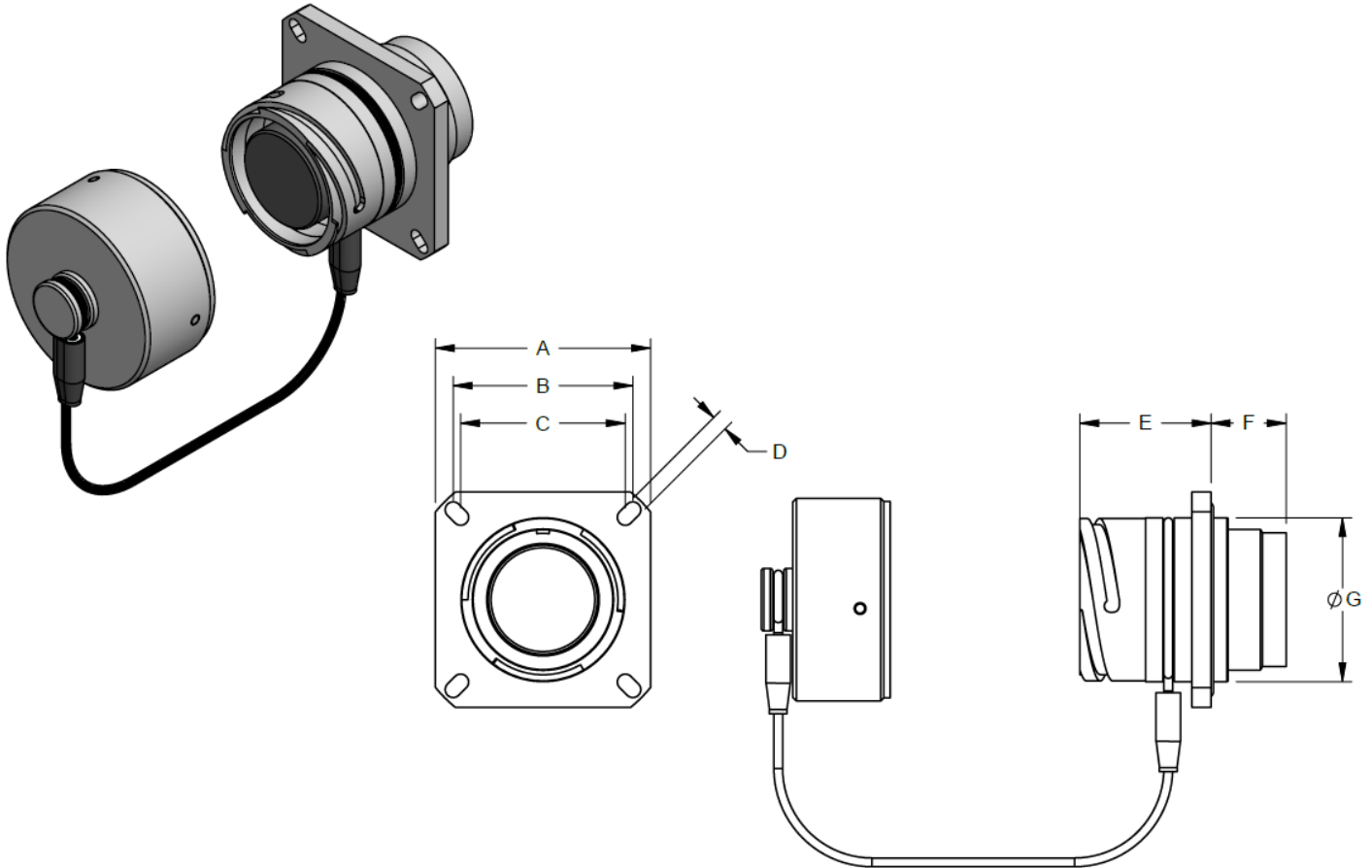
QLINK90-PGBX-XXXX-XXXX



NOMINAL DIMENSIONS: in (mm)			
SHELL SIZE	A	B	C
13	1.245 (31.6)	3.500 (88.9)	4.094 (104.0)
15	1.370 (34.8)	3.500 (88.9)	4.094 (104.0)
17	1.495 (38.0)	3.500 (88.9)	4.094 (104.0)
19	1.620 (41.1)	3.500 (88.9)	4.094 (104.0)
21	1.745 (44.3)	3.625 (92.1)	4.219 (107.2)
23	1.870 (47.5)	3.625 (92.1)	4.344 (110.3)

QLink Receptacle, Flange Mount, Reverse Bayonet, No Backshell:

QLINK-RFBX-XXXX-S00

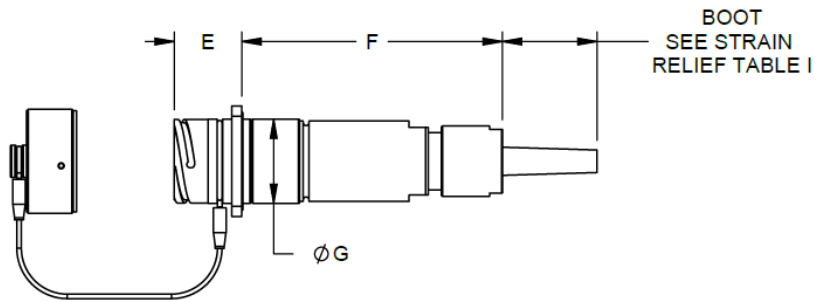
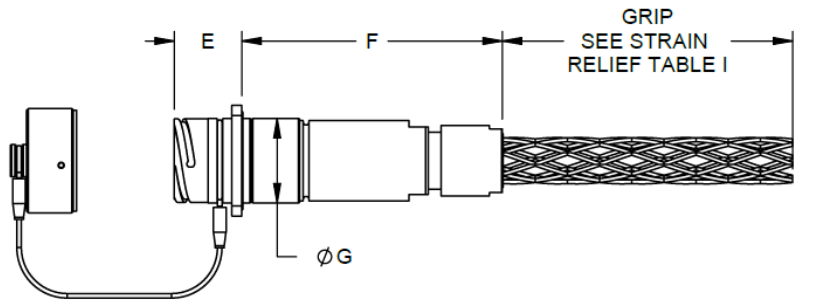
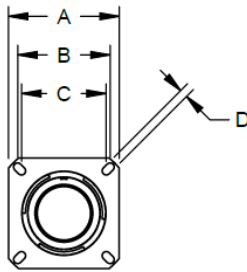
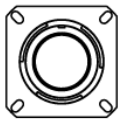
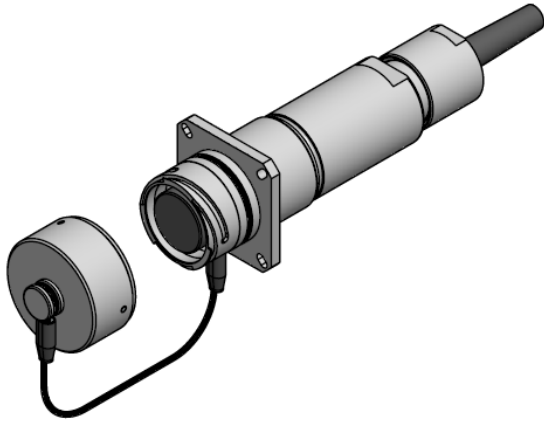


NOMINAL DIMENSIONS: in (mm)

SHELL SIZE	A	B	C	D	E	F	G
13	1.345 (34.2)	1.108 (28.1)	1.051 (26.7)	0.128 (3.3)	1.050 (26.7)	0.600 (15.2)	0.935 (23.7)
15	1.470 (37.3)	1.200 (30.5)	1.125 (28.6)	0.128 (3.3)	1.050 (26.7)	0.600 (15.2)	1.060 (26.9)
17	1.595 (40.5)	1.320 (33.5)	1.220 (31.0)	0.128 (3.3)	1.050 (26.7)	0.600 (15.2)	1.185 (30.1)
19	1.720 (43.7)	1.437 (36.5)	1.317 (33.5)	0.128 (3.3)	1.050 (26.7)	0.600 (15.2)	1.310 (33.3)
21	1.845 (46.9)	1.525 (38.7)	1.405 (35.7)	0.128 (3.3)	1.050 (26.7)	0.600 (15.2)	1.435 (36.4)
23	1.970 (50.0)	1.614 (41.0)	1.494 (37.9)	0.128 (3.3)	1.050 (26.7)	0.600 (15.2)	1.560 (39.6)

QLink Receptacle, Flange Mount, Reverse Bayonet, Straight Backshell:

QLINK-RFBX-XXXX-XXXX

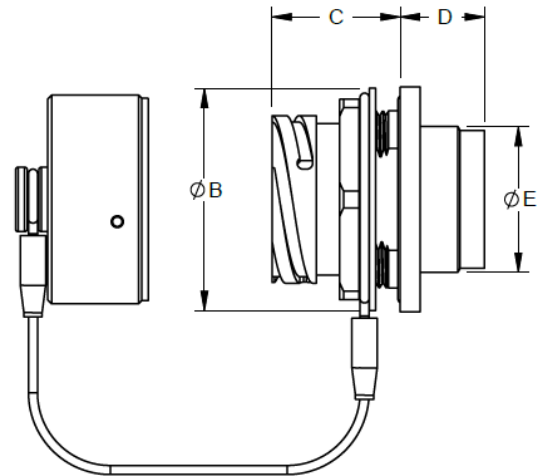
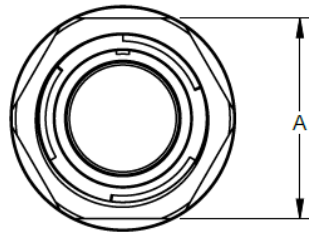


NOMINAL DIMENSIONS: in (mm)

SHELL SIZE	A	B	C	D	E	F	G
13	1.345 (34.2)	1.108 (28.1)	1.051 (26.7)	0.128 (3.3)	1.050 (26.7)	4.050 (102.9)	0.935 (23.7)
15	1.470 (37.3)	1.200 (30.5)	1.125 (28.6)	0.128 (3.3)	1.050 (26.7)	4.050 (102.9)	1.060 (26.9)
17	1.595 (40.5)	1.320 (33.5)	1.220 (31.0)	0.128 (3.3)	1.050 (26.7)	4.050 (102.9)	1.185 (30.1)
19	1.720 (43.7)	1.437 (36.5)	1.317 (33.5)	0.128 (3.3)	1.050 (26.7)	4.050 (102.9)	1.310 (33.3)
21	1.845 (46.9)	1.525 (38.7)	1.405 (35.7)	0.128 (3.3)	1.050 (26.7)	4.050 (102.9)	1.435 (36.4)
23	1.970 (50.0)	1.614 (41.0)	1.494 (37.9)	0.128 (3.3)	1.050 (26.7)	4.050 (102.9)	1.560 (39.6)

QLink Receptacle, Jam Nut, Reverse Bayonet, No Backshell:

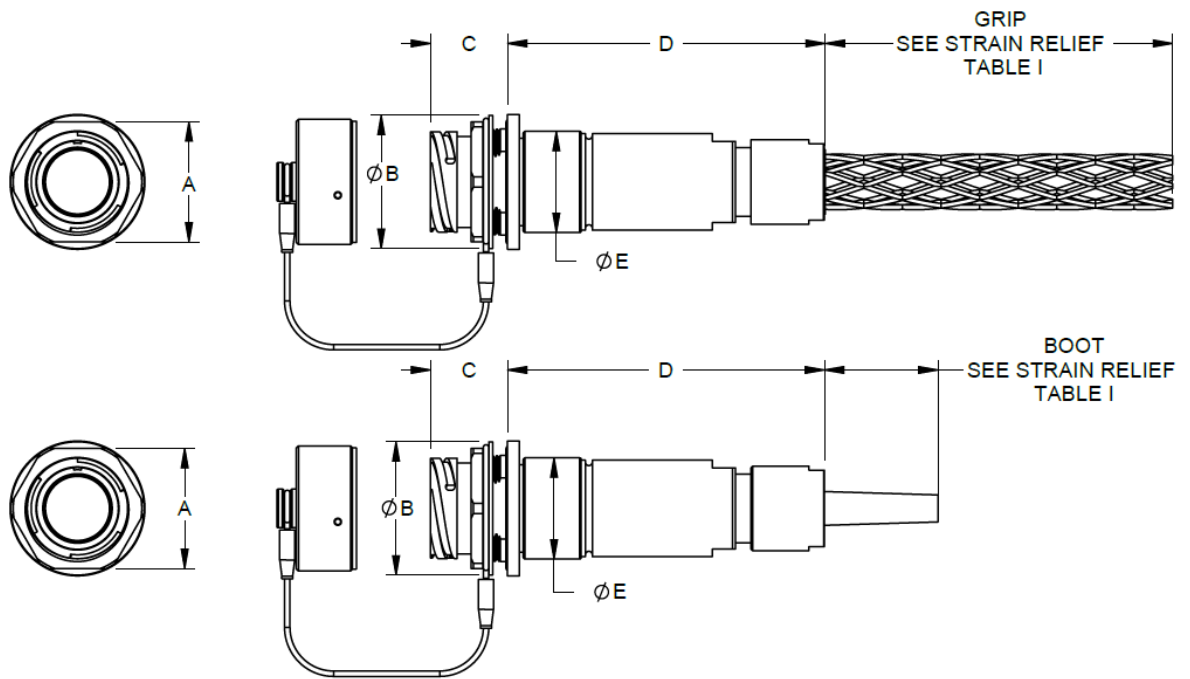
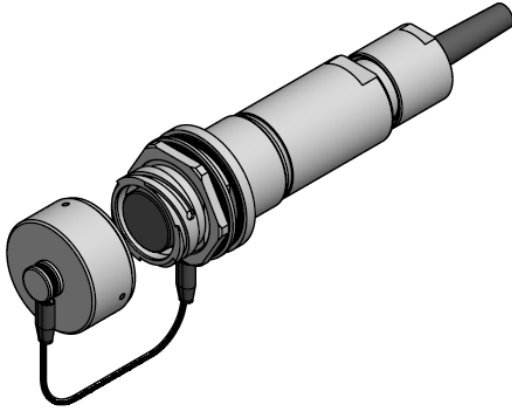
QLINK-RJBX-XXXX-S00



NOMINAL DIMENSIONS: in (mm)					
SHELL SIZE	A	B	C	D	E
13	1.240 (31.5)	1.375 (34.9)	0.995 (25.3)	0.655 (16.6)	0.750 (19.1)
15	1.310 (33.3)	1.500 (38.1)	0.995 (25.3)	0.655 (16.6)	0.875 (22.2)
17	1.435 (36.4)	1.625 (41.3)	0.995 (25.3)	0.655 (16.6)	1.000 (25.4)
19	1.560 (39.6)	1.750 (44.5)	0.995 (25.3)	0.655 (16.6)	1.125 (28.6)
21	1.685 (42.8)	1.875 (47.6)	0.995 (25.3)	0.655 (16.6)	1.250 (31.8)
23	1.810 (46.0)	2.000 (50.8)	0.995 (25.3)	0.655 (16.6)	1.375 (34.9)

QLink Receptacle, Jam Nut, Reverse Bayonet, Straight Backshell:

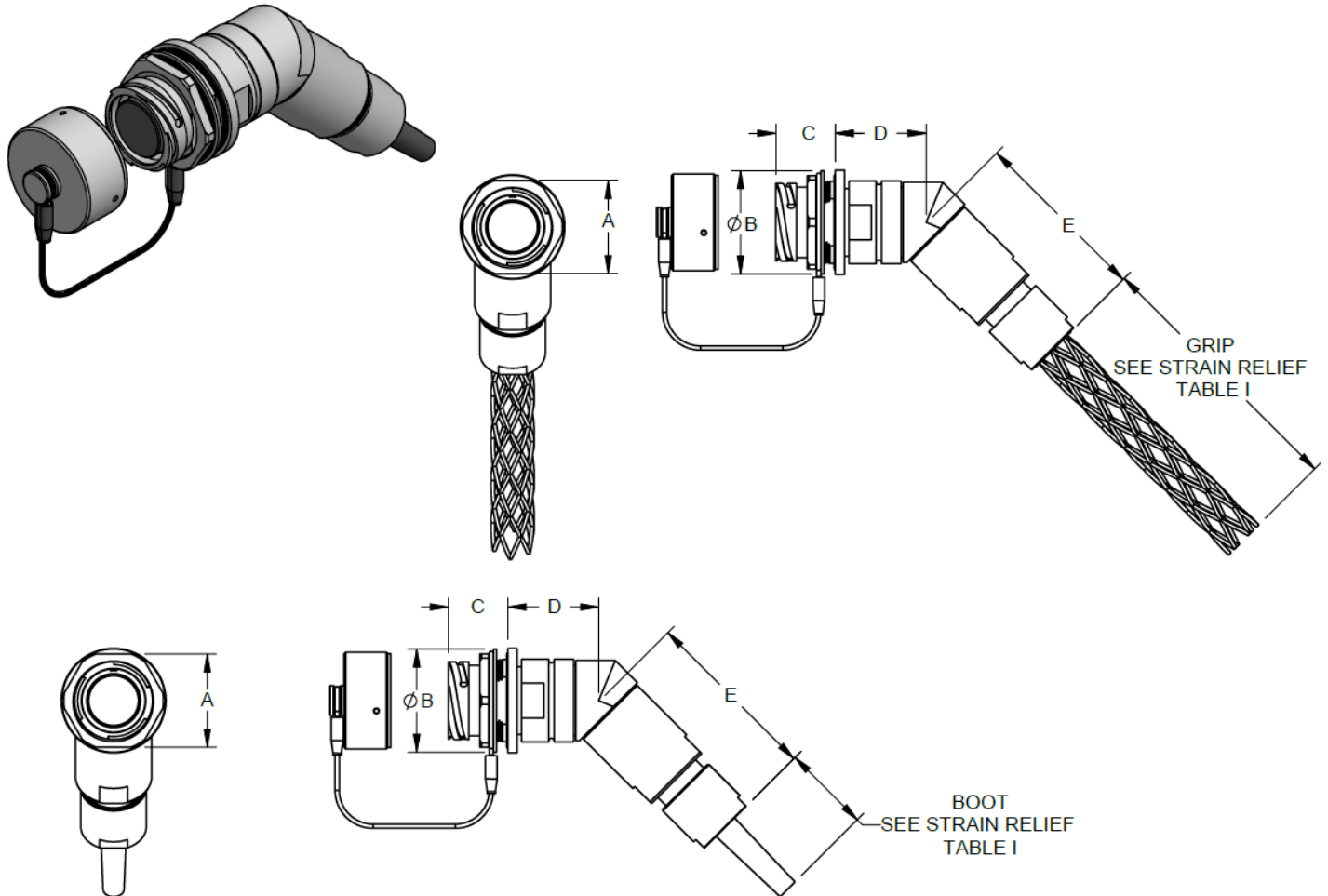
QLINK-RJBX-XXXX-XXXX



NOMINAL DIMENSIONS: in (mm)					
SHELL SIZE	A	B	C	D	E
13	1.240 (31.5)	1.375 (34.9)	0.995 (25.3)	4.105 (104.3)	0.935 (23.7)
15	1.310 (33.3)	1.500 (38.1)	0.995 (25.3)	4.105 (104.3)	1.060 (26.9)
17	1.435 (36.4)	1.625 (41.3)	0.995 (25.3)	4.105 (104.3)	1.185 (30.1)
19	1.560 (39.6)	1.750 (44.5)	0.995 (25.3)	4.105 (104.3)	1.310 (33.3)
21	1.685 (42.8)	1.875 (47.6)	0.995 (25.3)	4.105 (104.3)	1.435 (36.4)
23	1.810 (46.0)	2.000 (50.8)	0.995 (25.3)	4.105 (104.3)	1.560 (39.6)

QLink Receptacle, Jam Nut, Reverse Bayonet, 45° Backshell:

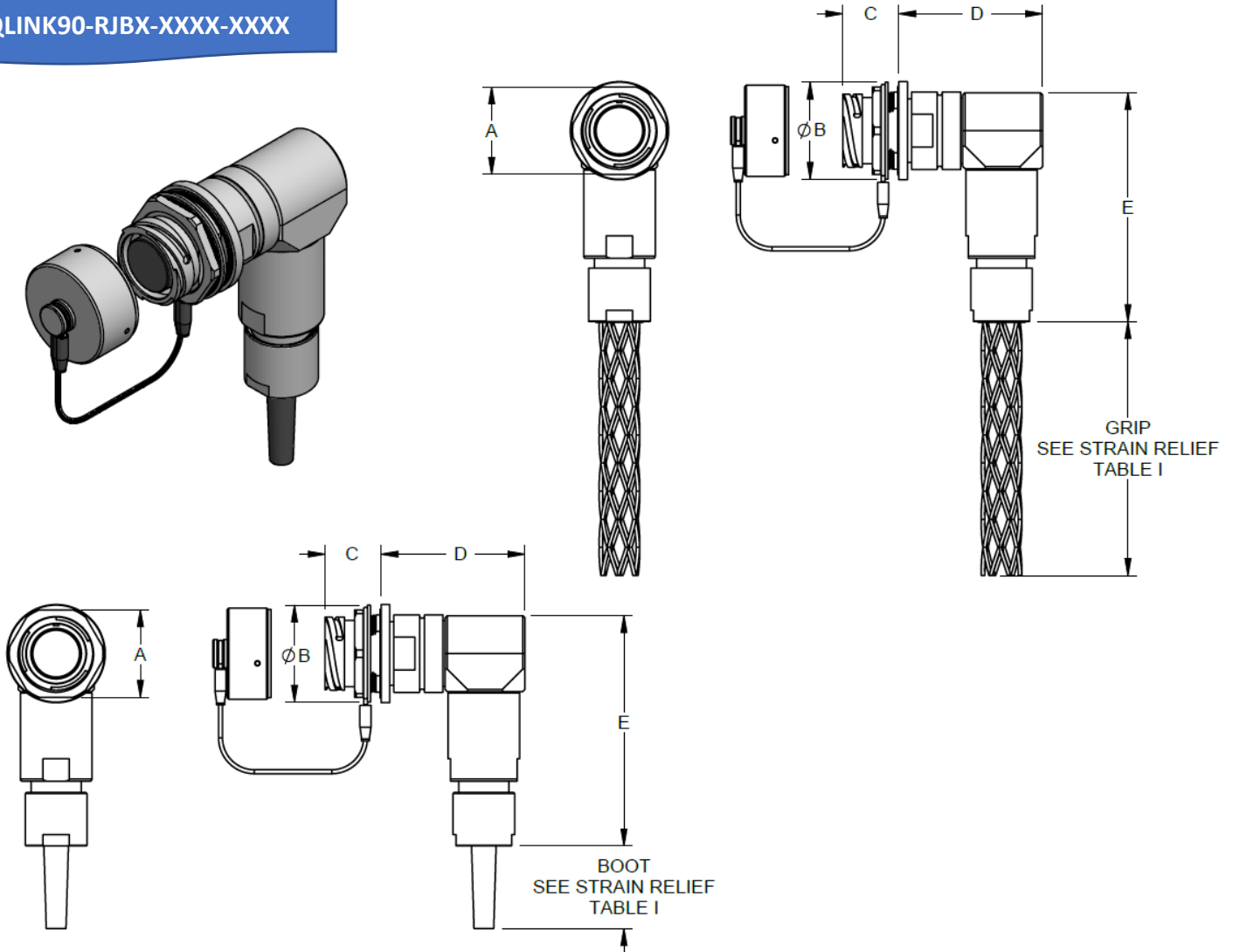
QLINK45-RJBX-XXXX-XXXX



NOMINAL DIMENSIONS: in (mm)					
SHELL SIZE	A	B	C	D	E
13	1.240 (31.5)	1.375 (34.9)	0.995 (25.3)	1.518 (38.6)	2.976 (75.6)
15	1.310 (33.3)	1.500 (38.1)	0.995 (25.3)	1.518 (38.6)	2.976 (75.6)
17	1.435 (36.4)	1.625 (41.3)	0.995 (25.3)	1.518 (38.6)	2.976 (75.6)
19	1.560 (39.6)	1.750 (44.5)	0.995 (25.3)	1.518 (38.6)	2.976 (75.6)
21	1.685 (42.8)	1.875 (47.6)	0.995 (25.3)	1.581 (40.1)	3.039 (77.2)
23	1.810 (46.0)	2.000 (50.8)	0.995 (25.3)	1.643 (41.7)	3.101 (78.8)

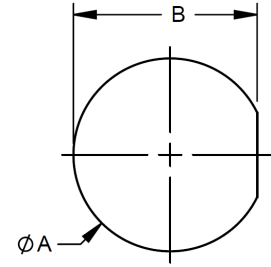
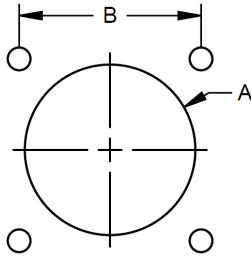
QLink Receptacle, Jam Nut, Reverse Bayonet, 90° Backshell:

QLINK90-RJBX-XXXX-XXXX



NOMINAL DIMENSIONS: in (mm)					
SHELL SIZE	A	B	C	D	E
13	1.240 (31.5)	1.375 (34.9)	0.995 (25.3)	2.556 (64.9)	4.070 (103.4)
15	1.310 (33.3)	1.500 (38.1)	0.995 (25.3)	2.556 (64.9)	4.070 (103.4)
17	1.435 (36.4)	1.625 (41.3)	0.995 (25.3)	2.556 (64.9)	4.070 (103.4)
19	1.560 (39.6)	1.750 (44.5)	0.995 (25.3)	2.556 (64.9)	4.070 (103.4)
21	1.685 (42.8)	1.875 (47.6)	0.995 (25.3)	2.556 (64.9)	4.195 (106.6)
23	1.810 (46.0)	2.000 (50.8)	0.995 (25.3)	2.681 (68.1)	4.320 (109.7)

QLink Receptacle Panel Cutouts:



Flange Mount (Threaded & Reverse)

NOMINAL DIMENSIONS: in (mm)		
SHELL SIZE	A	B
13	0.950 (24.1)	1.080 (27.4)
15	1.075 (27.3)	1.165 (29.6)
17	1.200 (30.5)	1.285 (32.6)
19	1.325 (33.7)	1.377 (35.0)
21	1.450 (36.8)	1.465 (37.2)
23	1.575 (40.0)	1.554 (39.5)
25	1.700 (43.2)	1.642 (41.7)
27	1.825 (46.4)	1.730 (43.9)
29	1.950 (49.5)	1.819 (46.2)
31	2.075 (52.7)	1.907 (48.4)

Jam Nut (Threaded & Reverse Bayonet)

NOMINAL DIMENSIONS: in (mm)		
SHELL SIZE	A	B
13	1.015 (25.8)	0.945 (24.0)
15	1.140 (29.0)	1.070 (27.2)
17	1.265 (32.1)	1.195 (30.4)
19	1.390 (35.3)	1.320 (33.5)
21	1.515 (38.5)	1.445 (36.7)
23	1.640 (41.7)	1.570 (39.9)
25	1.890 (48.0)	1.758 (44.6)
27	2.015 (51.2)	1.883 (47.8)
29	2.140 (54.4)	2.008 (51.0)
31	2.265 (57.5)	2.133 (54.2)

Flange Mount (Hermaphroditic)

NOMINAL DIMENSIONS: in (mm)		
SHELL SIZE	A	B
13	0.950 (24.1)	1.080 (27.4)
15	1.075 (27.3)	1.165 (29.6)
17	1.200 (30.5)	1.285 (32.6)
19	1.325 (33.7)	1.377 (35.0)
21	1.450 (36.8)	1.465 (37.2)
23	1.575 (40.0)	1.554 (39.5)

Jam Nut (Hermaphroditic)

NOMINAL DIMENSIONS: in (mm)		
SHELL SIZE	A	B
13	1.515 (38.5)	1.393 (35.4)
15	1.640 (41.7)	1.518 (38.5)
17	1.765 (44.8)	1.643 (41.7)
19	1.890 (48.0)	1.768 (44.9)
21	2.015 (51.2)	1.893 (48.1)
23	2.140 (54.4)	2.018 (51.2)

Flange Mount (Locking Hermaphroditic)


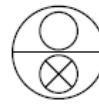


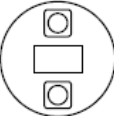
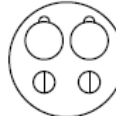
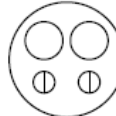
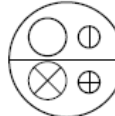
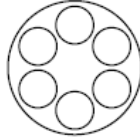
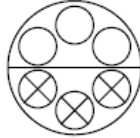
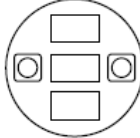

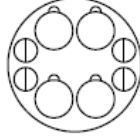
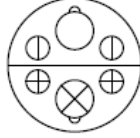
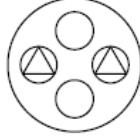
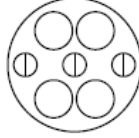
NOMINAL DIMENSIONS: in (mm)		
SHELL SIZE	A	B
25	1.700 (43.2)	1.783 (45.3)
27	1.825 (46.4)	1.872 (47.5)
29	1.950 (49.5)	1.960 (49.8)
31	2.075 (52.7)	2.048 (52.0)

Jam Nut (Locking Hermaphroditic)












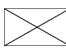
NOMINAL DIMENSIONS: in (mm)		
SHELL SIZE	A	B
25	2.380 (60.5)	2.285 (58.0)
27	2.505 (63.6)	2.410 (61.2)
29	2.630 (66.8)	2.535 (64.4)
31	2.755 (70.0)	2.660 (67.6)

Jam Nut Maximum Panel Thickness: 0.25"

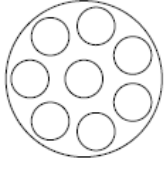
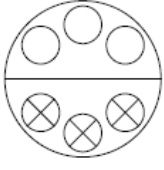
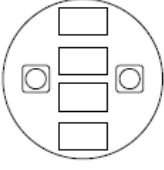
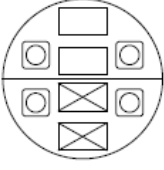
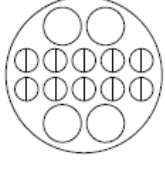
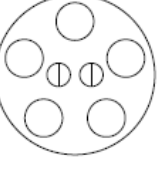
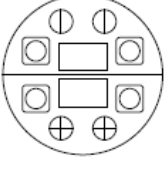
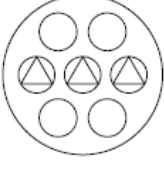
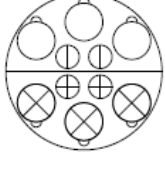
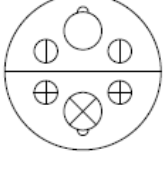
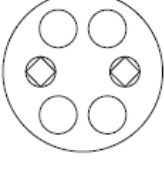
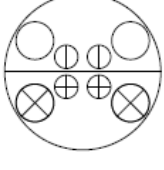
QLink Insert Layouts (Shell Sizes 13 – 17):

Shell Size / Insert Designator:							
							
PIN / SOCKET		HERMAPHRODITIC		PIN / SOCKET		HERMAPHRODITIC	
13A1	2x 2.5mm PIN TERMINI	13A3	1x 2.5mm PIN TERMINI	15A1	4x 2.5mm PIN TERMINI	15A3	2x 2.5mm PIN TERMINI
13A2	2x 2.5mm SKT TERMINI		1x 2.5mm SKT TERMINI	15A2	4x 2.5mm SKT TERMINI		2x 2.5mm SKT TERMINI
13A7	2x 2.5mm PIN TERMINI, APC		1x 2.5mm PIN TERMINI, APC	15A7	4x 2.5mm PIN TERMINI, APC		2x 2.5mm PIN TERMINI, APC
13A8	2x 2.5mm SKT TERMINI, APC		1x 2.5mm SKT TERMINI, APC	15A8	4x 2.5mm SKT TERMINI, APC		2x 2.5mm SKT TERMINI, APC
							
PIN / SOCKET MT		PIN / SOCKET HYBRID		PIN / SOCKET HYBRID		HERMAPHRODITIC HYBRID	
15A4	1x MT PIN	15B1	2x 2.5mm PIN TERMINI, APC	15B3	2x 2.5mm PIN TERMINI	15B9	1x 2.5mm PIN TERMINI
15A5	1x MT SKT		2x #16 PIN CONTACTS	15B4	2x 2.5mm SKT TERMINI		1x #16 PIN CONTACT
		2x 2.5mm SKT TERMINI, APC		2x #16 SKT CONTACTS	1x 2.5mm SKT TERMINI		1x #16 SKT CONTACT
							
PIN / SOCKET		HERMAPHRODITIC		PIN / SOCKET MT		HERMAPHRODITIC MT	
17A1	6x 2.5mm PIN TERMINI	17A3	3x 2.5mm PIN TERMINI	17A4	3x MT PIN	17A6	1x MT PIN
17A2	6x 2.5mm SKT TERMINI		3x 2.5mm SKT TERMINI	17A5	3x MT SKT		1x MT SKT
17A7	6x 2.5mm PIN TERMINI, APC		3x 2.5mm PIN TERMINI, APC				
17A8	6x 2.5mm SKT TERMINI, APC		3x 2.5mm SKT TERMINI, APC				
							
PIN / SOCKET HYBRID		HERMAPHRODITIC HYBRID		PIN / SOCKET HYBRID		PIN / SOCKET HYBRID	
17B1	4x 2.5mm PIN TERMINI, APC	17B3	1x 2.5mm PIN TERMINI, APC	17B4	2x 2.5mm PIN TERMINI	17B6	4x 2.5mm PIN TERMINI
	4x #16 PIN CONTACTS		2x #16 PIN CONTACTS	17B5	2x #8 PIN CONTACTS		3x #16 PIN CONTACTS
17B2	4x 2.5mm SKT TERMINI, APC		1x 2.5mm SKT TERMINI, APC		2x 2.5mm SKT TERMINI		4x 2.5mm SKT TERMINI
	4x #16 SKT CONTACTS	2x #16 SKT CONTACTS		2x #8 SKT CONTACTS	3x #16 SKT CONTACTS		













*For PIN/SOCKET Configuration, PIN Layout Shown

LEGEND	2.5 mm Termini	2.5 mm APC Termini	Size 16 Contact	Size 12 Contact	Size 8 Contact	MT
PIN						
SOCKET						

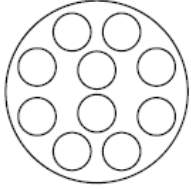
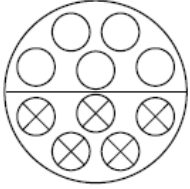
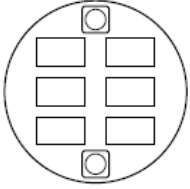
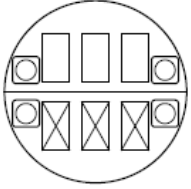
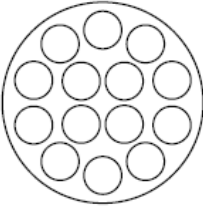
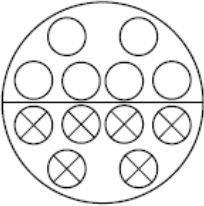
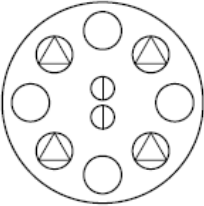
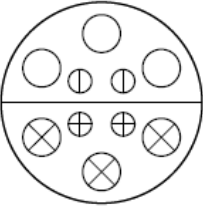
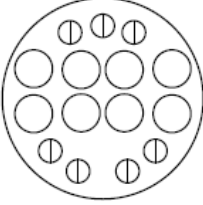
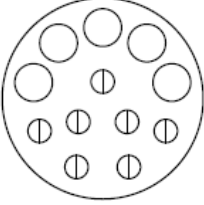
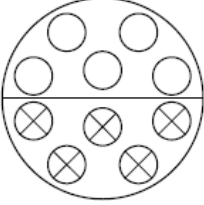
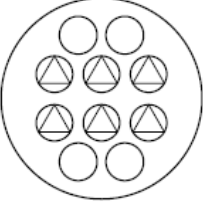
QLink Insert Layouts (Shell Size 19):

Shell Size / Insert Designator:							
							
PIN / SOCKET		HERMAPHRODITIC		PIN / SOCKET MT		HERMAPHRODITIC MT	
19A1	8x 2.5mm PIN TERMINI	19A3	3x 2.5mm PIN TERMINI	19A4	4x MT PIN	19A6	2x MT PIN
19A2	8x 2.5mm SKT TERMINI		3x 2.5mm SKT TERMINI		4x MT SOCKET		2x MT SOCKET
19A7	8x 2.5mm PIN TERMINI, APC	19A9	3x 2.5mm PIN TERMINI, APC	19A5	4x MT SOCKET	19A6	2x MT SOCKET
19A8	8x 2.5mm SKT TERMINI, APC		3x 2.5mm SKT TERMINI, APC				
							
PIN / SOCKET MT		PIN / SOCKET HYBRID		HERMAPHRODITIC HYBRID		PIN / SOCKET HYBRID	
19B1	4x 2.5mm PIN TERMINI	19B3	5x 2.5mm PIN TERMINI	19B5	1x MT PIN	19B6	4 2.5mm PIN TERMINI
	10x #16 PIN CONTACTS		2x #16 PIN CONTACTS		2x #16 PIN CONTACTS		3x #8 PIN CONTACTS
19B2	4x 2.5mm SKT TERMINI	19B4	5x 2.5mm SKT TERMINI		1x MT SOCKET	19B7	4x 2.5mm SKT TERMINI
	10x #16 SKT CONTACTS		2x #16 SKT CONTACTS		2x #16 SKT CONTACTS		3x #8 SKT CONTACTS
							
HERMAPHRODITIC HYBRID		HERMAPHRODITIC HYBRID		HERMAPHRODITIC MT		HERMAPHRODITIC HYBRID	
19B8	3x 2.5mm PIN TERMINI	19C2	1x 2.5mm PIN TERMINI	19C3	4x 2.5mm PIN TERMINI	19C7	2x 2.5mm PIN TERMINI
	2x #16 PIN CONTACT		2x #16 PIN CONTACT		2x #16 PIN CONTACT		2x #16 PIN CONTACT
	3x 2.5mm SKT TERMINI		1x 2.5mm SKT TERMINI	4x 2.5mm SKT TERMINI	2x 2.5mm SKT TERMINI		
	2x #16 SOCKET CONTACT		2x #16 SOCKET CONTACT	2x #16 SOCKET CONTACT	2x #16 SOCKET CONTACT		












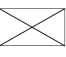
*For PIN/SOCKET Configuration, PIN Layout Shown

LEGEND	2.5 mm Termini	2.5 mm APC Termini	Size 16 Contact	Size 12 Contact	Size 8 Contact	MT
PIN						
SOCKET						

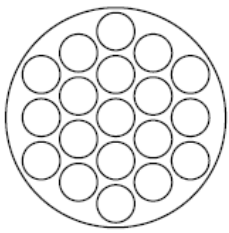
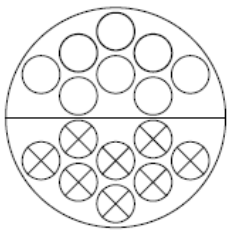
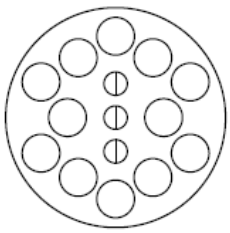
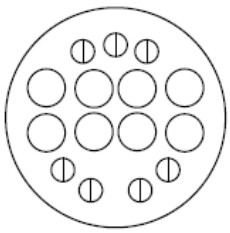
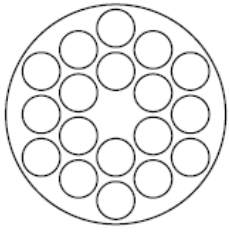
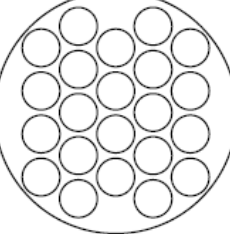
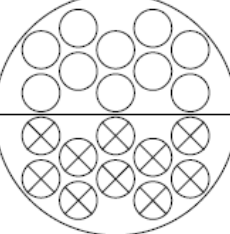
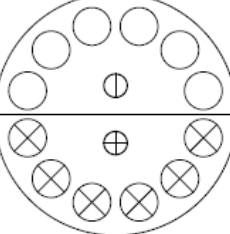
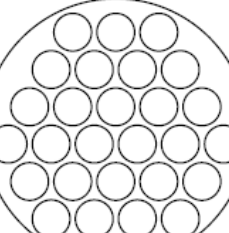
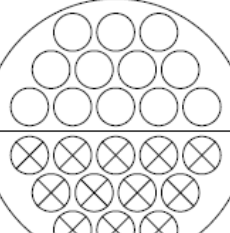
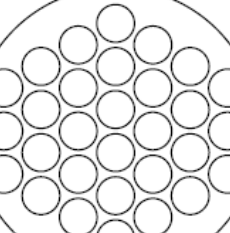
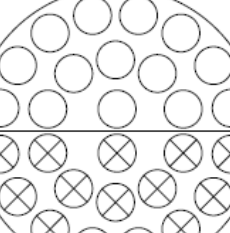
QLink Insert Layouts (Shell Sizes 21 – 23):

Shell Size / Insert Designator:							
							
PIN / SOCKET		HERMAPHRODITIC		PIN / SOCKET MT		HERMAPHRODITIC MT	
21A1	10x 2.5mm PIN TERMINI	21A3	5x 2.5mm PIN TERMINI	21A4	6x MT PIN	21A6	3x MT PIN 3x MT SKT
21A2	10x 2.5mm SKT TERMINI		5x 2.5mm SKT TERMINI		21A5		
21A7	10x 2.5mm PIN TERMINI, APC	5x 2.5mm PIN TERMINI, APC	5x 2.5mm SKT TERMINI, APC				
21A8	10x 2.5mm SKT TERMINI, APC						
							
PIN / SOCKET		HERMAPHRODITIC		PIN / SOCKET HYBRID		HERMAPHRODITIC HYBRID	
23A1	14x 2.5mm PIN TERMINI	23A3	6x 2.5mm PIN TERMINI	23B1	4x 2.5mm PIN TERMINI	23B3	3x 2.5mm PIN TERMINI 2x #16 PIN CONTACT 3x 2.5mm SKT TERMINI 2x #16 SKT CONTACT
23A2	14x 2.5mm SKT TERMINI		6x 2.5mm SKT TERMINI		23B2		
23A7	14x 2.5mm PIN TERMINI, APC	6x 2.5mm PIN TERMINI, APC	4x 2.5mm SKT TERMINI 4x #8 SKT CONTACT 2x #16 SKT CONTACT				
23A8	14x 2.5mm SKT TERMINI, APC	23A9	6x 2.5mm SKT TERMINI, APC				
							
PIN / SOCKET HYBRID		PIN / SOCKET HYBRID		HERMAPHRODITIC		PIN / SOCKET HYBRID	
23B5	8x 2.5mm PIN TERMINI 7x #16 PIN CONTACT	23B7	5x 2.5mm PIN TERMINI	23B9	5x 2.5mm PIN TERMINI 5x 2.5mm SKT TERMINI	23C5	4x 2.5mm PIN TERMINI
23B6	8x 2.5mm SKT TERMINI 7x #16 SKT CONTACT		7x #16 PIN CONTACT				7x #16 PIN CONTACT
	23B8	5x 2.5mm SKT TERMINI 7x #16 SKT CONTACT	4x 2.5mm SKT TERMINI 6x #8 SKT CONTACT				

*For PIN/SOCKET Configuration, PIN Layout Shown

LEGEND	2.5 mm Termini	2.5 mm APC Termini	Size 16 Contact	Size 12 Contact	Size 8 Contact	MT
PIN						
SOCKET						

QLink Insert Layouts (Shell Sizes 25 – 31):

Shell Size / Insert Designator:							
							
PIN / SOCKET		HERMAPHRODITIC		PIN / SOCKET HYBRID		PIN / SOCKET HYBRID	
25A1	19x 2.5mm PIN TERMINI	25A3	8x 2.5mm PIN TERMINI	25B1	12x 2.5mm PIN TERMINI	25B5	8x 2.5mm PIN TERMINI
25A2	19x 2.5mm SKT TERMINI		8x 2.5mm SKT TERMINI		3x #16 PIN CONTACT		7x #16 PIN CONTACT
25A7	19x 2.5mm PIN TERMINI, APC	25A9	8x 2.5mm PIN TERMINI, APC	25B2	12x 2.5mm SKT TERMINI	25B6	8x 2.5mm SKT TERMINI
25A8	19x 2.5mm SKT TERMINI, APC		8x 2.5mm SKT TERMINI, APC		3x #16 SKT CONTACT		7x #16 SKT CONTACT
							
PIN / SOCKET		PIN / SOCKET		HERMAPHRODITIC		HERMAPHRODITIC HYBRID	
25B7	18x 2.5mm PIN TERMINI	27A1	22x 2.5mm PIN TERMINI	27A3	10x 2.5mm PIN TERMINI	27B1	6x 2.5mm PIN TERMINI
		27A2	22x 2.5mm SKT TERMINI		10x 2.5mm SKT TERMINI		1x #16 PIN CONTACT
25B8	18x 2.5mm SKT TERMINI	27A7	22x 2.5mm PIN TERMINI, APC	27A9	10x 2.5mm PIN TERMINI, APC	27B1	6x 2.5mm SKT TERMINI
		27A8	22x 2.5mm SKT TERMINI, APC		10x 2.5mm SKT TERMINI, APC		1x #16 SKT CONTACT
							
PIN / SOCKET		HERMAPHRODITIC		PIN / SOCKET		HERMAPHRODITIC	
29A1	27x 2.5mm PIN TERMINI	29A3	12x 2.5mm PIN TERMINI	31A1	30x 2.5mm PIN TERMINI	31A3	14x 2.5mm PIN TERMINI
29A2	27x 2.5mm SKT TERMINI		12x 2.5mm SKT TERMINI	31A2	30x 2.5mm SKT TERMINI		14x 2.5mm SKT TERMINI
29A7	27x 2.5mm PIN TERMINI, APC	29A9	12x 2.5mm PIN TERMINI, APC	31A7	30x 2.5mm PIN TERMINI, APC	31A9	14x 2.5mm PIN TERMINI, APC
29A8	27x 2.5mm SKT TERMINI, APC		12x 2.5mm SKT TERMINI, APC	31A8	30x 2.5mm SKT TERMINI, APC		14x 2.5mm SKT TERMINI, APC

*For PIN/SOCKET Configuration, PIN Layout Shown












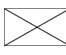
LEGEND	2.5 mm Termini	2.5 mm APC Termini	Size 16 Contact	Size 12 Contact	Size 8 Contact	MT
PIN						
SOCKET						

Table I – QLink Strain Relief Options (Plugs / Receptacles with Backshell):

Shell Sizes 13 & 15				
Cable OD in (mm)	Boot / Bend Limiter		Wire Mesh Grip	
	Strain Relief Identifier	Length in (mm)	Strain Relief Identifier	Length in (mm)
0.142 - 0.177 (3.6 - 4.5)	S045	1.45 (36.8)	-	-
0.181 - 0.217 (4.6 - 5.5)	S055	1.45 (36.8)	-	-
0.220 - 0.256 (5.6 - 6.5)	S065	1.45 (36.8)	-	-
0.260 - 0.295 (6.6 - 7.5)	S075	0.97 (24.6)	-	-
0.299 - 0.335 (7.6 - 8.5)	S085	0.38 (9.7)	-	-
0.339 - 0.374 (8.6 - 9.5)	S095	0.38 (9.7)	-	-

Shell Size 17				
Cable OD in (mm)	Boot / Bend Limiter		Wire Mesh Grip	
	Strain Relief Identifier	Length in (mm)	Strain Relief Identifier	Length in (mm)
0.142 - 0.177 (3.6 - 4.5)	S045	1.45 (36.8)	-	-
0.181 - 0.217 (4.6 - 5.5)	S055	1.45 (36.8)	-	-
0.220 - 0.256 (5.6 - 6.5)	S065	1.45 (36.8)	-	-
0.260 - 0.295 (6.6 - 7.5)	S075	0.97 (24.6)	G075	6.00 (152.4)
0.299 - 0.335 (7.6 - 8.5)	S085	0.38 (9.7)	G085	6.00 (152.4)
0.339 - 0.374 (8.6 - 9.5)	S095	0.38 (9.7)	G095	6.00 (152.4)
0.378 - 0.413 (9.6 - 10.5)	-	-	G105	6.75 (171.4)
0.417 - 0.453 (10.6 - 11.5)	-	-	G115	6.75 (171.4)

Table I – QLink Strain Relief Options (Plugs / Receptacles with Backshell):

Shell Size 19				
Cable OD in (mm)	Boot / Bend Limiter		Wire Mesh Grip	
	Strain Relief Identifier	Length in (mm)	Strain Relief Identifier	Length in (mm)
0.142 - 0.177 (3.6 - 4.5)	S045	1.45 (36.8)	-	-
0.181 - 0.217 (4.6 - 5.5)	S055	1.45 (36.8)	-	-
0.220 - 0.256 (5.6 - 6.5)	S065	1.45 (36.8)	-	-
0.260 - 0.295 (6.6 - 7.5)	S075	0.97 (24.6)	G075	6.00 (152.4)
0.299 - 0.335 (7.6 - 8.5)	S085	0.38 (9.7)	G085	6.00 (152.4)
0.339 - 0.374 (8.6 - 9.5)	S095	0.38 (9.7)	G095	6.00 (152.4)
0.378 - 0.413 (9.6 - 10.5)	-	-	G105	6.75 (171.4)
0.417 - 0.453 (10.6 - 11.5)	-	-	G115	6.75 (171.4)
0.457 - 0.492 (11.6 - 12.5)	-	-	G125	6.75 (171.4)

Shell Sizes 21 & 23				
Cable OD in (mm)	Boot / Bend Limiter		Wire Mesh Grip	
	Strain Relief Identifier	Length in (mm)	Strain Relief Identifier	Length in (mm)
0.142 - 0.177 (3.6 - 4.5)	S045	1.45 (36.8)	-	-
0.181 - 0.217 (4.6 - 5.5)	S055	1.45 (36.8)	-	-
0.220 - 0.256 (5.6 - 6.5)	S065	1.45 (36.8)	-	-
0.260 - 0.295 (6.6 - 7.5)	S075	1.45 (36.8)	G075	6.00 (152.4)
0.299 - 0.335 (7.6 - 8.5)	S085	1.45 (36.8)	G085	6.00 (152.4)
0.339 - 0.374 (8.6 - 9.5)	S095	1.45 (36.8)	G095	6.00 (152.4)
0.378 - 0.413 (9.6 - 10.5)	S105	1.45 (36.8)	G105	6.75 (171.4)
0.417 - 0.453 (10.6 - 11.5)	S115	1.45 (36.8)	G115	6.75 (171.4)
0.457 - 0.492 (11.6 - 12.5)	S125	1.45 (36.8)	G125	6.75 (171.4)
0.496 - 0.531 (12.6 - 13.5)	-	-	G135	7.25 (184.1)
0.535 - 0.571 (13.6 - 14.5)	-	-	G145	7.25 (184.1)
0.575 - 0.610 (14.6 - 15.5)	-	-	G155	7.25 (184.1)
0.614 - 0.689 (15.6 - 17.5)	-	-	G175	9.00 (228.6)

* Consult QPC if Cable OD Exceeds 12.5mm for 90 Degree Backshells. Feasibility will depend on cable construction / flexibility.

Table I – QLink Strain Relief Options (Plugs / Receptacles with Backshell):

Shell Sizes 25, 27, 29, & 31				
Cable OD in (mm)	Boot / Bend Limiter		Wire Mesh Grip	
	Strain Relief Identifier	Length in (mm)	Strain Relief Identifier	Length in (mm)
0.142 - 0.177 (3.6 - 4.5)	S045	1.45 (36.8)	-	-
0.181 - 0.217 (4.6 - 5.5)	S055	1.45 (36.8)	-	-
0.220 - 0.256 (5.6 - 6.5)	S065	1.45 (36.8)	-	-
0.260 - 0.295 (6.6 - 7.5)	S075	1.45 (36.8)	G075	6.00 (152.4)
0.299 - 0.335 (7.6 - 8.5)	S085	1.45 (36.8)	G085	6.00 (152.4)
0.339 - 0.374 (8.6 - 9.5)	S095	1.45 (36.8)	G095	6.00 (152.4)
0.378 - 0.413 (9.6 - 10.5)	S105	1.45 (36.8)	G105	6.75 (171.4)
0.417 - 0.453 (10.6 - 11.5)	S115	1.45 (36.8)	G115	6.75 (171.4)
0.457 - 0.492 (11.6 - 12.5)	S125	1.45 (36.8)	G125	6.75 (171.4)
0.496 - 0.531 (12.6 - 13.5)	-	-	G135	7.25 (184.1)
0.535 - 0.571 (13.6 - 14.5)	-	-	G145	7.25 (184.1)
0.575 - 0.610 (14.6 - 15.5)	-	-	G155	7.25 (184.1)
0.614 - 0.689 (15.6 - 17.5)	-	-	G175	9.00 (228.6)
0.692 - 0.748 (17.6 - 19.0)	-	-	G190	9.00 (228.6)
0.751 - 0.807 (19.1 - 20.5)	-	-	G205	9.00 (228.6)
0.811 - 0.866 (20.6 - 22.0)	-	-	G220	9.00 (228.6)
0.870 - 0.925 (22.1 - 23.5)	-	-	G235	9.00 (228.6)
0.929 - 0.984 (23.6 - 25.0)	-	-	G250	9.00 (228.6)

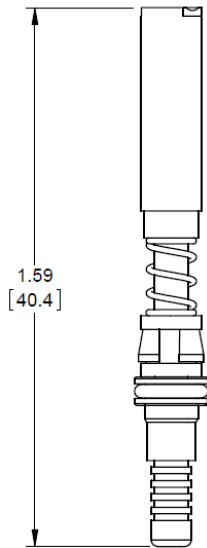
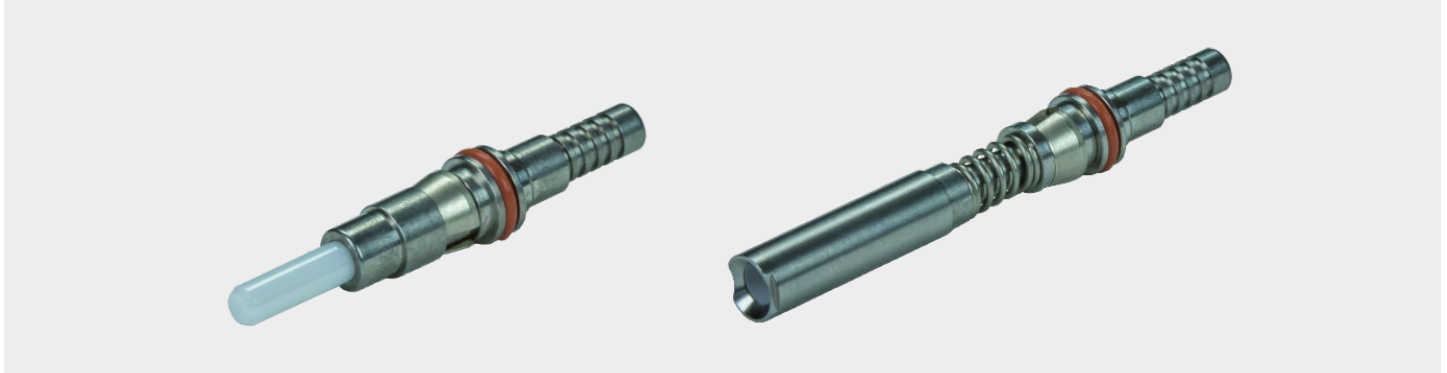
* Consult QPC if Cable OD Exceeds 17.5mm for 45 or 90 Degree Backshells. Feasibility will depend on cable construction / flexibility.

Table II – For Plugs / Receptacles without Backshell:

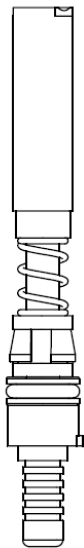
Cable OD	Strain Relief Identifier
900µm	S00

* QLink Connectors without Backshells using 2mm / 3mm OD simplex cables will require termini with crimps, see page 43 -44 for ordering information.

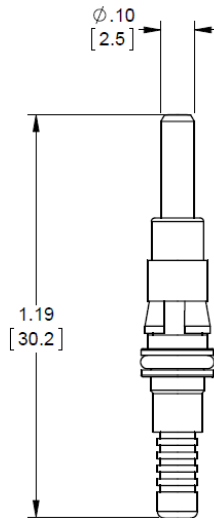
QLink Pin & Socket Termini (2.5mm Fiber Optic):



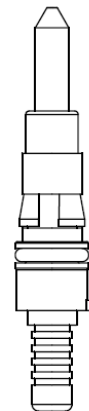
QLINK-TRM-S125U



QLINK-TRM-S125A



QLINK-TRM-P125U



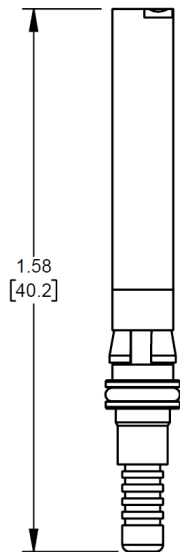
QLINK-TRM-P125A

PART NUMBER	DESCRIPTION
QLINK-TRM-P125U	Termini, Pin, 2.5mm Front Release, 125.5 Micron
QLINK-TRM-S125U	Termini, Socket, 2.5mm Front Release, 125.5 Micron
QLINK-TRM-P125A ¹	Termini, Pin, 2.5mm Front Release, 125.5 Micron APC, Keyed
QLINK-TRM-S125A ¹	Termini, Socket, 2.5mm Front Release, 125.5 Micron APC, Keyed
QLINK-CMP-2MM	Crimp Sleeve, 2.0mm, Stainless Steel
QLINK-CMP-3MM	Crimp Sleeve, 3.0mm, Stainless Steel

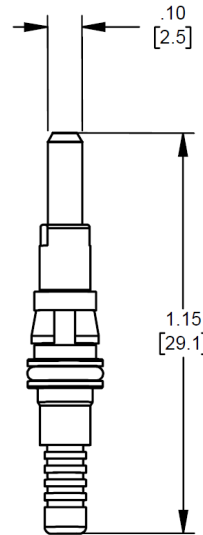
* Ferrules for other fiber sizes are available

¹ APC Configuration comes with Keyed Body

QLink Pin & Socket Expanded Beam Termini:



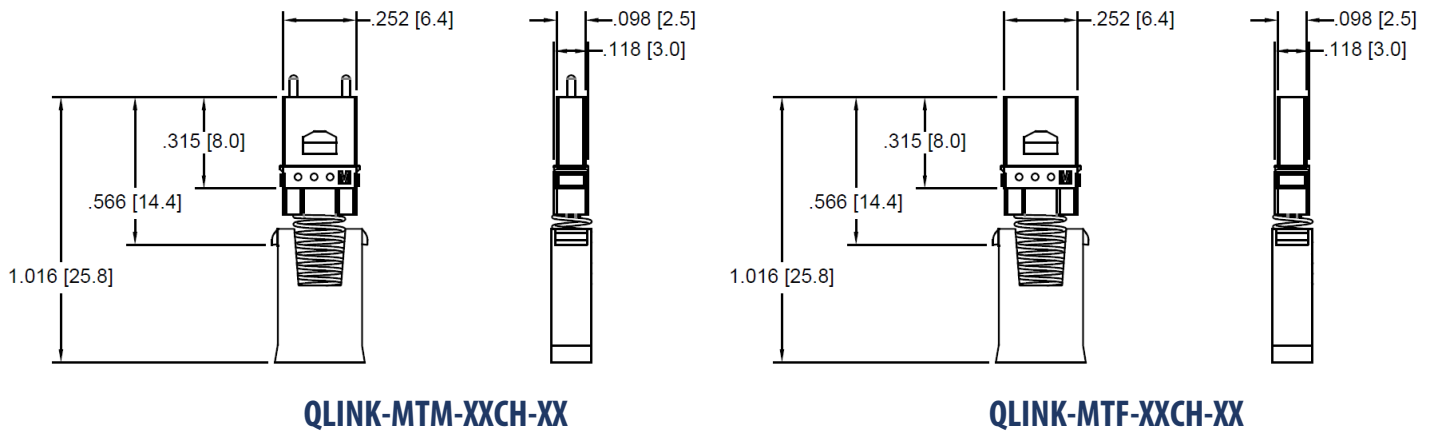
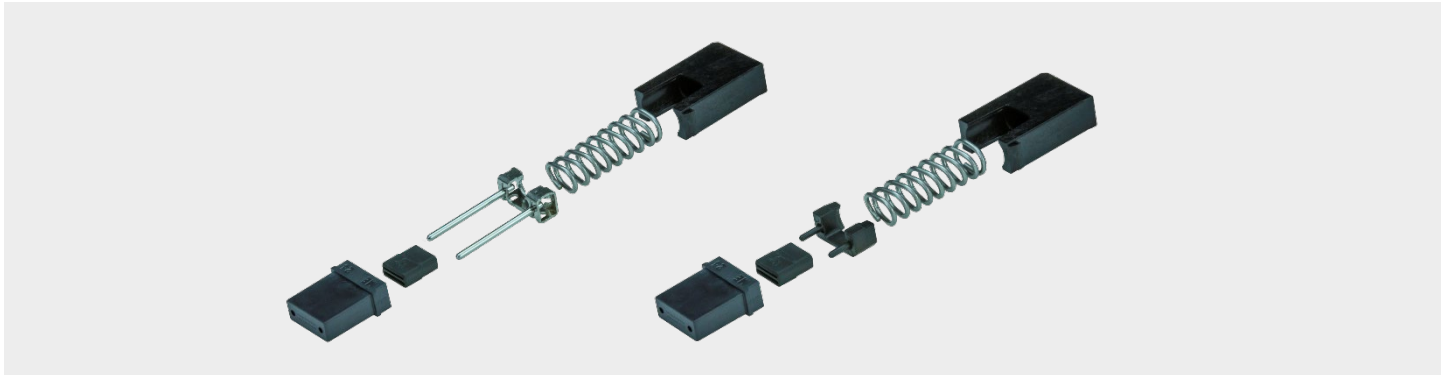
QLINK-TRM-S125B-



QLINK-TRM-P125B-XX

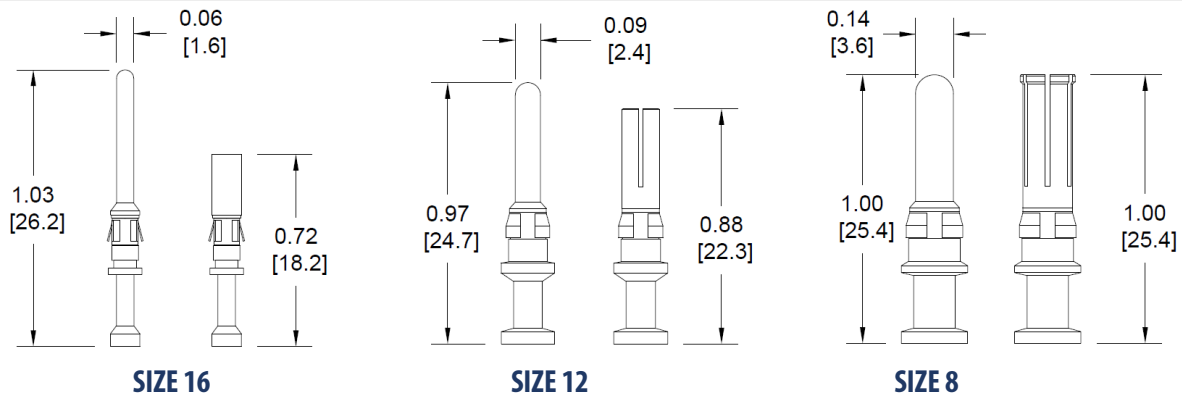
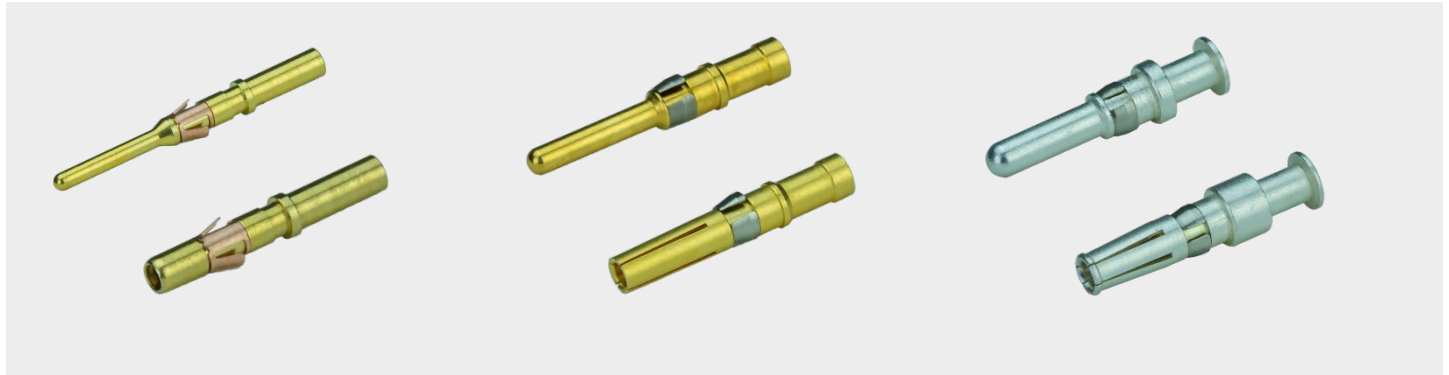
PART NUMBER	DESCRIPTION
QLINK-TRM-P125B-SM	Termini, Pin, 2.5mm Front Release, 125.5 Micron, Singlemode
QLINK-TRM-S125B-SM	Termini, Socket, 2.5mm Front Release, 125.5 Micron, Singlemode
QLINK-TRM-P125B-MM	Termini, Pin, 2.5mm Front Release, 125.5 Micron, Multimode
QLINK-TRM-S125B-MM	Termini, Socket, 2.5mm Front Release, 125.5 Micron, Multimode
QLINK-CMP-2MM	Crimp Sleeve, 2.0mm, Stainless Steel
QLINK-CMP-3MM	Crimp Sleeve, 3.0mm, Stainless Steel

QLink MT Ferrule Kits:



PART NUMBER	DESCRIPTION
QLINK-MTM-12CH -SM	Ferrule, Kit, MT, Male (with pins), 12 Fiber, SM
QLINK-MTF-12CH -SM	Ferrule, Kit, MT, Female (without pins), 12 Fiber, SM
QLINK-MTM-12CH-MM	Ferrule, Kit, MT, Male (with pins), 12 Fiber, MM
QLINK-MTF-12CH -MM	Ferrule, Kit, MT, Female (without pins), 12 Fiber, MM
QLINK-MTM-24CH-SM	Ferrule, Kit, MT, Male (with pins), 24 Fiber, SM
QLINK-MTF-24CH-SM	Ferrule, Kit, MT, Female (without pins), 24 Fiber, SM
QLINK-MTM-24CH-MM	Ferrule, Kit, MT, Male (with pins), 24 Fiber, MM
QLINK-MTF-24CH-MM	Ferrule, Kit, MT, Female (without pins), 24 Fiber, MM

QLink Pin & Socket Power / Signal Copper Contacts:



PART NUMBER	DESCRIPTION
QLINK-CTC-1624P	QLink Contact, Size 16, Gold Plating, 24-26 AWG Wire, Pin
QLINK-CTC-1624S	QLink Contact, Size 16, Gold Plating, 24-26 AWG Wire, Skt
QLINK-CTC-1620P	QLink Contact, Size 16, Gold Plating, 20-22 AWG Wire, Pin
QLINK-CTC-1620S	QLink Contact, Size 16, Gold Plating, 20-22 AWG Wire, Skt
QLINK-CTC-1616P	QLink Contact, Size 16, Gold Plating, 16-20 AWG Wire, Pin
QLINK-CTC-1616S	QLink Contact, Size 16, Gold Plating, 16-20 AWG Wire, Skt
QLINK-CTC-1614P	QLink Contact, Size 16, Gold Plating, 14-16 AWG Wire, Pin
QLINK-CTC-1614S	QLink Contact, Size 16, Gold Plating, 14-16 AWG Wire, Skt
QLINK-CTC-1214P	QLink Contact, Size 12, Gold Plating, 14 AWG Wire, Pin
QLINK-CTC-1214S	QLink Contact, Size 12, Gold Plating, 14 AWG Wire, Skt
QLINK-CTC-1212P	QLink Contact, Size 12, Gold Plating, 12 AWG Wire, Pin
QLINK-CTC-1212S	QLink Contact, Size 12, Gold Plating, 12 AWG Wire, Skt
QLINK-CTC-0812P	QLink Contact, Size 8, Silver Plating, 12 AWG Wire, Pin
QLINK-CTC-0812S	QLink Contact, Size 8, Silver Plating, 12 AWG Wire, Skt
QLINK-CTC-0810P	QLink Contact, Size 8, Silver Plating, 10 AWG Wire, Pin
QLINK-CTC-0810S	QLink Contact, Size 8, Silver Plating, 10 AWG Wire, Skt
QLINK-CTC-0808P	QLink Contact, Size 8, Silver Plating, 8 AWG Wire, Pin
QLINK-CTC-0808S	QLink Contact, Size 8, Silver Plating, 8 AWG Wire, Skt

QLink Tools:

PART NUMBER	DESCRIPTION
TK-054	QLink Tool Kit (Includes all items below)
PT-005	Fiber Optic Termini Crimp Tool, 2mm & 3mm (Hex Sizes .100 / .125 / .147)
PT-117	QLink Fiber Optic Termini / Size 8 & Size 12 Contact Insertion Tool
PT-596	QLink Size 16 Contact Insertion Tool
PT-443	QLink Size 8 Contact Removal Tool
PT-445	QLink Size 16 Contact Removal Tool
PT-449	QLink Size 12 Contact Removal Tool
PT-446	QLink Fiber Optic Termini Removal Tool
PT-480-INS	MT Fiber Optic Ferrule Insertion Tool
PT-480-REM	MT Fiber Optic Ferrule Removal Tool
PT-560	Standard Adjustable Indent Crimp Tool M22520/1-01, Size 16 Contact
PT-561	Adjustable Hand Crimp Tool, Size 8 & Size 12 Contact
PT-562	Turret Head, Size 16, Pin and Socket, 26-14 AWG (Use with PT-560)
PT-563	Single Position Head, Size 12, Pin and Socket, 14-12 AWG (Use with PT-561)
PT-564	Single Position Head, Size 8, Pin and Socket, 12-8 AWG (Use with PT-561)
PT-485	Modified Needle Nose Pliers for Torquing QLink Socket Termini Sleeve Retainers
PT-486	QLink 2.5mm Fiber Optic Physical Contact Socket Termini Sleeve Retainer Torque Bit
PT-487	QLink 2.5mm Fiber Optic Expanded Beam Socket Termini Sleeve Retainer Torque Tool
PT-488	Torque Screwdriver with Click-Torque Limited 0.1 Nm to 0.34 Nm

QLink Tools:

Tool PN	DESCRIPTION
PT-601	Torque Fixture, QLink, Plate, Size 13, 15, 17, 19, 21
PT-602	Torque Fixture, QLink, Plate, Size 23, 25, 27, 29, 31
PT-600-13-RB	Torque Fixture, QLink, Size 13, Reverse Bayonet
PT-600-13-T	Torque Fixture, QLink, Size 13, Threaded
PT-600-13-H	Torque Fixture, QLink, Size 13, Hermaphroditic
PT-600-15-RB	Torque Fixture, QLink, Size 15, Reverse Bayonet
PT-600-15-T	Torque Fixture, QLink, Size 15, Threaded
PT-600-15-H	Torque Fixture, QLink, Size 15, Hermaphroditic
PT-600-17-RB	Torque Fixture, QLink, Size 17, Reverse Bayonet
PT-600-17-T	Torque Fixture, QLink, Size 17, Threaded
PT-600-17-H	Torque Fixture, QLink, Size 17, Hermaphroditic
PT-600-19-RB	Torque Fixture, QLink, Size 19, Reverse Bayonet
PT-600-19-T	Torque Fixture, QLink, Size 19, Threaded
PT-600-19-H	Torque Fixture, QLink, Size 19, Hermaphroditic
PT-600-21-RB	Torque Fixture, QLink, Size 21, Reverse Bayonet
PT-600-21-T	Torque Fixture, QLink, Size 21, Threaded
PT-600-21-H	Torque Fixture, QLink, Size 21, Hermaphroditic
PT-600-23-RB	Torque Fixture, QLink, Size 23, Reverse Bayonet
PT-600-23-T	Torque Fixture, QLink, Size 23, Threaded
PT-600-23-H	Torque Fixture, QLink, Size 23, Hermaphroditic
PT-600-25-T	Torque Fixture, QLink, Size 25, Threaded
PT-600-25-H	Torque Fixture, QLink, Size 25, Hermaphroditic
PT-600-27-T	Torque Fixture, QLink, Size 27, Threaded
PT-600-27-H	Torque Fixture, QLink, Size 27, Hermaphroditic
PT-600-29-T	Torque Fixture, QLink, Size 29, Threaded
PT-600-29-H	Torque Fixture, QLink, Size 29, Hermaphroditic
PT-600-31-T	Torque Fixture, QLink, Size 31, Threaded
PT-600-31-H	Torque Fixture, QLink, Size 31, Hermaphroditic

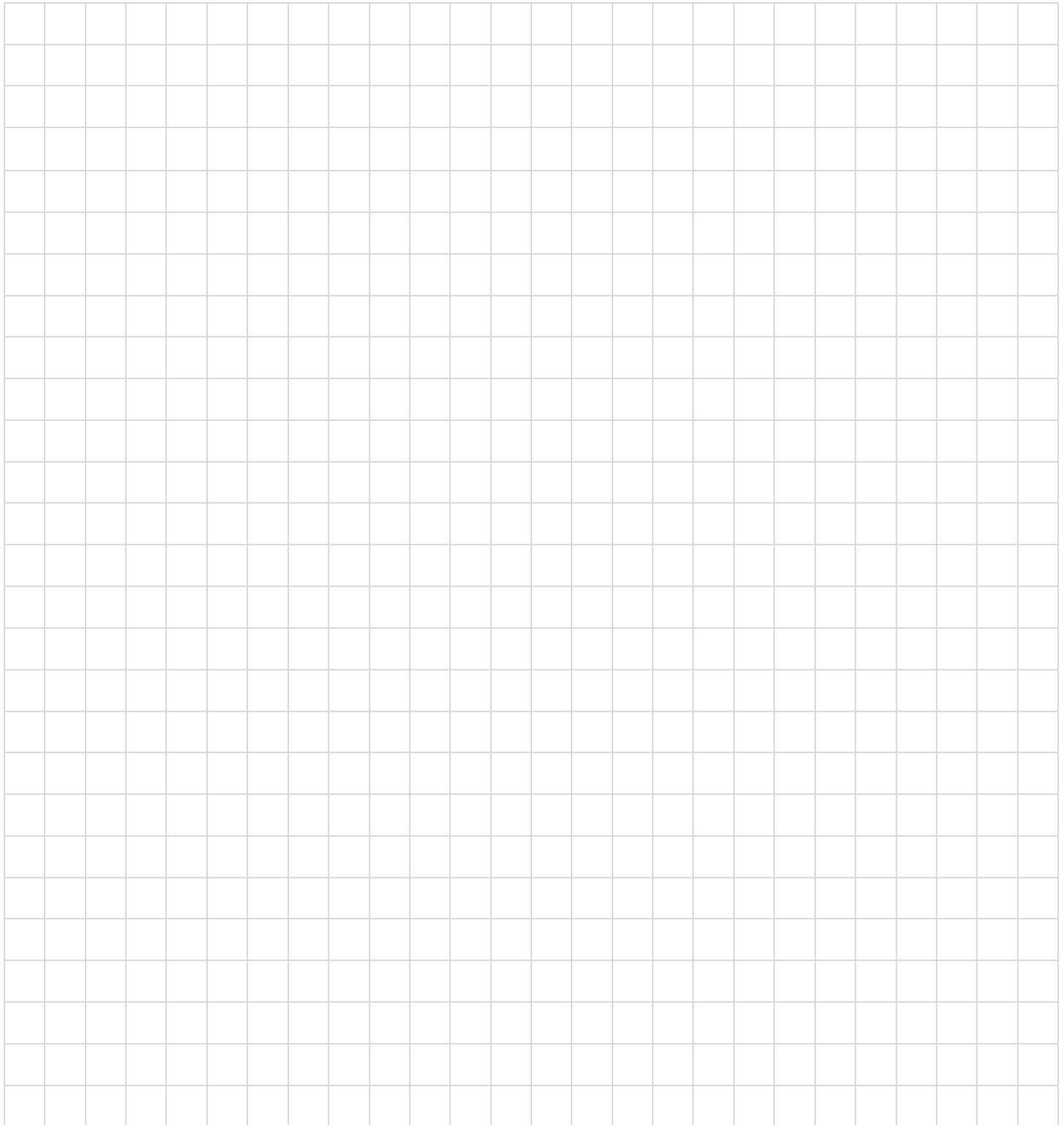
Notes & Sketches:

A large grid area for notes and sketches, consisting of 20 columns and 30 rows of small squares.

Notes & Sketches:

A large grid area for notes and sketches, consisting of 20 columns and 30 rows of small squares.

Notes & Sketches:

A large grid area for notes and sketches, consisting of 20 columns and 30 rows of small squares.



ENGINEERED FIBER OPTIC SOLUTIONS

Military Aerospace Shipboard Industrial Mining Transportation Oil & Gas Broadcast Manufacturing Marine Energy Medical

